

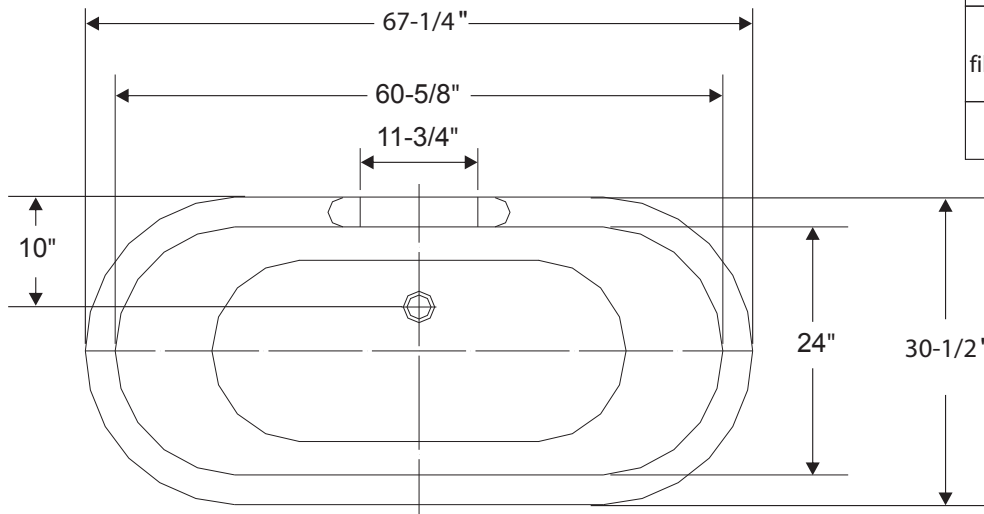


*Elizabethan
Classics*

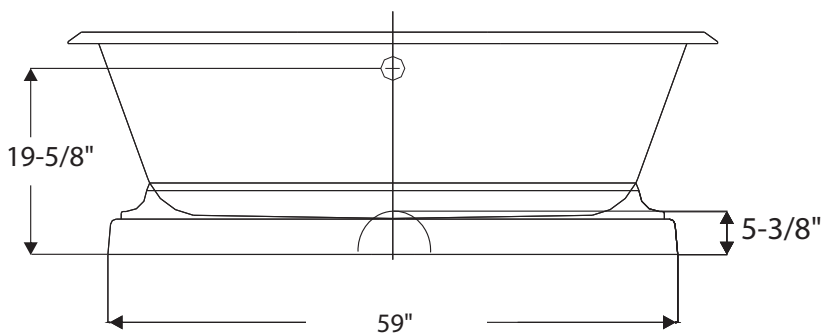
Specification for ECDUPLNOHOLE

Hole	Diameter
Drain	2" +/- 1/8
Over Flow	2-1/4" +/- 3/16
Faucet	-----
Capacity	55.480 US Gallon
Weight of Tub filled with water	973.05 lbs
Bathing well	49-5/8" X 18-1/2"

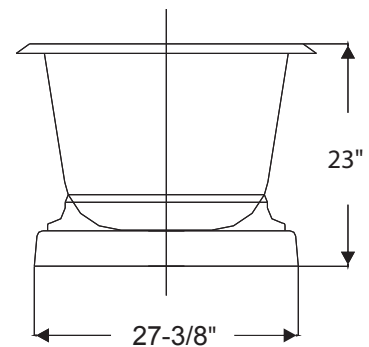
Top View



Side View



End View



Date:10/2/09'