

Highlights

- IP x IP Less Stops
- Pforever Warranty®
- Valve Only

Code Compliance

Price Pfister products are designed and manufactured in compliance with the following standards and codes:

- IAPMO certified
- ASME A112.18.1
- CSA B125 certified
- ANSI A117.1 (Lever handles only)

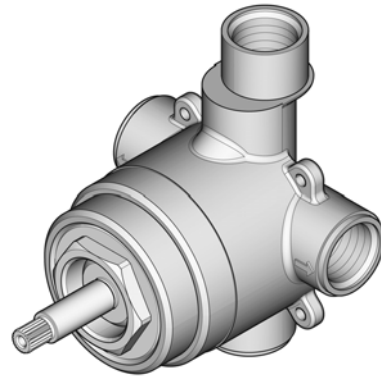
Tub & Shower Valve

Single Handle
Tub & Shower
Valve Only

Finishes	016-600A
Unfinished	X

Features	016-600A
Step-By-Step Installation Instructions	X

Thermostatic 3 Port Diverter Valve (Trim sold Separately)



016-600A

For additional information, please contact your Price Pfister representative, or visit our website at www.pricepfister.com.

Project: _____

Contractor: _____

SS-016-07

1-800-PFAUCET www.pricepfister.com
19701 DaVinci, Lake Forest, CA 92610
10/17/08

Price Pfister®