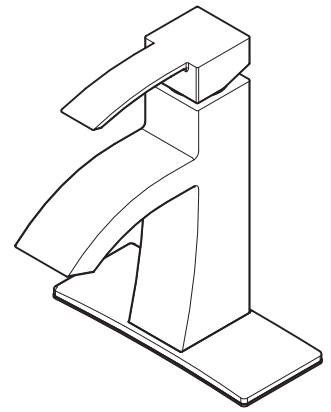


F-042-BNCC Finish(CC)

F-042-BNKK Finish(KK)



Specifications

- Single Control
- 1 or 3-Hole Installation
- Pforever Seal

Features

- All Metal Construction
- 1 or 3-Hole Installation; Deck Plate or Single Hole Mounting Option
- Push & Seal™ Pop-Up
- Pforever Seal Ceramic Disc Valves
- Pforever Warranty®

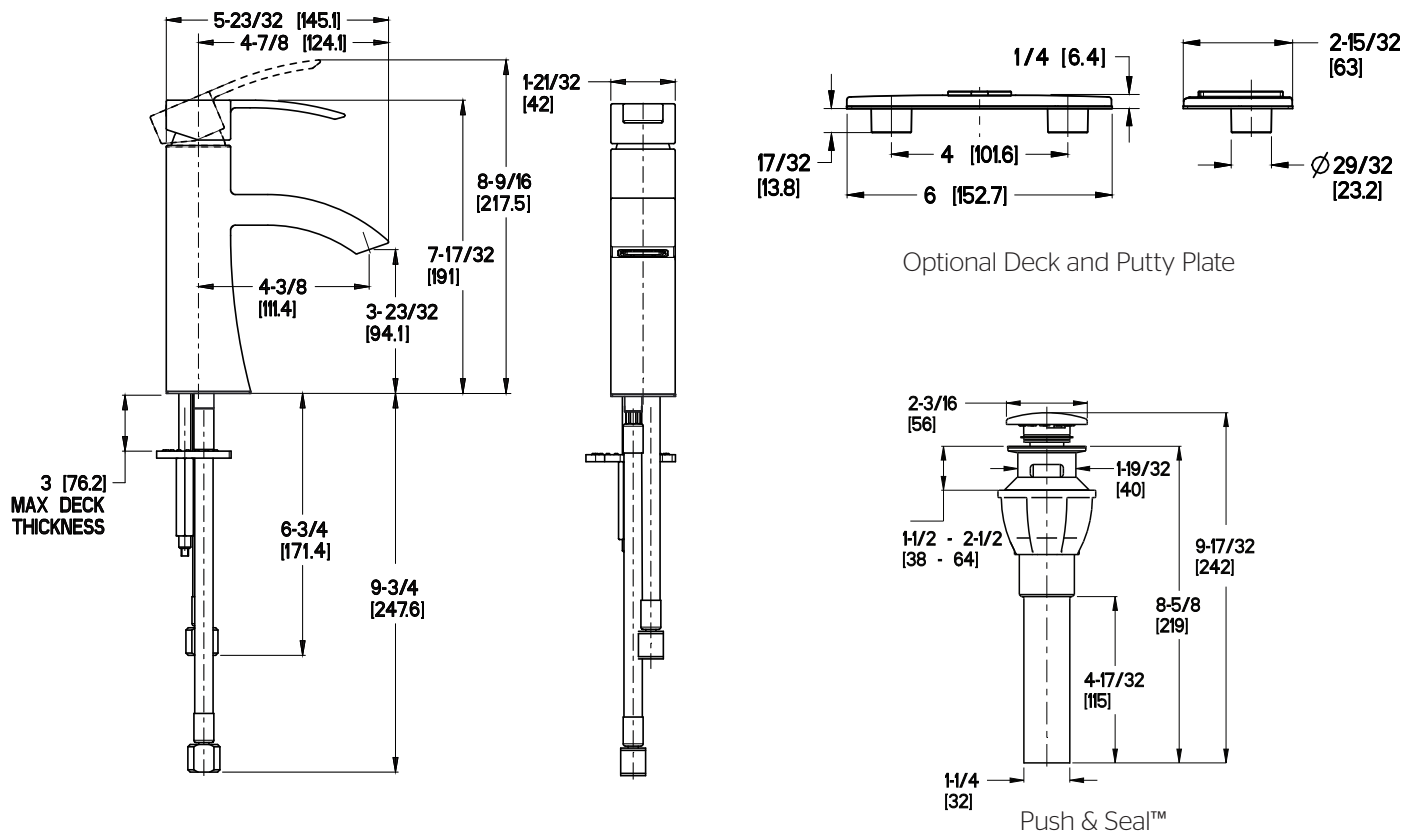
Code Compliance

Pfister products are designed and manufactured in compliance with the following standards and codes:

- IAPMO Certified
- CSA B125 Certified
- ASME A112.18.1
- NSF 61/9 Annex G (Low lead)
- Cal Green Compliant
- EPA WaterSense Certification 1.5 gpm, 5.7 L/Min



Dimensions



Ø1 Min to Ø1-1/2 Max. Deck Hole Openings