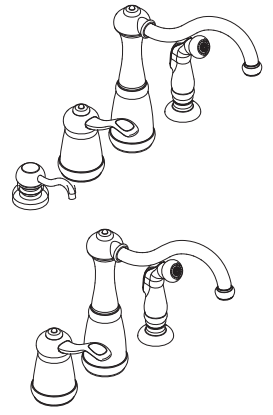


- | | |
|-----------------------------------------------|-----------------------------------------------|
| GT26-3NCC Finish(CC) <input type="checkbox"/> | GT26-4NEE Finish(EE) <input type="checkbox"/> |
| GT26-3NSS Finish(SS) <input type="checkbox"/> | GT26-4NRR Finish(RR) <input type="checkbox"/> |
| GT26-3NYY Finish(YY) <input type="checkbox"/> | GT26-4NSS Finish(SS) <input type="checkbox"/> |
| GT26-4NCC Finish(CC) <input type="checkbox"/> | GT26-4NUU Finish(UU) <input type="checkbox"/> |
| | GT26-4NYY Finish(YY) <input type="checkbox"/> |



Specifications

- Single Control
- 3 or 4-Hole Installation

Features

- Soap/ Lotion Dispenser Included (4N Only)
- High Arc Decorative Spout
- Flexible Stainless Steel Connections
- Quick Connect Installation
- Up to 2 1/2" of Deck Clearance
- 3-Hole Installation (3N Only)
- 4-Hole Installation (4N Only)
- 2.2 GPM (8.33 L/M) Flow Rate
- Includes Matching Side Spray
- Quick Connect Side Spray
- Pforever Seal Ceramic Disc Valve
- Pforever Warranty®

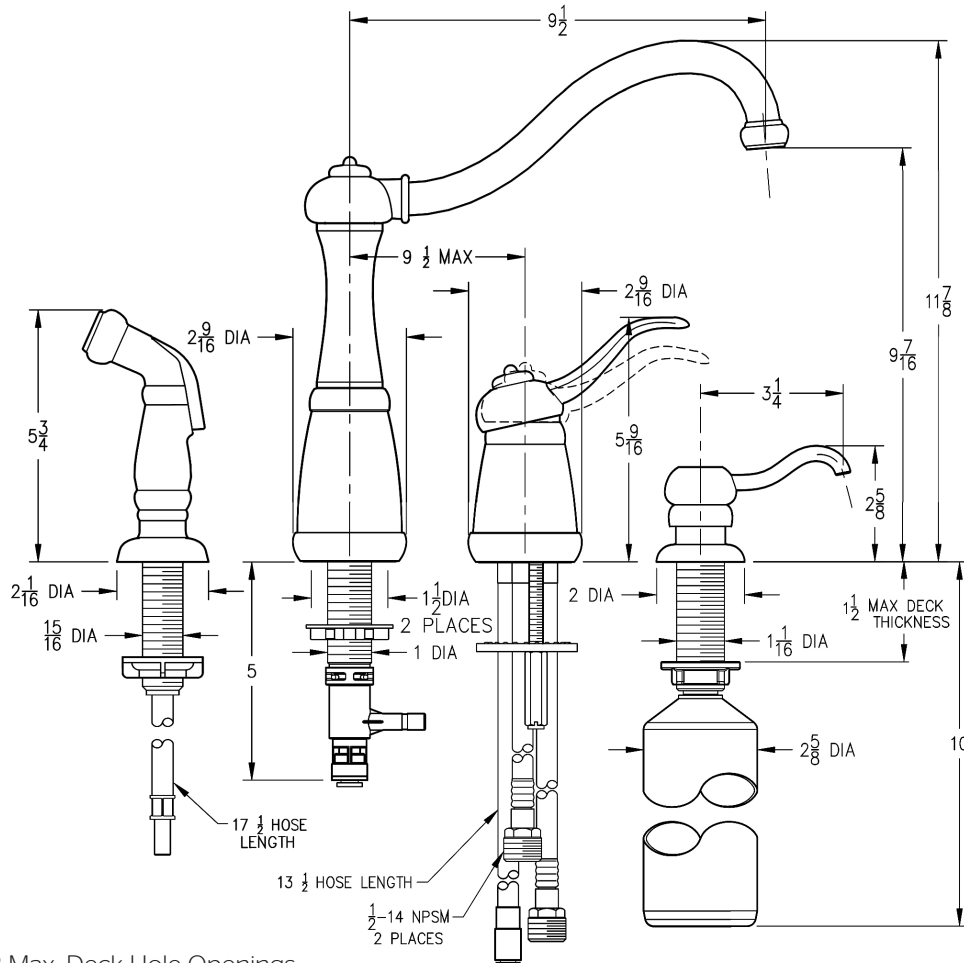
Code Compliance

Pfister products are designed and manufactured in compliance with the following standards and codes:

- IAPMO Certified
- CSA B125 Certified
- ASME A112.18.1
- NSF 61/9 Annex G (Low lead)
- ADA Compliant-ANSI A117.1 (Lever handles only)



Dimensions



Ø1-3/8 Min to Ø1-1/2 Max. Deck Hole Openings