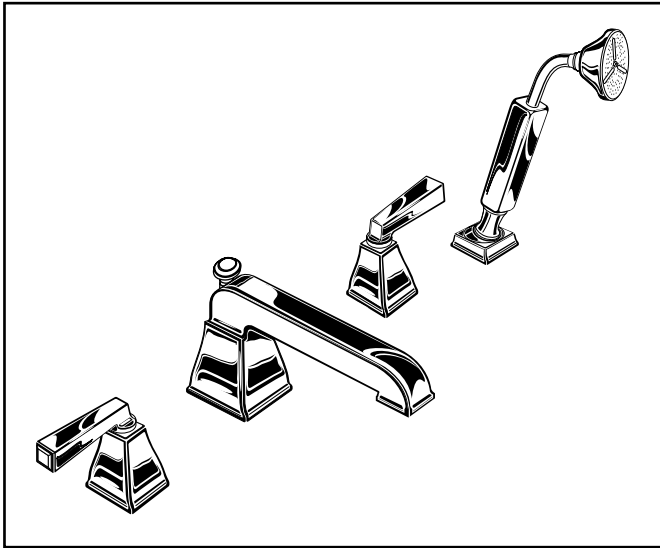


American Standard

Town Square

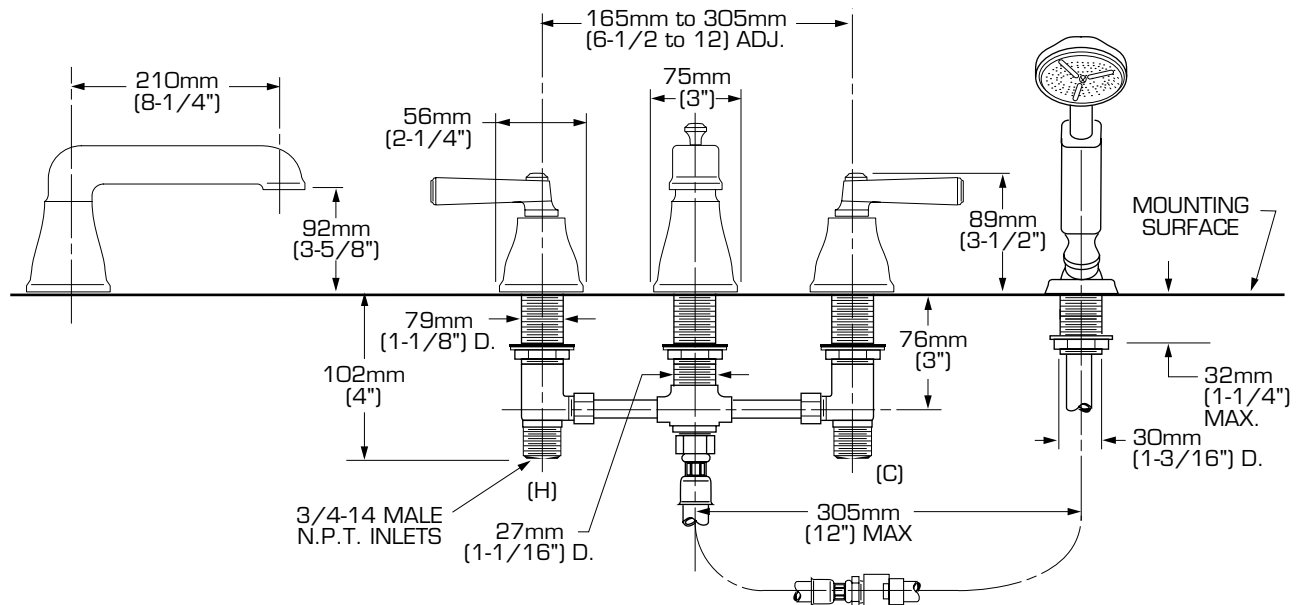
DECK-MOUNT TUB FILLER



2555.901 Shown.

MODEL NUMBER:

- 2555.901 Deck-Mount Tub Filler**
 Personal shower. Metal Lever handles.
- 2555.900 Deck-Mount Tub Filler**
 Less personal shower. Metal Lever handles.



GENERAL DESCRIPTION:

Durable cast brass spout with built-in diverter (on 2555.901). Rigid brass and copper waterway below deck provided for 12" installations (can be cut for 8" installations). Brass valve bodies with 3/4" NPT inlets. 1/4 turn washerless ceramic disc valve cartridges. Personal shower features a 6-1/2' long hose (1-1/2' heavy duty hose and 5' decorative hose.) 2.5 gpm/9.5L/min. maximum flow rate.

PRODUCT FEATURES:

Brass Construction: Durable. Ideal for prolonged contact with water. Provides the finest surface for application of all finishes.

Ceramic Disc Valve Cartridges: Assures a lifetime of drip-free performance.

Exclusive Handle Alignment System: Allows fine tuning of handle position.

Choice of Finishes: Available in Polished Chrome, Polished Brass (PVD) and Satin (PVD).

SUGGESTED SPECIFICATION:

Two handle deck-mount tub filler shall feature cast brass construction with brass and copper waterway. Shall also feature 1/4 turn washerless ceramic disc valve cartridges. Fitting shall be American Standard Model #2555.____.

American Standard

Town Square

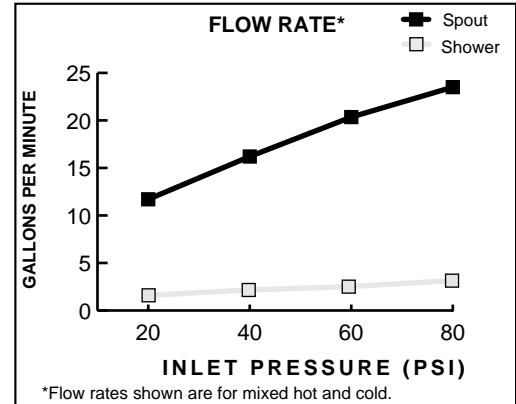
DECK-MOUNT TUB FILLER

CODES AND STANDARDS


These products meet or exceed the following codes and standards:

ASME A112.18.1M
CSA B125

Check local plumbing codes. Some installations may require a vacuum breaker.



Product Number	Description	Finish Options		
		Polished Chrome	PVD Polished Brass	PVD Satin
		002	099	295
2555.901	Deck-Mount Tub Filler. Personal shower. Metal Lever handles.			
2555.900	Deck-Mount Tub Filler. Less personal shower. Metal Lever handles.			

 Meets the American Disabilities Act Guidelines and **ANSI A117.1** Requirements for the physically challenged.