

American Standard

HERITAGE AMARILIS

TWO-HANDLE BOTTOM-MOUNT KITCHEN FAUCET WITH BRASS GOOSENECK SPOUT

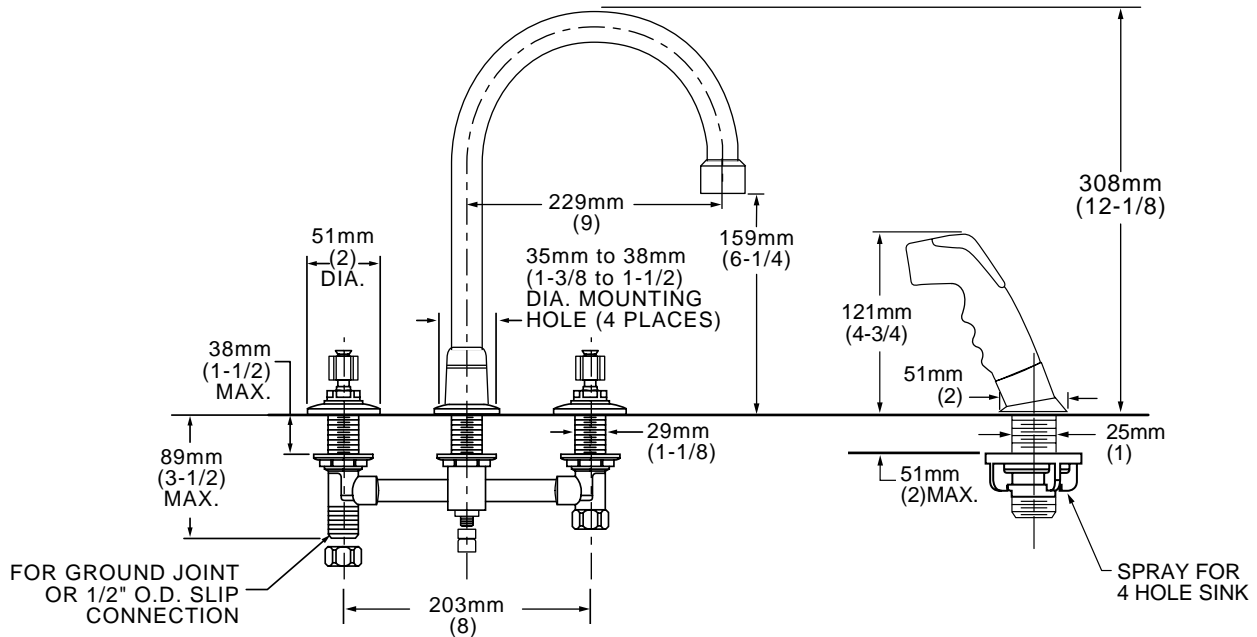


7231.000 Shown. Handles must be ordered separately.

MODEL NUMBER:

- 7231.000 Bottom-Mount Kitchen Faucet
Hand spray. Less handles.
- 7230.000 Bottom-Mount Kitchen Faucet
Less spray. Less handles.

Handles must be ordered separately.



GENERAL DESCRIPTION:

Durable brass construction. Amaris 1/4 turn washerless ceramic disc valve cartridges - reversible for use with either lever or round handles. One-half inch male inlet shanks with brass coupling nuts. Brass swing spout. 2.2gpm/8.3L/min. maximum flow rate.

PRODUCT FEATURES:

Brass Construction: Durable - Excellent in high use applications. Ideal for prolonged contact with water. Provides the finest surface for application of colors and finishes.

Ceramic Disc Valve Cartridges: Assures a lifetime of drip-free performance.

Low Lead: Meets NSF Standard 61/Section 9 & Prop 65 lead requirements.

Wide Selection of Handle Styles: Full range of interchangeable handle styles.

Choice of Finishes: Available in Polished Chrome or PVD Polished Brass.

SUGGESTED SPECIFICATION:

Two handle bottom-mount kitchen faucet shall feature brass construction with all brass coupling nuts. Shall also feature 1/4 turn washerless ceramic disc valve cartridges that are reversible for use with round or lever handles. Fitting shall be American Standard Model # _____ and handle kit # 0000._____.

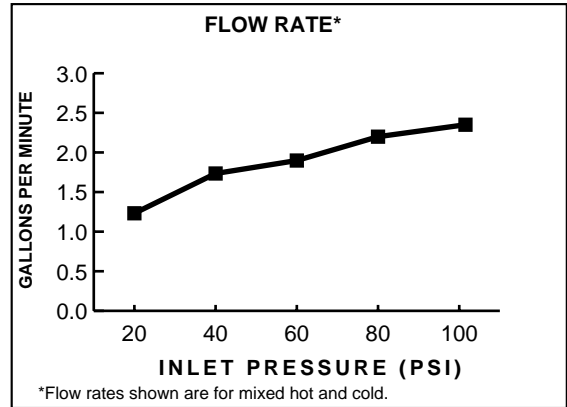


**TWO-HANDLE BOTTOM-MOUNT
KITCHEN FAUCET
WITH BRASS GOOSENECK SPOUT**

CODES AND STANDARDS

These products meet or exceed the following codes and standards:

- ASME A112.18.1**
- CSA B 125**
- NSF 61/Section 9**



Product Number	Description	Finish Options	
		Polished Chrome	PVD Polished Brass
		002	099
7231.000	Kitchen Faucet. Hand spray. Less handles.		
7230.000	Kitchen Faucet. Less hand spray. Less handles.		

Handles must be ordered separately.

To order **Less Handles** - Specify: 4 digit Style number followed by three zeros and 3 digit finish number.
Example 7231.000.002 = Kitchen faucet with hand spray in Polished Chrome finish.

The above fittings will accept the following Amarelis-Series handles. *

452	442	462	432	552	542	572	372H 372V	352H 352V	342H 342V	102H 102V	112H	902 912	862

* See Section N for additional information on handle kits.

Meets the American Disabilities Act Guidelines and **ANSI A117.1** Requirements for the physically challenged.