

## AMERICAST® LIMITED LIFETIME WARRANTY

If an American-Standard Americast® brand product is found to be defective in materials or workmanship, after inspection by an authorized American-Standard representative, American-Standard will repair or, at its option, exchange the product for a similar model. This warranty extends for the lifetime of the product, so long as it remains in use in its original place of installation, except that the warranty applies to a bathing vessel's slip-resisting surface only for the first year after the product's initial installation.

This warranty applies only to the original purchaser and installation of these products.

This warranty **does not apply** to whirlpool components or to faucets, drains, mounting rims, grab bars or other accessories. If manufactured or supplied by American-Standard, such whirlpool components and accessories are covered under separate limited warranties.

This warranty **does not apply** to local building code compliance. Since local building codes vary considerably, the purchaser of this product should check with a local building or plumbing contractor to assure local code compliance before installation.

This warranty **shall be void** if the Americast® brand product has been moved from its initial place of installation; if it has been subjected to faulty maintenance, abuse, misuse, accident or other damage; if it was not installed in accordance with American-Standard's instructions; or if it was modified in a manner inconsistent with the product as shipped by American-Standard.

American-Standard's option to repair or exchange the product under this warranty does not cover any labor or other costs of removal or installation, **nor shall American-Standard be responsible for any other incidental or consequential damages attributable to a product defect or to the repair or exchange of a defective product, all of which are expressly excluded from this warranty.** (Some states or provinces do not allow the exclusion or limitation of implied warranties, so this exclusion may not apply to you.)

This warranty gives you specific legal rights. You may have other statutory rights that vary from state to state or from province to province, in which case this warranty does not affect such statutory rights.

For service under these warranties, it is suggested that a claim be made through the contractor or dealer from or through whom the product was purchased, or that a service request (including a description of the product model and of the defect) be sent to the following address:

### In the United States:

AMERICAN STANDARD, INC.  
P.O. Box 6820  
Piscataway, New Jersey 08855  
Attn: Director of Consumer Affairs

For residents of the United States, warranty information may also be obtained by calling the following toll free number: (800) 223-0068

### In Canada:

AMERICAN STANDARD, INC.  
1401 Dupont Street  
Toronto, Ontario Canada M6H 2B1  
Toll Free: (800) 387-0369 Toronto Area: (416) 536-5609

### In Mexico:

IDEAL STANDARD, S.A. de C.V.  
Customer Service Manager  
Planta Santa Clara, Via Morelos #330  
Santa Clara Coatitla  
Ecatepec de Morelos 55540,  
Estado de Mexico, Mexico

# Princeton™ Bath Installation Instructions

2390.202 2391.202  
2392.202 2393.202

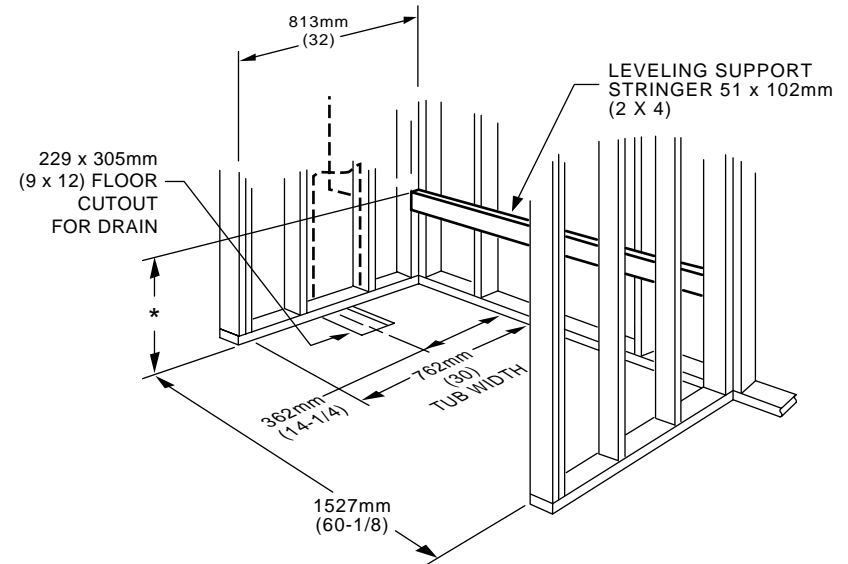
## Observe Local Plumbing and Building Codes

**Introduction:** Thank you for selecting American-Standard...products which have been the benchmarks of fine quality for over 100 years. To help insure that the installation process will proceed smoothly, please read these instructions carefully before you begin. Also carefully unpack and examine your new plumbing fixture.

## 1 FRAMING INSTRUCTIONS

Note recess is 1527 x 813mm (60-1/8 x 32). Cut a 229 x 305mm (9 x 12) hole in sub floor for drain, centered 362mm (14-1/4) as shown for below floor rough. Locate studs as required, then ensure rough opening dimensions are proper and supports are plumb and square.

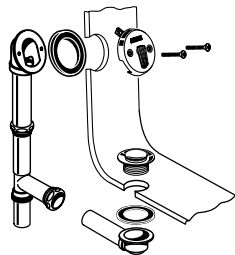
**\*Install stringer as shown (346mm [13-5/8] for through the floor drain or 435mm [17-1/8] for above the floor drain.)**



**2**

## DRAIN

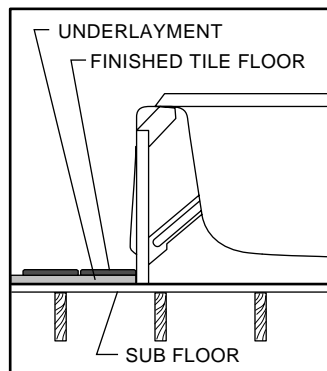
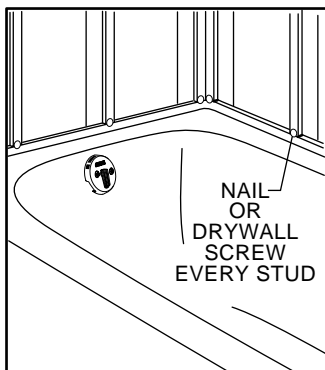
Install the overflow and drain assembly onto the tub per manufacturer's instructions.

**3**

Position bathtub within the recess, check level, front to back, side to side. Also check drain clearance hole in sub floor. To secure the tub to wood studs, use roofing nails immediately above the flange of the tub.

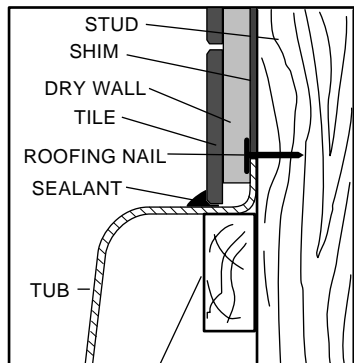
To secure the tub to steel studs, use drywall screws and flat washers. (See Step 4)

**Caution: Take Extra Care When Driving Nails or Screws To Avoid Damaging The Tub.** The tile or similar finished floor will be butted against the bottom of the tub apron also holding the tub in place.

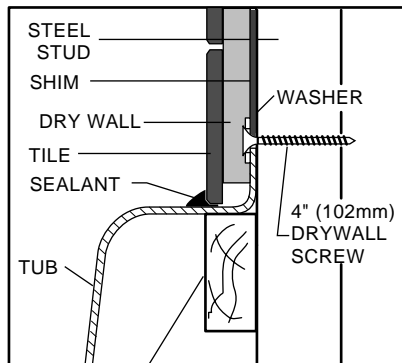
**4**

Below is shown typical cross sections of the tub rim showing typical wall constructions.

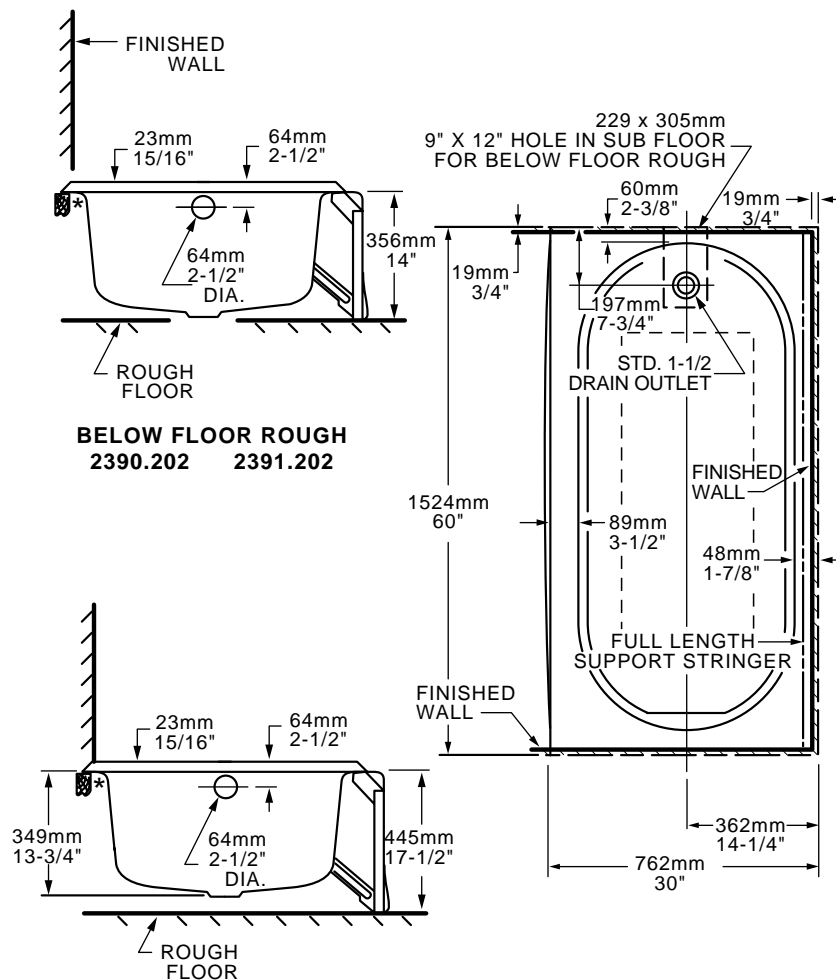
### WOOD STUDS



### STEEL STUDS



51 x 102mm (2 x 4) WOOD STRINGER FULL LENGTH



**BELOW FLOOR ROUGH**  
2390.202 2391.202

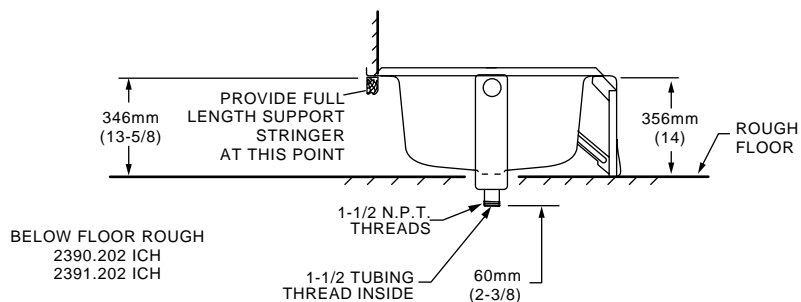
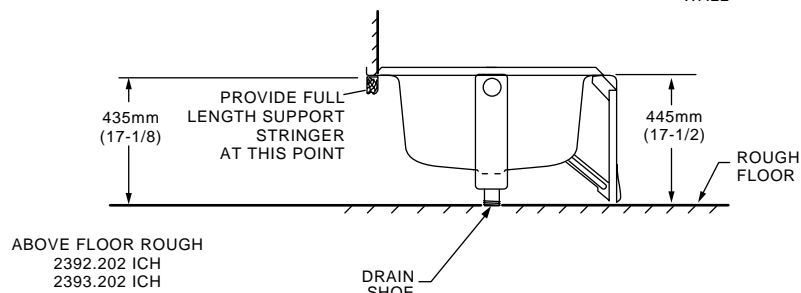
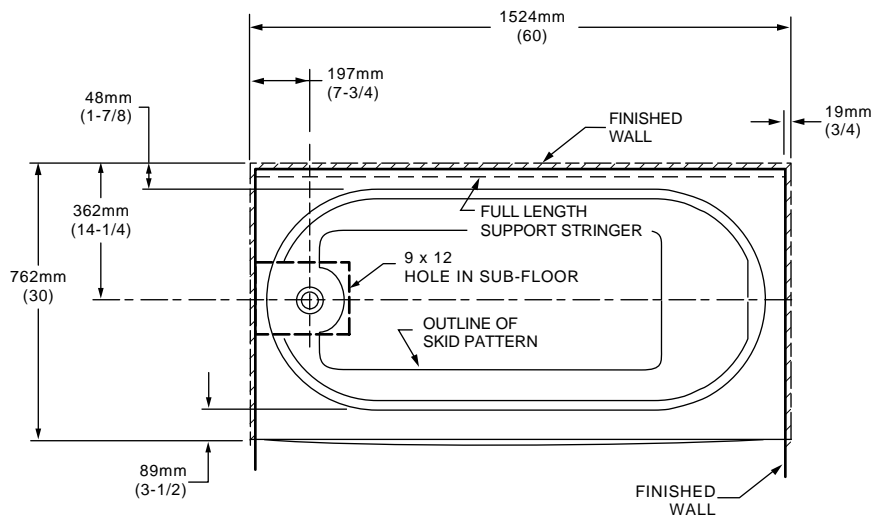
**ABOVE FLOOR ROUGH**  
2392.202 2393.202

**\* PLUMBER NOTE:** PROVIDE FULL LENGTH SUPPORT STRINGER AT THIS POINT

**LEFT HAND TUB ILLUSTRATED  
RIGHT HAND TUB IS REVERSED**

# 5

## ROUGHING-IN



**LEFT HAND TUB ILLUSTRATED  
RIGHT TUB IS REVERSED**

# Princeton™ Bath w/Integral Overflow Installation Instructions

2390.202.ICH 2391.202.ICH  
2392.202.ICH 2393.202.ICH  
2390.202.IPB 2391.202.IPB  
2392.202.IPB 2393.202.IPB

**Observe Local Plumbing and Building Codes**

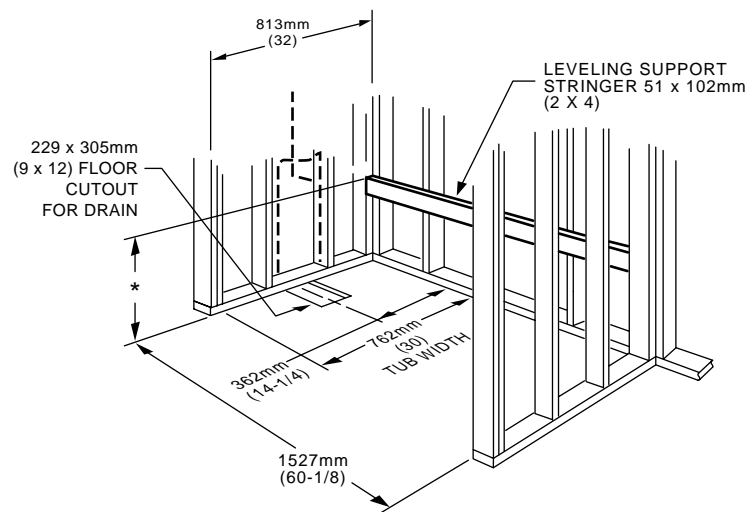
**Introduction:** Thank you for selecting American-Standard...products which have been the benchmarks of fine quality for over 100 years. To help insure that the installation process will proceed smoothly, please read these instructions carefully before you begin. Also carefully unpack and examine your new plumbing fixture.

# 1

## FRAMING INSTRUCTIONS

Note recess is 1527 x 813mm (60-1/8 x 32). Cut a 229 x 305mm (9 x 12) hole in sub floor for drain, centered 362mm (14-1/4) as shown for below floor rough. Locate studs as required, then ensure rough opening dimensions are proper and supports are plumb and square.

**\* Install stringer as shown (346mm [13-5/8] for through the floor drain or 435mm [17-1/8] for above the floor drain.)**



**IMPORTANT**

The Drain Assembly is enclosed with tub models listed above-locate and retain for tub installation **before** discarding tub carton

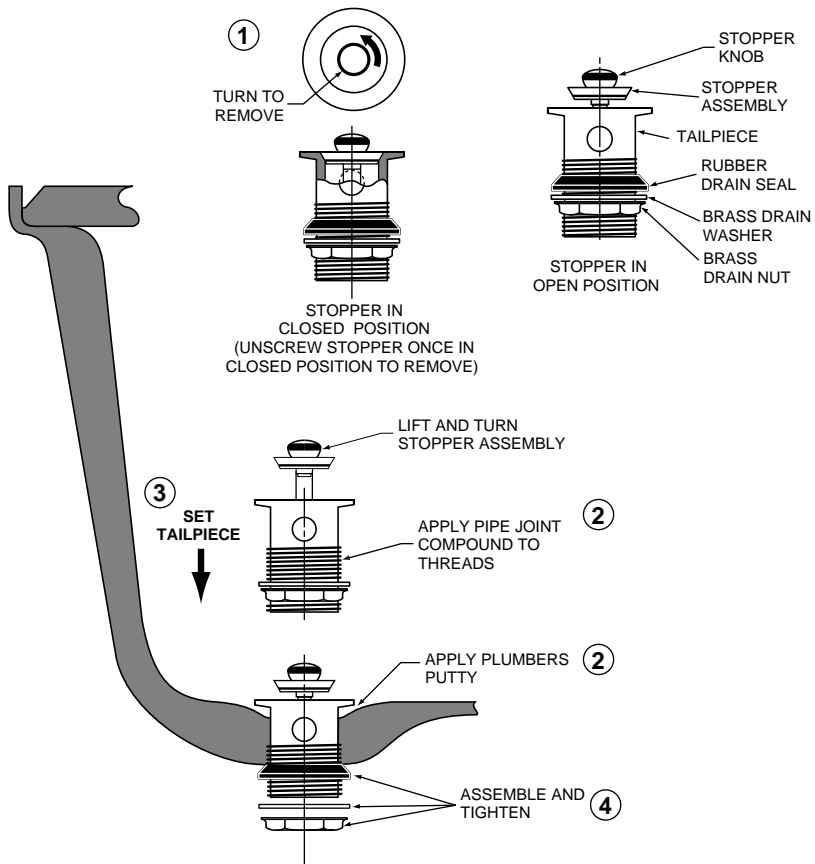
FOR AFTER-SALES SERVICE CALL 1 (800) 223-0068 WEEKDAYS.

## 2 DRAIN INSTALLATION

- ① Remove Lift and Turn Stopper and Tailpiece Assembly from box and check that all parts are included. Remove Lift and Turn Stopper Assembly from Tailpiece by setting Stopper to closed position, and turning Stopper Knob counter-clockwise. (Re-install Stopper after Drain installation is completed.)
- ② Apply plumbers putty around drain hole and pipe thread compound on threaded end of tailpiece.
- ③ Set Tailpiece in drain hole. (Lift and Turn Stopper Assembly should be removed, and reinstalled after tub installation is completed.)
- ④ From underside of tub: Place Rubber Wedge Seal on Tailpiece, small end toward tub, and center in hole, place Brass Washer on Tailpiece, and thread on Locking Nut, flange side first. Tighten Locking Nut to obtain a uniform seal between Wedge Seal and hole in tub.

**DO NOT OVERTIGHTEN!**

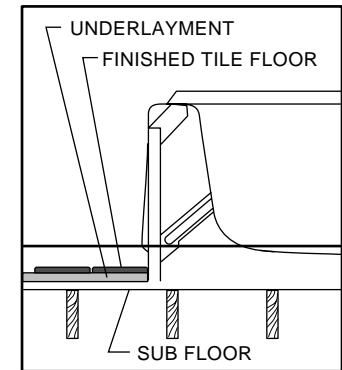
Final hook up to tub waste can be made using either internal threads in Tailpiece (1-1/2 tubing 1-1/2—28 thd.), or external threads on Tailpiece (1-1/2—11-1/2 NPSM) for appropriate tub fittings.



## 3 INSTALLATION

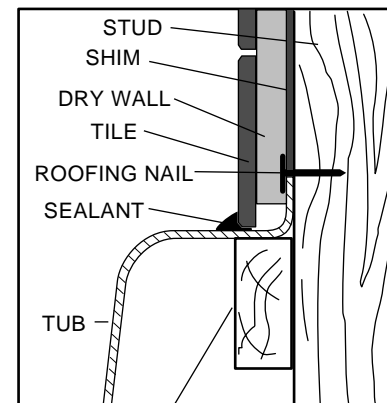
Position bathtub within the recess, check level, front to back, side to side. Also check drain clearance hole in sub floor. To secure the tub to wood studs, use roofing nails immediately above the flange of the tub. To secure the tub to steel studs, use drywall screws and flat washers. (See Step 4) **Caution: Take Extra Care When Driving Nails or Screws To Avoid Damaging The Tub.** The tile or similar finished floor will be butted against the bottom of the tub apron also holding the tub in place.

**NOTE: Warranty will be voided if the drain is installed after the tub has been set in place.**

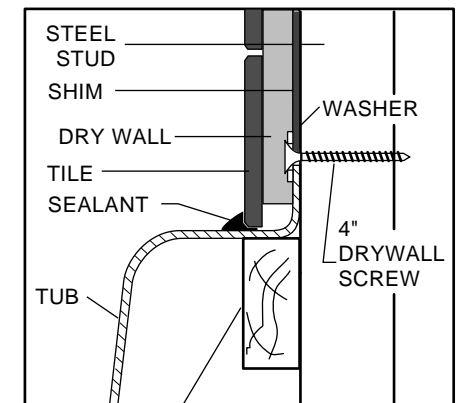


## 4

Below is shown typical cross sections of the tub rim showing typical wall constructions.



**WOOD STUDS**



**STEEL STUDS**