

American Standard

CERAMIX™

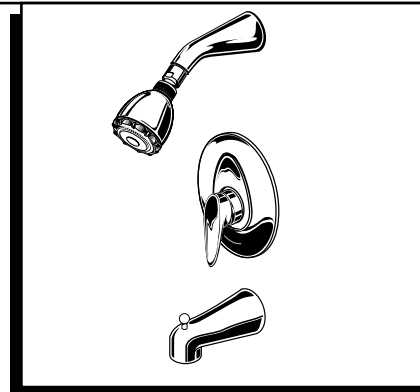
**PRESSURE BALANCED
BATH/SHOWER SETS**

**Installation
Instructions**

**2000.500
2000.501
2000.502**

*Thank you for selecting American-Standard...the benchmark
of fine quality for over 100 years.*

*To ensure that your installation proceeds smoothly—please
read these instructions carefully before you begin.*

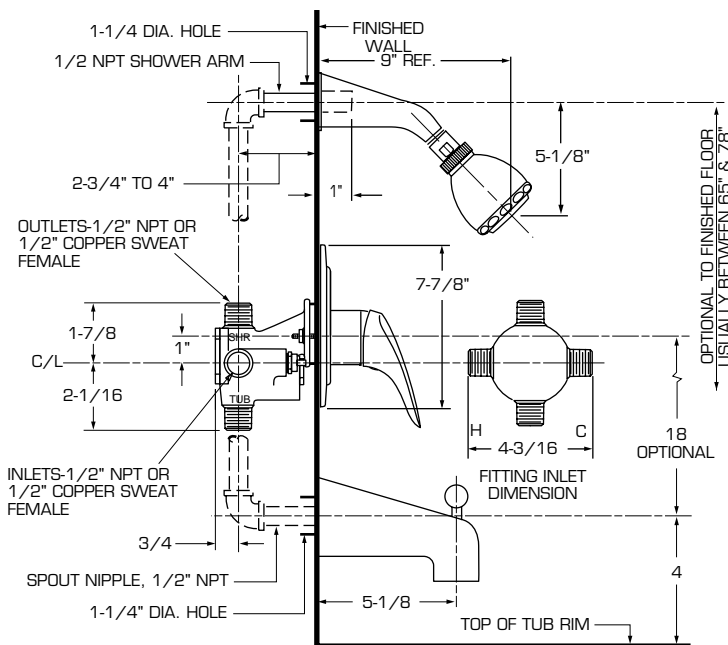


Certified to comply with ANSI A112.18.1

M968783A

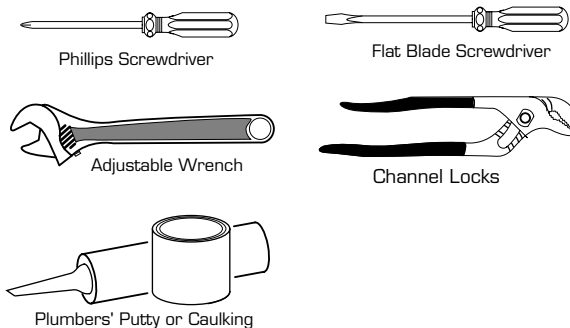
ROUGHING-IN DIMENSIONS

TO ENSURE PROPER POSITIONING IN RELATION TO WALL,
NOTE ROUGHING-IN DIMENSIONS.



NOTE: USE PLASTER GUARD FOR MIN. - MAX. * DIMENSION AND PROPER WALL OPENING (SUPPLIED). NO CONCEALED PIPING FURNISHED.

Required Tools



CARE INSTRUCTIONS:

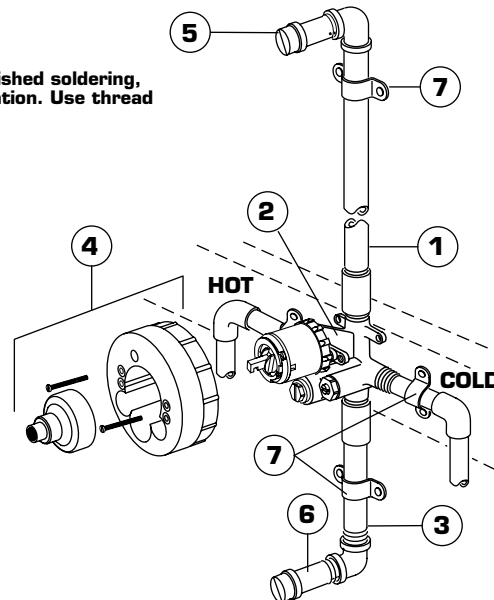
DO: SIMPLY RINSE THE PRODUCT CLEAN WITH CLEAR WATER. DRY WITH A SOFT COTTON FLANNEL CLOTH.

DO NOT: CLEAN THE PRODUCT WITH SOAPS, ACID, POLISH, ABRASIVES, HARSH CLEANERS, OR A CLOTH WITH A COARSE SURFACE.

1 ROUGHING-IN CAUTION Turn off water at main supply.

NOTE When soldering, remove PLASTER GUARD, CARTRIDGES and CHECK STOPS. When finished soldering, flush valve body, replace cartridges, check stops and plaster guard to continue installation. Use thread sealant or Teflon tape on threaded connections.

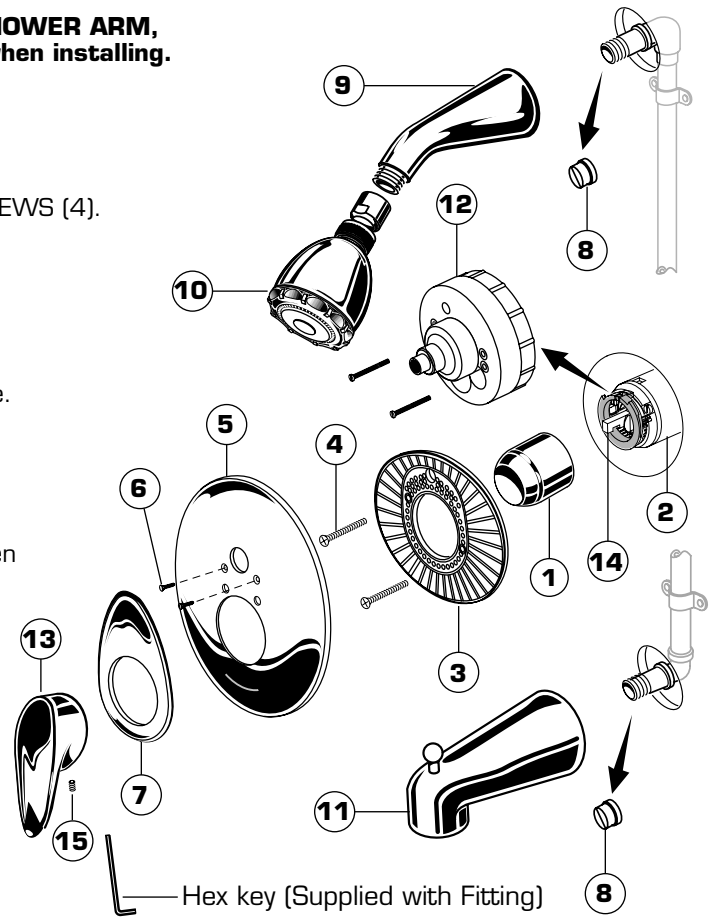
- Refer to Roughing-in diagram above before starting.
- Connections are:
 - 1/2" male NPT for threaded inlets.
- Connect RISER PIPE (1) to VALVE BODY (2) top outlet marked "SHR".
- Connect TUB FILLER PIPE (3) at bottom outlet marked "TUB". For proper positioning the finished wall must be within side wall of PLASTER GUARD (4).
- Connect hot and cold water supplies.
- Cap off SHOWER PIPE (5) and TUB FILLER PIPE (6). For support, use PIPE BRACES (7) secured to wooden braces.
- With valve turned off, turn on water supplies. Check for leaks.



2 INSTALL TRIM

CAUTION: Protect the finish on SHOWER ARM, SHOWER HEAD and TUB SPOUT when installing.

- Remove PLASTER GUARD (12).
 - Push CAP (1) over VALVE CARTRIDGE (2).
 - Mount ESCUTCHEON CARRIER (3) to valve body using SCREWS (4).
 - Mount ESCUTCHEON (5) to ESCUTCHEON CARRIER (3) using SCREWS (6).
 - Attach DECORATIVE RING (7) to ESCUTCHEON (5).
 - Remove PIPE CAPS (8) from shower pipe and tub filler pipe.
 - Install SHOWER ARM (9) and SHOWER HEAD (10).
 - Install TUB FILLER SPOUT (11).
 - Push HANDLE (13) onto CARTRIDGE STEM (14) and tighten SET SCREW (15) from below with Hex Key supplied.
- NOTE:** Lift HANDLE to access SET SCREW (15).



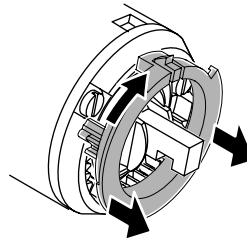
3 TEST INSTALLED FITTING

- With HANDLE in OFF position, turn on WATER SUPPLIES and check all connections for leaks.
- Operate HANDLE to flush water lines thoroughly.
- Operate SPOUT DIVERTER and SHOWER.

4 ADJUST HOT LIMIT STOP

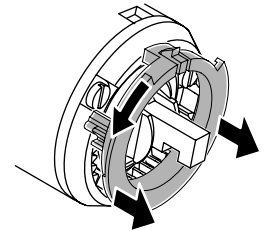
- By restricting handle rotation and limiting the amount of hot water allowed to mix with the cold, the HOT LIMIT SAFETY STOP reduces risk of accidental scalding. To set the maximum hot water temperature of your faucet, all you need to do is adjust the setting on the HOT LIMIT SAFETY STOP.
- Remove HANDLE, CAP and HOT LIMIT STOP. Follow "A" or "B" to adjust maximum discharge temperature.

"A"
PRY UPWARD TO UNLOCK AND ROTATE CLOCKWISE.



ADJUSTMENT WHEN WATER IS TOO COLD

"B"
PRY UPWARD TO UNLOCK AND ROTATE COUNTER-CLOCKWISE ONE CLICK.

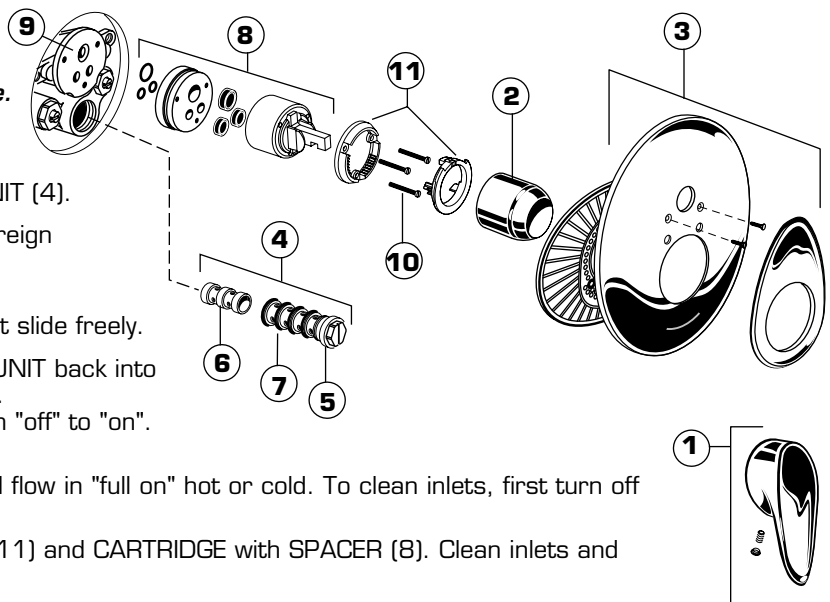


ADJUSTMENT WHEN WATER IS TOO HOT

5 SERVICE

If valve is unable to maintain constant temperature.

- Remove HANDLE (1), CAP (2) and ESCUTCHEON ASSEMBLY (3).
- Unscrew and remove PRESSURE BALANCING UNIT (4).
- Examine holes in SLEEVE (5) for chips or other foreign materials.
- Remove SPOOL (6) and clean thoroughly.
- Insert SPOOL (6) into SLEEVE (5), SPOOL (6) must slide freely.
- Make sure all O-RINGS (7) are in place. Replace UNIT back into VALVE. Turn on water supply and check for leaks.
If faucet drips, operate handle several times from "off" to "on". Do not apply excessive force.
- Clogged CARTRIDGE (8) inlets may cause reduced flow in "full on" hot or cold. To clean inlets, first turn off water supply, then:
 - Remove HANDLE (1), CAP (2), HOT LIMIT STOP (11) and CARTRIDGE with SPACER (8). Clean inlets and MANIFOLD (9).
 - Reassemble CARTRIDGE and SPACER (8), alternately tightening SCREWS (10). Replace HOT LIMIT STOP (11), CAP (2) and HANDLE (1). Check flow.



M968783A

American Standard

CERAMIX™

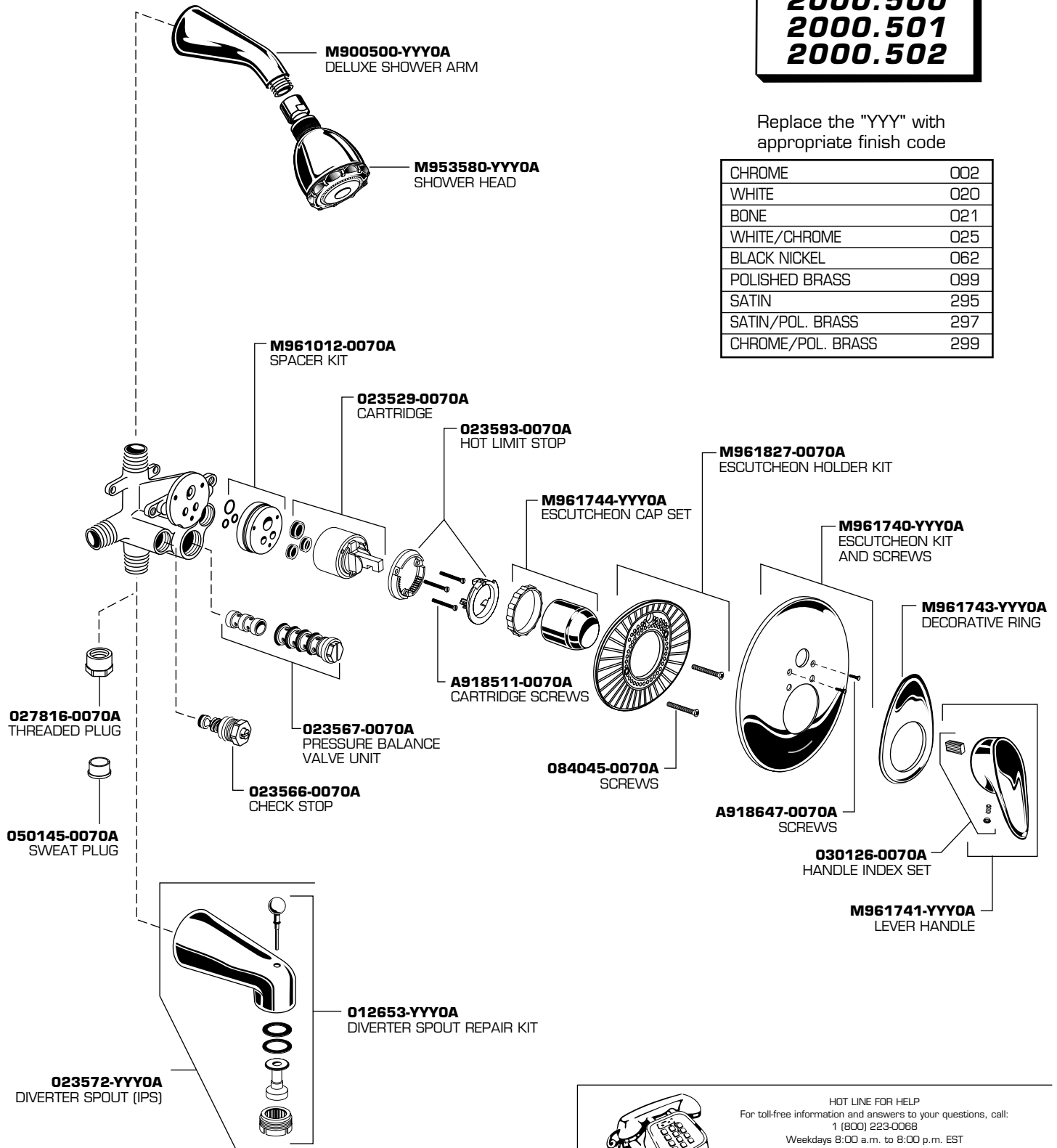
PRESSURE BALANCED BATH/SHOWER SETS

MODEL NUMBER

2000.500
2000.501
2000.502

Replace the "YYY" with appropriate finish code

CHROME	002
WHITE	020
BONE	021
WHITE/CHROME	025
BLACK NICKEL	062
POLISHED BRASS	099
SATIN	295
SATIN/POL. BRASS	297
CHROME/POL. BRASS	299



HOT LINE FOR HELP
For toll-free information and answers to your questions, call:
1 (800) 223-0068
Weekdays 8:00 a.m. to 8:00 p.m. EST

IN CANADA 1-800-387-0369 (TORONTO 1-905-306-1093)
Weekdays 8:00 a.m. to 7:00 p.m. EST

Product names listed herein are trademarks of American Standard Inc.
©American Standard Inc. 2002

M968783A