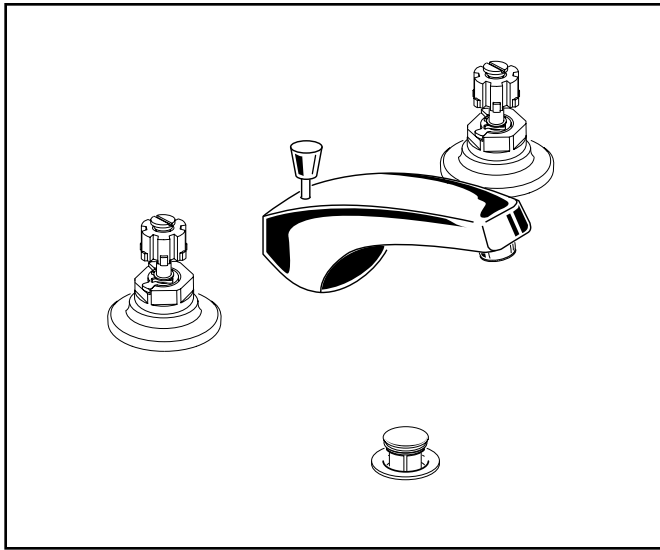


American Standard

HERITAGE

TWO-HANDLE WIDESPREAD LAVATORY FAUCET WITH CONVENTIONAL SPOUT

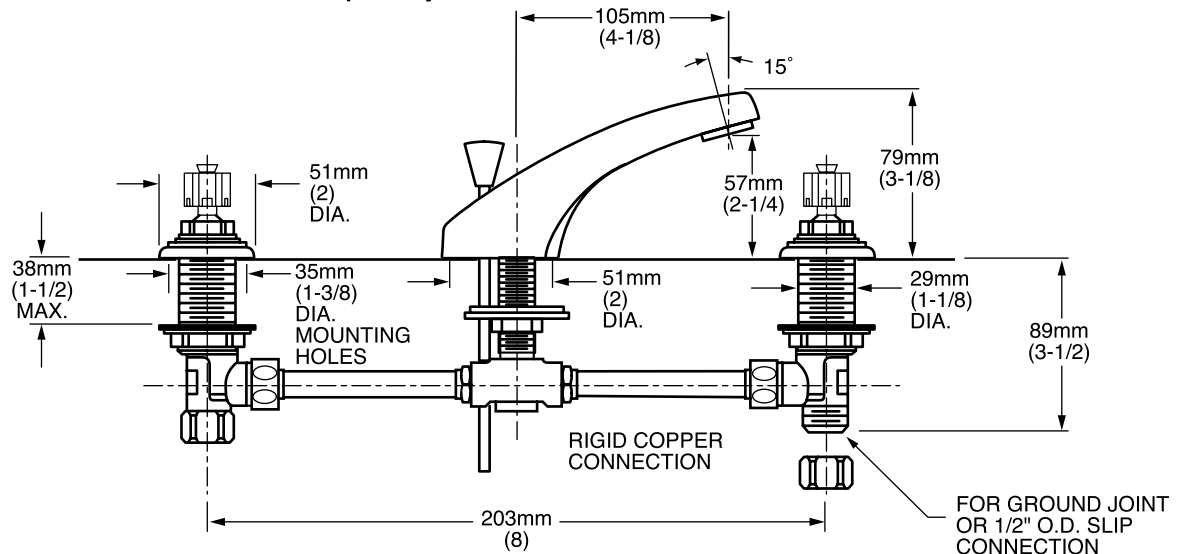


6801.000 Shown. Handles must be ordered separately.

MODEL NUMBER:

- ❑ **6801.000 Widespread Lavatory**
Pop-up drain. Less handles. Rigid copper connection.
- ❑ **6802.000 Widespread Lavatory**
Grid strainer drain. Less handles. Rigid copper connection.

Handles must be ordered separately.



GENERAL DESCRIPTION:

Cast brass valve bodies with rigid copper 8" (203mm) connections. Amarelis 1/4 turn washerless ceramic disc valve cartridges - reversible for use with either lever or round handles. Cast brass spout. One-half inch male inlet shanks with brass coupling nuts and shank nuts. All brass drain body with 1-1/4" (32mm) tailpiece. 2.2 gpm/8.3L/min. maximum flow rate.

PRODUCT FEATURES:

Brass Construction: Durable - Excellent in high use applications. Ideal for prolonged contact with water.

Ceramic Disc Valve Cartridges: Assures a lifetime of drip-free performance.

Low Lead: Meets NSF Standard 61/Section 9 & Prop 65 lead requirements.

Wide Selection of Styles and Configurations: Full range of interchangeable fittings for residential and institutional applications.

SUGGESTED SPECIFICATION:

Two handle widespread lavatory faucet shall feature cast brass valve bodies with 8" rigid copper connections. All brass shank nuts and coupling nuts. Shall also feature 1/4 turn washerless ceramic disc valve cartridges that are reversible for use with round or lever handles. Fitting shall be American Standard Model # _____ and handle kit # 0000.____.

American Standard

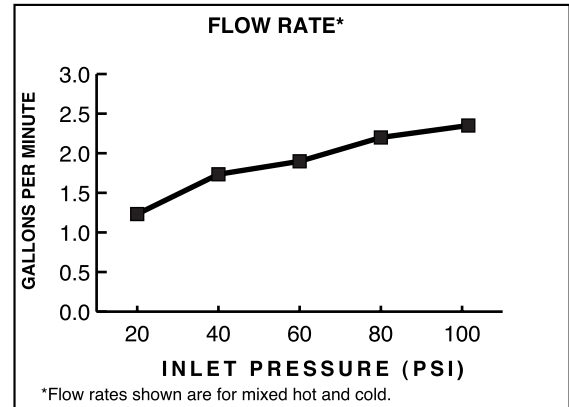
HERITAGE

TWO-HANDLE WIDESPREAD LAVATORY FAUCET WITH CONVENTIONAL SPOUT

CODES AND STANDARDS

These products meet or exceed the following codes and standards:

ASME A112.18.1M
CSA B 125
NSF 61/Section 9



Product Number	Description	Finish
		Polished Chrome
		002
6801.000	Lavatory Faucet. Pop-up drain. Less handles.	
6802.000	Lavatory Faucet. Grid strainer drain. Less handles.	

Handles must be ordered separately.

To order **Less Handles** - Specify: 4 digit Style number followed by three zeros and 3 digit finish number.

Example 6802.000.002 = Lavatory faucet with grid strainer drain in Polished Chrome finish.

The above fittings will accept the following **Amarilis-Series handles**. *

452	442	462	432	552	542	572	372H 372V	352H 352V	342H 342V	102H 102V	112H	802	902 912	862	852	962	972	982	872	892

* See Section N for additional information on handle kits.

Meets the American Disabilities Act Guidelines and **ANSI A117.1** Requirements for the physically challenged.