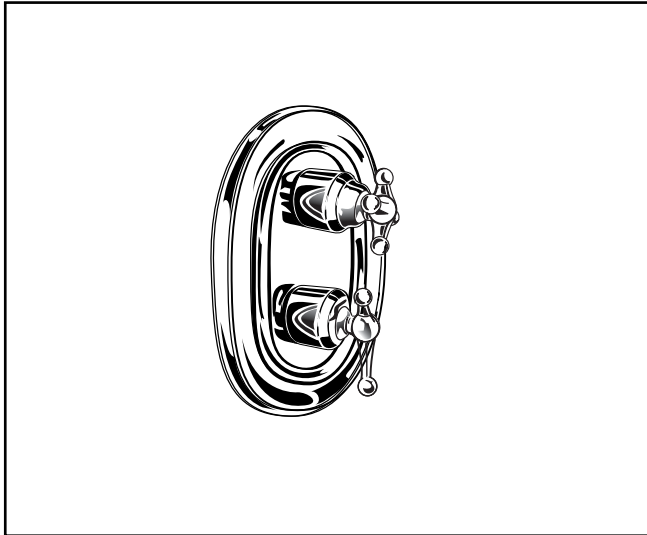


American Standard



ENFIELD

TRIM KITS FOR TWO-HANDLE
THERMOSTAT
WITH SEPARATE VOLUME CONTROL

MODEL NUMBER:

- R540 Rough Valve Body Only**
With separate volume control.
- T373.742 Bath/Shower Trim Kit**
For use with R540 Valve. Less valve.
- T373.741 Shower Only Trim Kit**
For use with R540 Valve Only. Less valve.
- T373.740 Valve Only Trim Kit**
For use with R540 Valve Only

NOTE:

- When used as a Bath/Shower:

EITHER

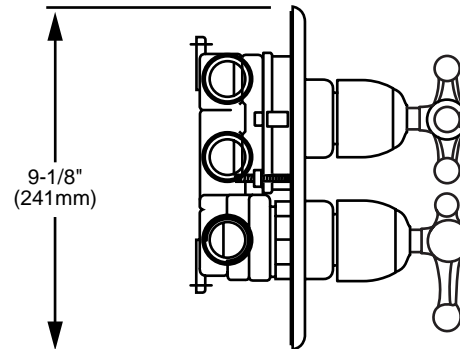
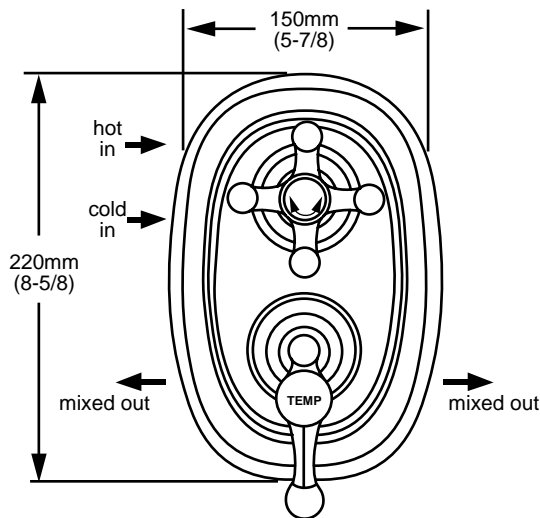
- a separate diverter valve (such as 1660.430 or 1660.440)

OR

- a diverter tub spout (requires twin ell - Model #8888.120)

IS REQUIRED.

T373.742 includes diverter tub spout and twin ell.



GENERAL DESCRIPTION:

Cast brass valve body. The single unit contains two handles, the lever handle sets the desired temperature and the metal cross handle functions as an on/off, volume control. The temperature is maintained by a wax element moving a shuttle valve between hot and cold. The volume is controlled by twin ceramic disc valve cartridges. Ceratherm includes a Hot Limit Safety Stop. Escutcheon plate is stamped brass. Inlets and outlets are 3/4" NPT. The valve has a high flow rate, ideal for multiple outlet installations.

PRODUCT FEATURES:

Brass Casting: Highest quality faucet material for durability & long life.

Wax Thermostatic Unit: Permits shuttle valve to move between the hot and cold seats to maintain the pre-selected constant water temperature.

Adjustable Hot Limit Safety Stop: Limits the amount of hot water allowed to mix with cold. Reduces the risk of accidental scalding.

SUGGESTED SPECIFICATION:

Two handle Enfield Thermostat shall feature a cast brass valve body. Thermostat shall be a wax element shuttle valve. Shall also feature ceramic disc valving, 3/4" NPT inlets and outlets. Fitting shall be American Standard Model # T373.74X (Trim Kit) and R540 (Rough Valve).

American Standard

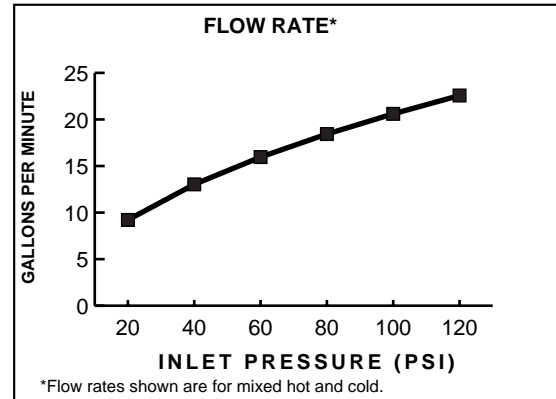
ENFIELD

TRIM KITS FOR TWO-HANDLE
THERMOSTAT
WITH SEPARATE VOLUME CONTROL

CODES AND STANDARDS

These products meet or exceed the following codes and standards:

ASME A112.18.1
CSA B125



Product Number	Description	Finish Options				
		Polished Chrome	Polished Nickel	PVD Blackened Bronze	PVD Polished Brass	PVD Satin
		002	008	068	099	295
R540	Rough Valve Body Less Trim	N/A	N/A	N/A	N/A	N/A
T373.742*	Bath/Shower Trim kit for 3/4" Two Handled Thermostat. Metal wall escutcheon and handles. 3-1/4" adjustable showerhead, cast brass shower arm and cast brass I.P.S diverter tub spout. LESS VALVE.					
T373.741**	Shower Only Trim kit for 3/4" Two Handled Thermostat. Metal wall escutcheon and handles. 3-1/4" adjustable showerhead, cast brass shower arm. LESS VALVE.					
T373.740**	Valve Only Trim kit for 3/4" Two Handled Thermostat. Metal wall escutcheon and handles. LESS VALVE.					

N/A = NOT AVAILABLE

NOTES:

* Requires Twin EII for use with diverter spouts. T373.742 includes diverter tub spout and Twin EII. Use one discharge port only. Plug is provided.

** When used as a Bath/Shower a separate diverter valve is required (such as 1660.430). Requires Twin EII (Model # 8888.120) for use with diverter spouts. Use one discharge port only. Plug is provided.