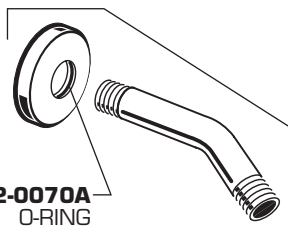


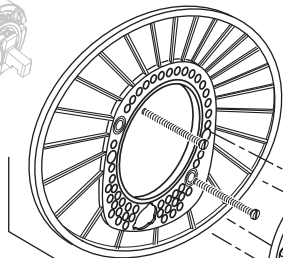
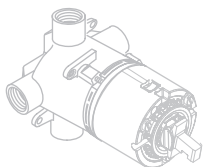
MOMENTS
BATH/SHOWER TRIM KIT
MODEL NUMBER

T506.50X



A912632-0070A
O-RING

M962493-YYY0A
SHOWER ARM & FLANGE



1660.613-YYY
FLOWISE®
SHOWER HEAD

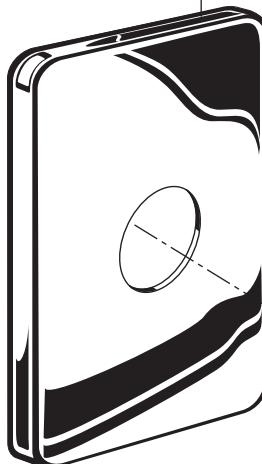


M953540-YYY0A
SHOWER HEAD

M962427-0070A
ESCUTCHEON HOLDER

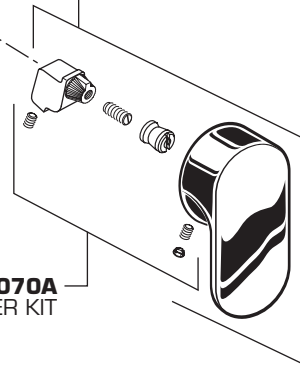
M907052-YYY0A
CAP

A954844-YYY0A
ESCUTCHEON



M962555-YYY0A
TUB SPOUT ESCUTCHEON

M962553-YYY0A
HANDLE KIT

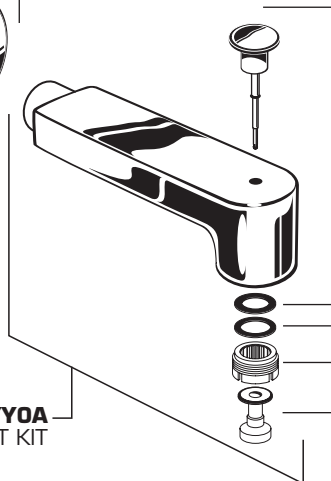
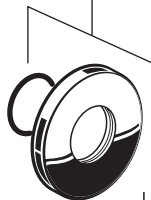


M962554-0070A
HANDLE ADAPTER KIT

M961818-YYY0A
DEEP ROUGH KIT
(NOT SHOWN)

Replace the "YYY" with appropriate finish code

CHROME	002
STAINLESS STEEL	075



M962556-YYY0A
DIVERTER
REPAIR KIT

M952362-YYY0A
DIVERTER SPOUT KIT



HOT LINE FOR HELP

For toll-free information and answers to your questions, call:
 1-800-442-1902
 Weekdays 8:00 a.m. to 6:00 p.m. EST
 IN CANADA 1-800-387-0389 (TORONTO 1-905-306-1093)
 Weekdays 8:00 a.m. to 7:00 p.m. EST
 IN MEXICO 01-800-839-1200