

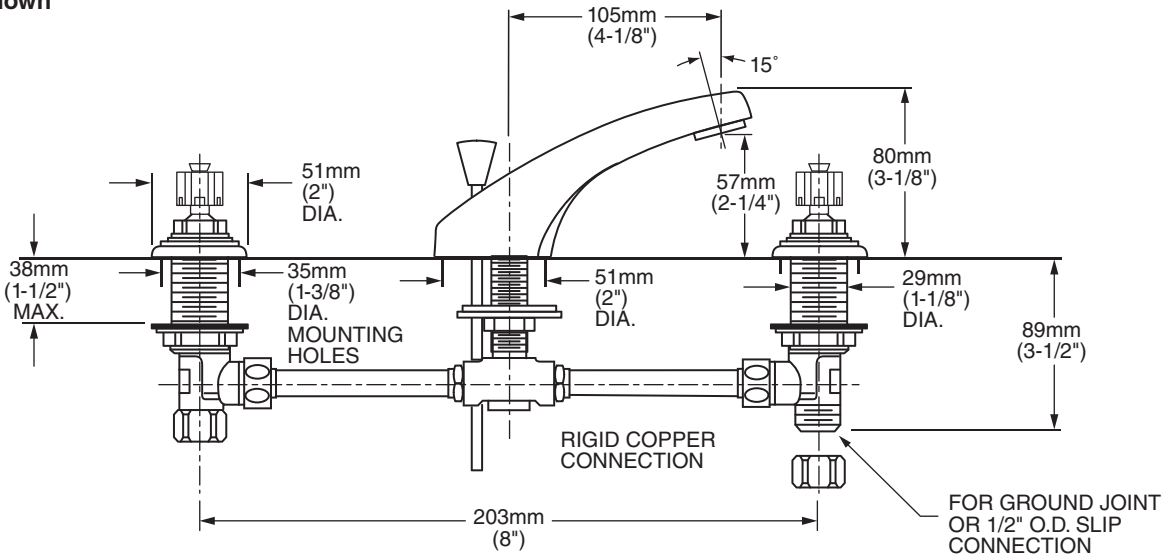


6801.000 Shown

MODEL NUMBER:

- ❑ **6801.000 Rigid 8" Widespread Lavatory**
 1.5 gpm pressure compensating aerator. Pop-up drain. Less handles. Rigid copper connection.
- ❑ **6802.000 Rigid 8" Widespread Lavatory**
 1.5 gpm pressure compensating aerator. Grid strainer drain. Less handles. Rigid copper connection.

Handles must be ordered separately.



GENERAL DESCRIPTION:

Cast brass valve bodies with rigid copper 8" (203mm) connections. Amarilis 1/4 turn washerless ceramic disc valve cartridges. Cast brass spout. One-half inch male inlet shanks with brass coupling nuts and shank nuts. All brass drain body with 1-1/4" (32mm) tailpiece. 1.5 gpm/5.7L/min. maximum flow rate.

PRODUCT FEATURES:

- Pressure Compensating Aerator:** Provides a constant water flow of 1.5 gpm throughout the pressure range.
- Brass Construction:** Durable - Excellent in high use applications. Ideal for prolonged contact with water.
- Ceramic Disc Valve Cartridges:** Assures a lifetime of drip-free performance.
- Lead Free:** Faucet contains ≤ 0.25% total lead content by weighted average.

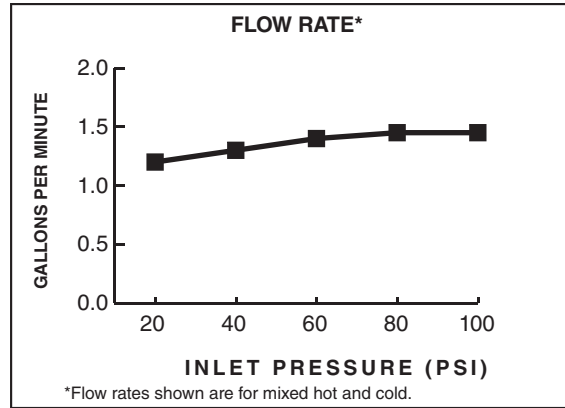
SUGGESTED SPECIFICATION:

Two handle widespread lavatory faucet shall feature cast brass valve bodies with 8" rigid copper connections. All brass shank nuts and coupling nuts. Shall feature water-conserving 1.5 gpm/5.7L/min. pressure compensating aerator. Shall also feature 1/4 turn washerless ceramic disc valve cartridges. Fitting shall be American Standard Model # 680_000_ and handle kit # 0000_.

CODES AND STANDARDS

These products meet or exceed the following codes and standards:

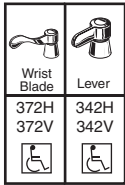
- ASME A112.18.1
- CSA B 125
- NSF 61/Section 9
- NSF 372



Product Number	Description	Finish
		Polished Chrome
6801.000	Lavatory Faucet. 1.5 gpm/5.7L/min pressure compensating aerator. Pop-up drain. Less handles.	002
6802.000	Lavatory Faucet. 1.5 gpm/5.7L/min pressure compensating aerator. Grid strainer drain. Less handles.	

Handles must be ordered separately.

The above fittings will accept the following Amarelis-Series handles.



MEETS THE AMERICANS WITH DISABILITIES ACT GUIDELINES AND ANSI A117.1 REQUIREMENTS FOR ACCESSIBLE AND USABLE BUILDING FACILITIES-CHECK LOCAL CODES

Other Aerators Available:

Part Suffix	Description
LV22	2.2 gpm (8.3 Lpm) Vandal-Resistant Non-Aerated Laminar Flow Outlet
V22	2.2 gpm (8.3 Lpm) Vandal-Resistant Aerator
A15LV	Anti-Microbial 1.5 gpm (5.7 Lpm) Vandal-Resistant Non-Aerated Laminar Flow Outlet
LV15	1.5 gpm (5.7 Lpm) PCA Vandal-Resistant Non-Aerated Laminar Flow Outlet
V15	.5 gpm (5.7 Lpm) PCA Vandal-Resistant Aerator
LV10	1.0 gpm (3.8 Lpm) PCA Vandal-Resistant Non-Aerated Laminar Flow Outlet
V10	1.0 gpm (3.8 Lpm) PCA Vandal-Resistant Aerator
V05	0.5 gpm (1.9 Lpm) PCA Vandal-Resistant Non-Aerated Spray
V035**	0.35 gpm (1.3 Lpm) PCA Vandal-Resistant Non-Aerated Spray

*PCA - Pressure Compensating
 **Meets Cal Green Code