

ROXALYN™ WALL-HUNG LAVATORY

- Wall-hung sink
- Vitreous china
- Front overflow
- Faucet ledge
 - Shown with 7401.172H Amarelis Heritage faucet with Wrist Blade handles (not included)
- Designed for off-wall installation with 2" clearance from wall

Faucet holes on 203mm (8") centers:

- 0194.019** For exposed bracket support
- 0194.076** For concealed arms support

Faucet holes on 102mm (4") centers (illus.):

- 0195.016** For exposed bracket support
- 0195.073** For concealed arms support

Single faucet hole on right:

- 0194.035** For exposed bracket support
- 0194.092** For concealed arms support

Single center faucet hole:

- 0194.225** For exposed bracket support
- 0194.043** For concealed arms support

Nominal Dimensions:

508 x 457mm
(20" x 18")

Bowl sizes:

362mm (14-1/4") wide
273mm (10-3/4") front to back
178mm (7") deep

Compliance Certifications -

Meets or Exceeds the Following Specifications:

- ASME A112.19.2 for Vitreous China Fixture



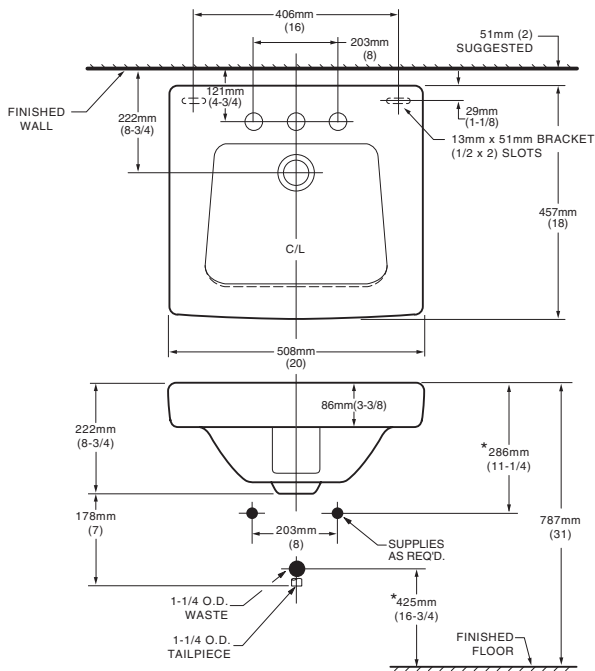
SEE REVERSE FOR ROUGHING-IN DIMENSIONS

To Be Specified:

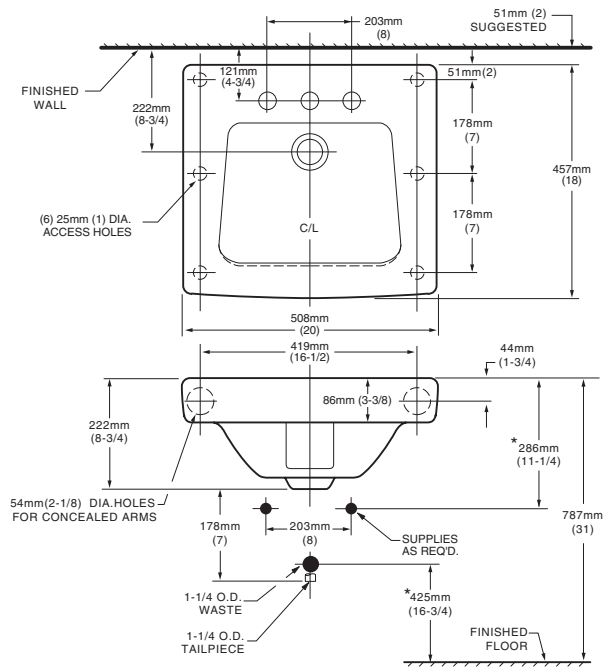
- Color: White Bone Silver
- Faucet*:
- Faucet Finish:
- Supplies:
- 1-1/4" Trap:
- Nipple:
- Bracket Support (if required):
 - 485742-600: 381mm (15") painted bracket
- Concealed Arms Support (by others):

* See faucet section for additional models available

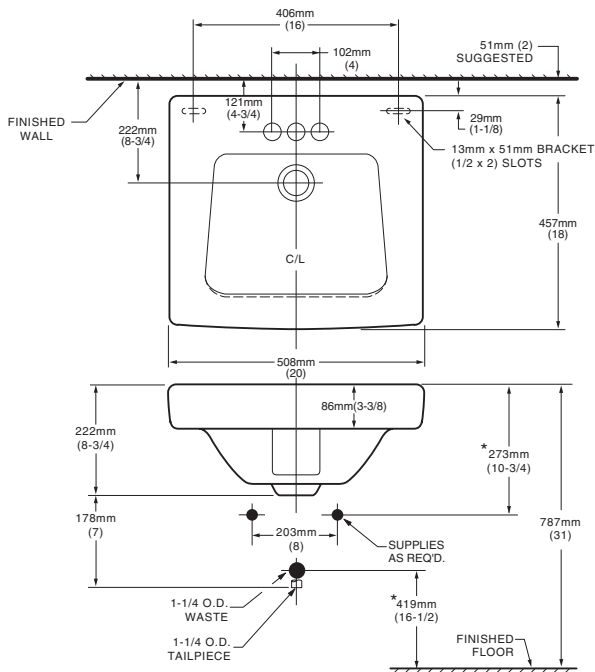
0194.019 EXPOSED BRACKET SUPPORT VARIATIONS



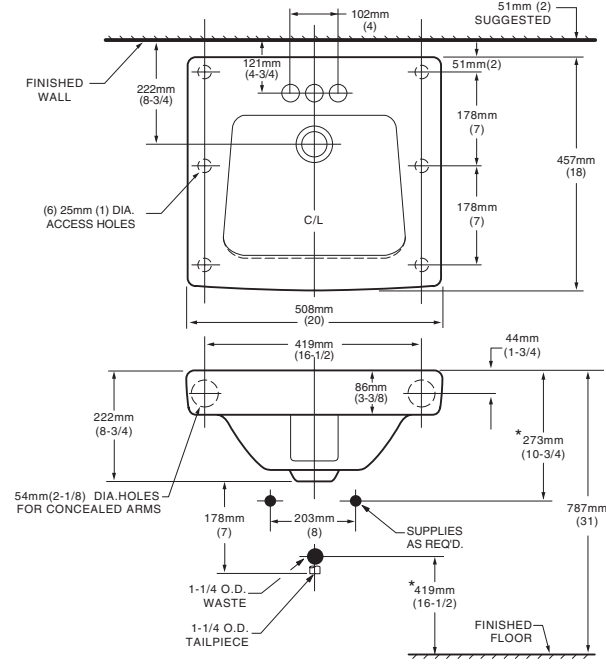
0194.076 CONCEALED ARMS SUPPORT VARIATIONS



0195.016



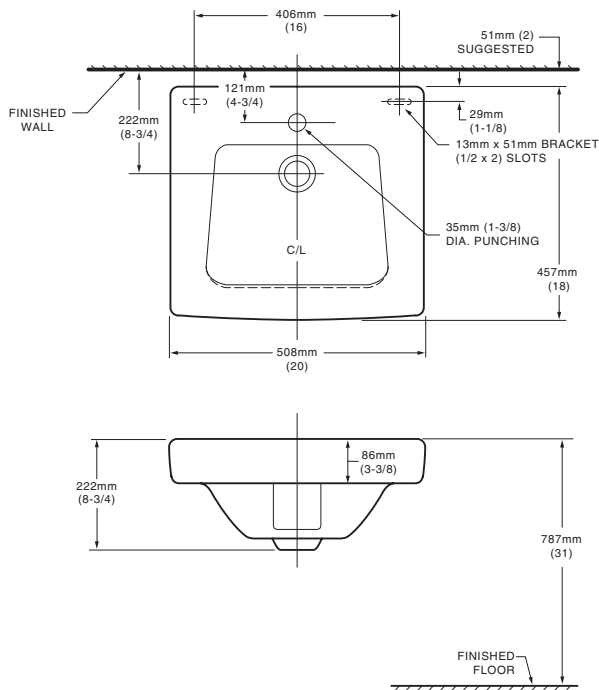
0195.073



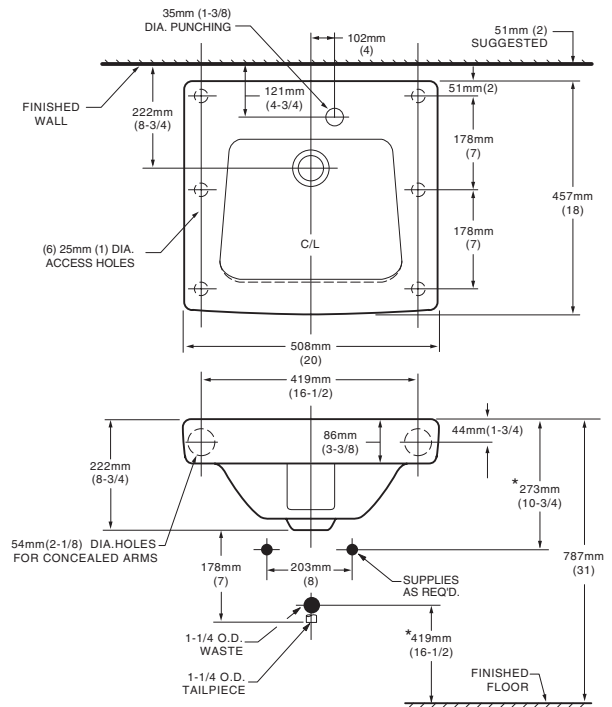
IMPORTANT: Dimensions of fixtures are nominal and may vary within the range of tolerances established by ANSI Standard A112.19.2. These measurements are subject to change or cancellation. No responsibility is assumed for use of superseded or voided pages.

NOTES:
* DIMENSIONS SHOWN FOR LOCATION OF SUPPLIES AND "P" TRAP ARE SUGGESTED.
SHOWN WITH CENTERSET FTG. OR COMB. FTG., FLEX SUPPLIES, POP-UP DRAIN & 1-1/4" "P" TRAP.
FITTINGS NOT INCLUDED AND MUST BE ORDERED SEPARATELY.
PROVIDE SUITABLE REINFORCEMENT FOR ALL WALL SUPPORTS.
CONCEALED ARMS SUPPORT & EXPOSED BRACKET SUPPORT TO BE FURNISHED BY OTHERS.

0194.225 EXPOSED BRACKET SUPPORT VARIATION



0194.092 CONCEALED ARMS SUPPORT VARIATION



NOTES:

* DIMENSIONS SHOWN FOR LOCATION OF SUPPLIES AND "P" TRAP ARE SUGGESTED.
FITTINGS NOT INCLUDED AND MUST BE ORDERED SEPARATELY.
PROVIDE SUITABLE REINFORCEMENT FOR ALL WALL SUPPORTS.
CONCEALED ARMS SUPPORT & EXPOSED BRACKET SUPPORT TO BE FURNISHED BY OTHERS.

IMPORTANT: Dimensions of fixtures are nominal and may vary within the range of tolerances established by ANSI Standard A112.19.2. These measurements are subject to change or cancellation. No responsibility is assumed for use of superseded or voided pages.