

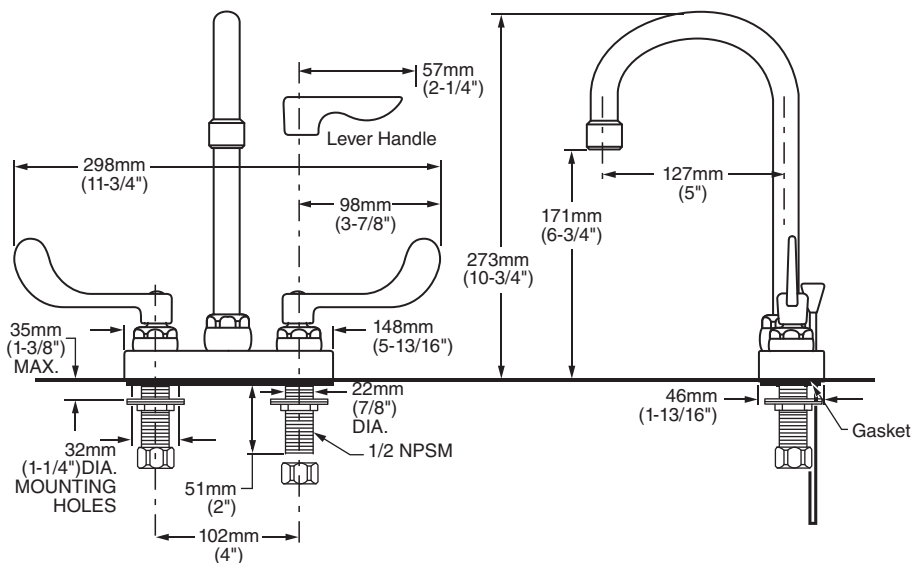
**TWO-HANDLE CENTERSET LAVATORY FAUCET WITH LIMITED SWIVEL GOOSENECK SPOUT**



7545.170 Shown

**MODEL NUMBER:\***

- 7545.170 Centerset Lavatory**  
 1.5 gpm Pressure Compensating Aerator. Gooseneck spout, swivel is limited to 140°. Vandal-Resistant Wrist Blade handles. Less drain and pop-up hole.



**GENERAL DESCRIPTION:**

Durable cast brass construction. 1/2" male threaded inlet shanks with brass shank nuts and coupling nuts. 1/4 turn ceramic disc valve cartridges. Gooseneck swivel spout. Limited swivel design restricts swing to 140°. Vandal-Resistant Wrist Blade handles with blue & red color indexes. 1.5 gpm/5.7L/min. maximum flow rate. Vandal-Resistant and Laminar Flow aerators are available.

**PRODUCT FEATURES:**

- Limited Swivel Spout:** Swing is restricted to 140° to prevent water spills behind the sink.
- Pressure Compensating Aerator:** Provides a constant water flow of 1.5 gpm throughout the pressure range
- Solid Brass Construction:** Durable - Excellent in high use applications. Ideal for prolonged contact with water.
- Ceramic Disc Valve Cartridge:** Assures a lifetime of drip-free performance.
- Lead Free:** Faucet contains ≤ 0.25% total lead content by weighted average.

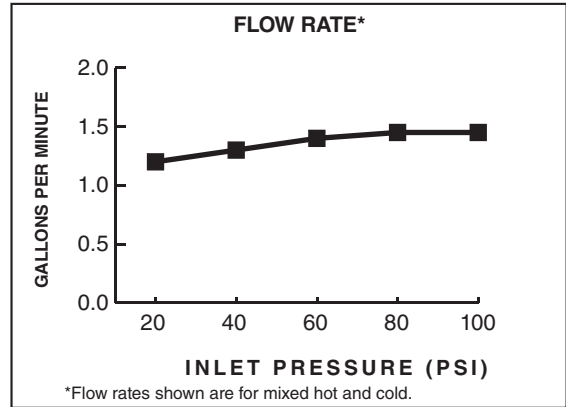
**SUGGESTED SPECIFICATION:**

4" centerset lavatory faucet shall be cast brass construction with all brass shank nuts and coupling nuts. Gooseneck swivel spout with swing limited to 140°. Shall feature water-conserving 1.5 gpm/5.7L/min. pressure compensating aerator. Vandal-Resistant handles. Shall also feature 1/4 turn washerless ceramic disc valve cartridges. Fitting shall be American Standard Model # 7545.170.002.

**CODES AND STANDARDS**

These products meet or exceed the following codes and standards:

- ANSI A117.1**
- ASME A112.18.1**
- CSA B 125**
- NSF 61/Section 9 and Annex G**



Product Number	Description	Finish
		Polished Chrome
		002
7545.170	Centerset Lavatory with limited swivel gooseneck spout. 1.5 gpm/5.7L/min pressure compensating aerator. Vandal-Resistant Wrist Blade Handles. Less drain and pop-up hole.	

MEETS THE AMERICANS WITH DISABILITIES ACT GUIDELINES AND ANSI A117.1 REQUIREMENTS FOR ACCESSIBLE AND USABLE BUILDING FACILITIES-CHECK LOCAL CODES

**Other Aerators Available:**

Part Suffix	Description
LV22	2.2 gpm (8.3 Lpm) Vandal-Resistant Non-Aerated Laminar Flow Outlet
V22	2.2 gpm (8.3 Lpm) Vandal-Resistant Aerator
A15LV	Anti-Microbial 1.5 gpm (5.7 Lpm) Vandal-Resistant Non-Aerated Laminar Flow Outlet
LV15	1.5 gpm (5.7 Lpm) PCA Vandal-Resistant Non-Aerated Laminar Flow Outlet
V15	.5 gpm (5.7 Lpm) PCA Vandal-Resistant Aerator
LV10	1.0 gpm (3.8 Lpm) PCA Vandal-Resistant Non-Aerated Laminar Flow Outlet
V10	1.0 gpm (3.8 Lpm) PCA Vandal-Resistant Aerator
V05	0.5 gpm (1.9 Lpm) PCA Vandal-Resistant Non-Aerated Spray
V035**	0.35 gpm (1.3 Lpm) PCA Vandal-Resistant Non-Aerated Spray

\*PCA - Pressure Compensating

\*\*Meets Cal Green Code