

ASSEMBLY & INSTALLATION INSTRUCTIONS

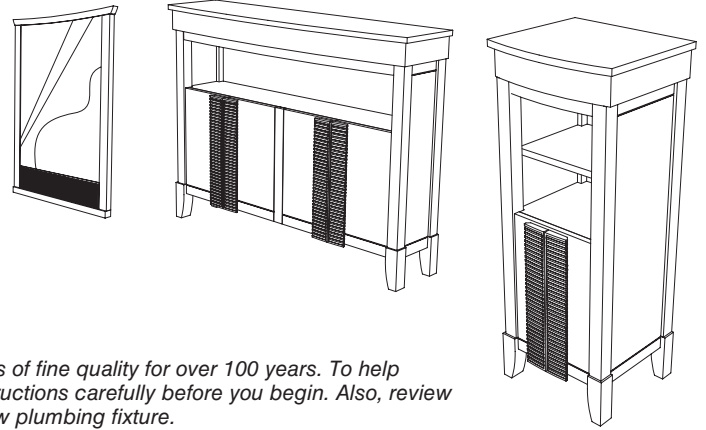
TROPIC MIRROR 9212101

TROPIC CONSOLE CABINET 9212300

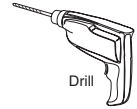
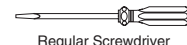
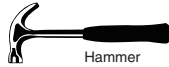
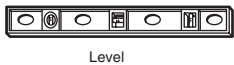
TROPIC DEMI-APOTHECARY CABINET 9212200

Thank you for selecting our products...products which have been the benchmarks of fine quality for over 100 years. To help ensure that the installation process will proceed smoothly, please read these instructions carefully before you begin. Also, review the recommended tools and materials list; carefully unpack and examine your new plumbing fixture.

To maintain the beauty of the finish, avoid placing the furniture in direct sunlight, as sunlight causes fading. Also avoid extreme changes in temperature by arranging furniture away from radiators, heat and air vents, and air conditioning units. Avoid placing furniture directly under windows.



Recommended Tools & Materials



TROPIC MIRROR 9212101 INSTALLATION

NOTE: Where possible, try to affix to a stud or provide adequate wall support for the size and weight of the mirror.

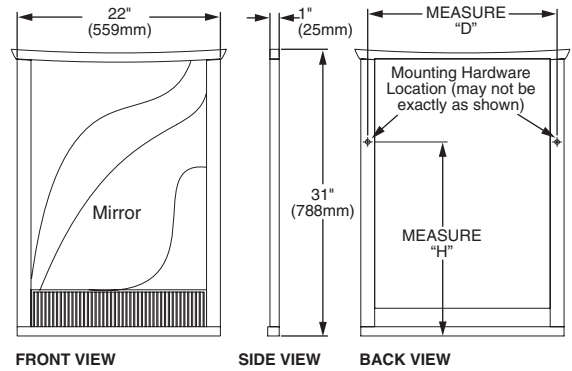
Measure distance "D" between Wall Mounting hardware, and distance "H" from base of Mirror.

Pre-drill holes in wall for Plastic Anchors (use when no stud is available) to the required "D" measurement and desired height from the floor (preferred height of bottom of Mirror from floor + "H" for a total height).

Insert Plastic Anchors provided into the pre-drilled holes and thread the screw hardware into the Plastic Anchor using a proper screwdriver. Allow the head to protrude from the Plastic Anchor adequate to hold the mounting hardware securely in place.

Mount the Mirror to the wall by fitting the mounting hardware onto the protruding screw head.

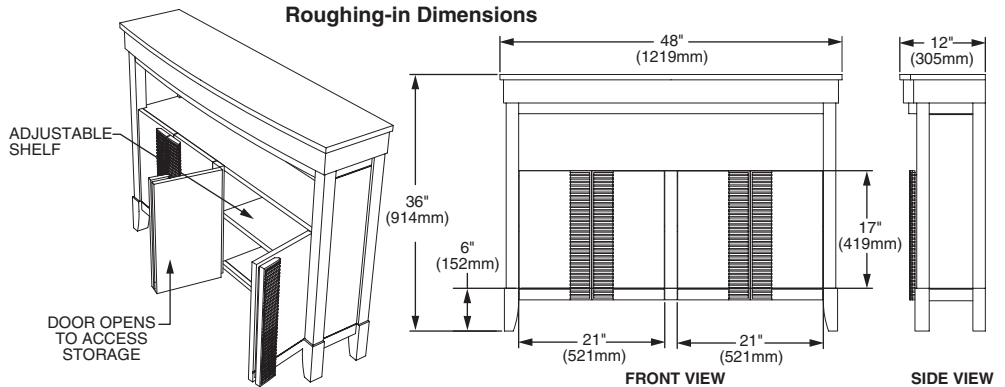
Roughing-in Dimensions



TROPIC CONSOLE CABINET 9212300 INSTALLATION

Move the Console Cabinet into desired location and level with the adjustable levellers on the bottom of the feet. The levellers can be adjusted outward up to 1" but it is recommended not to exceed 1/2" if possible.

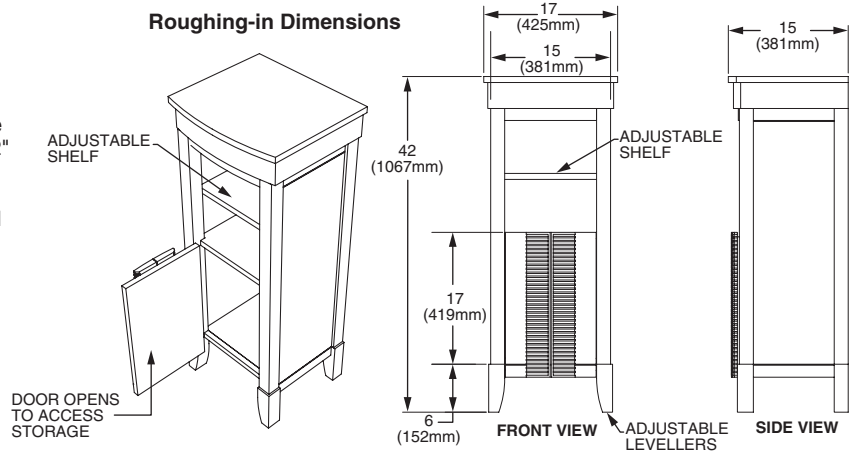
Ensure adjustable shelf is placed securely onto shelf clips inserted into the side panels of the cabinet.



TROPIC DEMI-APOTHECARY CABINET 9212200 INSTALLATION

Move the Demi-Apothecary into desired location and level with the adjustable levellers on the bottom of the feet. The levellers can be adjusted outward up to 1" but it is recommended not to exceed 1/2" if possible.

Ensure adjustable shelf is placed securely onto shelf clips inserted into the side panels of the cabinet.



REPLACEMENT PARTS LIST

TROPIC MIRROR 9212101

TROPIC CONSOLE CABINET 9212300

TROPIC DEMI-APOTHECARY 9212200

MIRROR 9212101	CONSOLE CABINET 9212300	DEMI-APOTHECARY 9212200
----------------	-------------------------	-------------------------

REPAIR PART NO.	DESCRIPTION	MIRROR 9212101	CONSOLE CABINET 9212300	DEMI-APOTHECARY 9212200
730679-0070A	Threaded Leveler (1 per pack)		X	X
730744-0070A	Shelf Clips For Adjustable Shelf (4 per pack)		X	X
730684-0070A	Mounting Kit (1 per pack)	X		

Care and Cleaning

Clean the product by using soft, slightly damp cloth. Buff the product by using a soft dry cloth. When cleaning the mirror, spray the mirror with a glass cleaner and wipe clean. Avoid using silicone cleaners and waxes.

Clean up excess water and spills immediately. Use a blotting rather than a wiping action. Water left over a long period of time will cause white spots in the finish.

NOTE: Please note that some chemicals may damage the finish. Take care to avoid the following: iodine, hair dye, after shave lotion, shaving cream, alcohol, perfume, Lestoil®, Lysol Tub and Tile Cleaner®, Lysol Spray Disinfectant®, Dow Disinfectant®, acetone, paint remover, Formula 409®, Tile-X®, and Nair®.

AS AMERICA, INC. BATH FURNITURE LIMITED WARRANTY

If inspection of this AS America, Inc. ("American Standard") plumbing product, within one year after its initial purchase, confirms that it is defective in materials or workmanship, American Standard will repair or, at its option, exchange the product for a similar model. Variations in actual wood color and finishes which may result from natural characteristics of the wood, such as grain patterns, mineral streaks and the like, are not defects and are not covered by this limited warranty.

This limited warranty applies only to the original purchaser and installation of these products. In the event of a claim, proof of purchase will be required; save your receipt.

This limited warranty does not apply to local building code compliance. Since local building codes vary considerably, the purchaser of this product should check with a local building or plumbing contractor to insure local code compliance before installation.

This limited warranty is void if the product has been moved from its initial place of installation; if it has been subjected to faulty maintenance, abuse, misuse, accident or other damages; if it was not installed in accordance with American Standard's instructions; or if it has been modified in a manner inconsistent with the product as shipped by American Standard.

American Standard's option to repair or exchange the product under this limited warranty does not cover any labor or other costs of removal or installation, nor shall American Standard be responsible for any other incidental or consequential damages attributable to a product defect or to the repair or exchange of a defective product, all of which are expressly excluded from this limited warranty. This limited warranty does not cover any liability for consequential or incidental damages, all of which are hereby expressly disclaimed, or the extension beyond the duration of this limited warranty of any implied limited warranties, including those of merchantability or fitness for an intended purpose. (Some states or provinces do not allow the exclusion or limitation of implied limited warranties, so this exclusion may not apply to you).

This limited warranty gives you specific legal rights. You may have other statutory rights that vary from state to state or province to province, in which case this limited warranty does not affect such statutory rights.

For service under these limited warranties, it is suggested that a claim be made through the contractor or dealer from or through whom the product was purchased, or that a service request (including a description of the product model and of the defect) be sent to the following address:

In the United States:

American Standard Brands
P.O. Box 6820
Piscataway, New Jersey 08855
Attention: Director of Consumer Affairs

For residents of the United States, warranty information may also be obtained by calling the following toll free number: (800) 442-1902
www.americanstandard-us.com

In Canada:

AS Canada ULC
2480 Stanfield Rd.
Mississauga, Ontario
Canada L4Y 1S2

Toll Free: (800) 387-0369
www.americanstandard.ca

In Mexico:

Customer Service Manager
AS Maquila, S.A. de C.V.
Via Morelos #330
Col. Santa Clara
Ecatepec 55540 Edo. Mexico
www.americanstandard.com.mx