

### FEATURED MODEL

440666 Side Spray, CHROME

### ADDITIONAL MODELS

440665 Side Spray, SATIN NICKEL

### FEATURES

- Solid brass body and all metal side spray
- Ceramic disk cartridge
- Extra long supply lines
- 2.2 GPM flow rate
- Installation in a 1-3/8" hole
- Color coded hot and cold supply lines
- 360 degree spout swivel
- 1-3/4" maximum deck thickness

### OPTIONAL ACCESSORIES

Alta Soap Dispenser: 440046 (Chrome)

### CODE/STANDARDS COMPLIANCE

- ASME A112.18.1-2011
- NSF 61 certified
- NSF 61 ANEX G low lead requirements

**AB1953 Lead Free**



Model 440666 shown

### NOMINAL DIMENSIONS

REACH	SPOUT HEIGHT	FAUCET HEIGHT
8-1/2"	8"	10-1/4"

### WARRANTY

BLANCO'S kitchen and bar faucets feature a LIMITED LIFETIME WARRANTY to be free of all manufacturing defects under normal use. See our complete warranty for details.

While BLANCO endeavors to provide accurate information, all dimensions are nominal, cannot be guaranteed, and are subject to change or cancellation. BLANCO assumes no responsibility for use of superseded or voided specifications.

### JOB INFORMATION

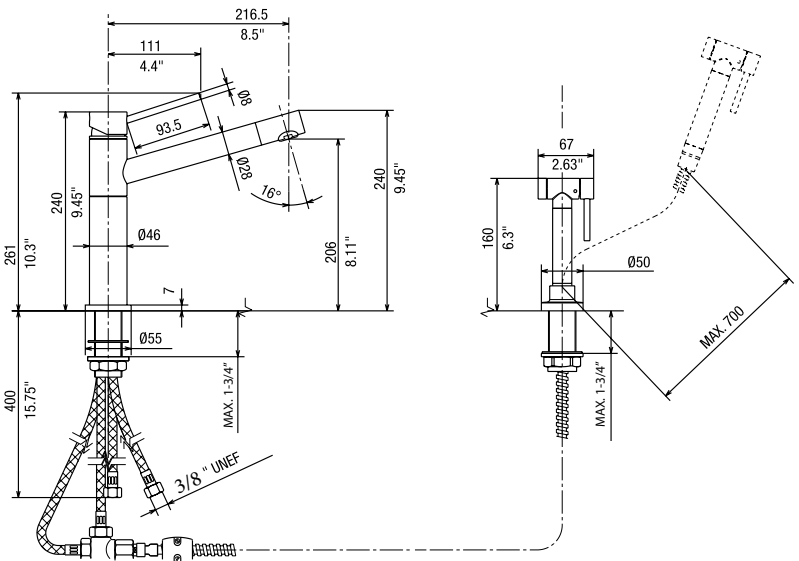
Job Name: \_\_\_\_\_

Contact: \_\_\_\_\_

Date Specified: \_\_\_\_\_

Specifier: \_\_\_\_\_

Contractor: \_\_\_\_\_



See next page for exploded parts drawing and parts list.

**BLANCO AMERICA**

800.451.5782

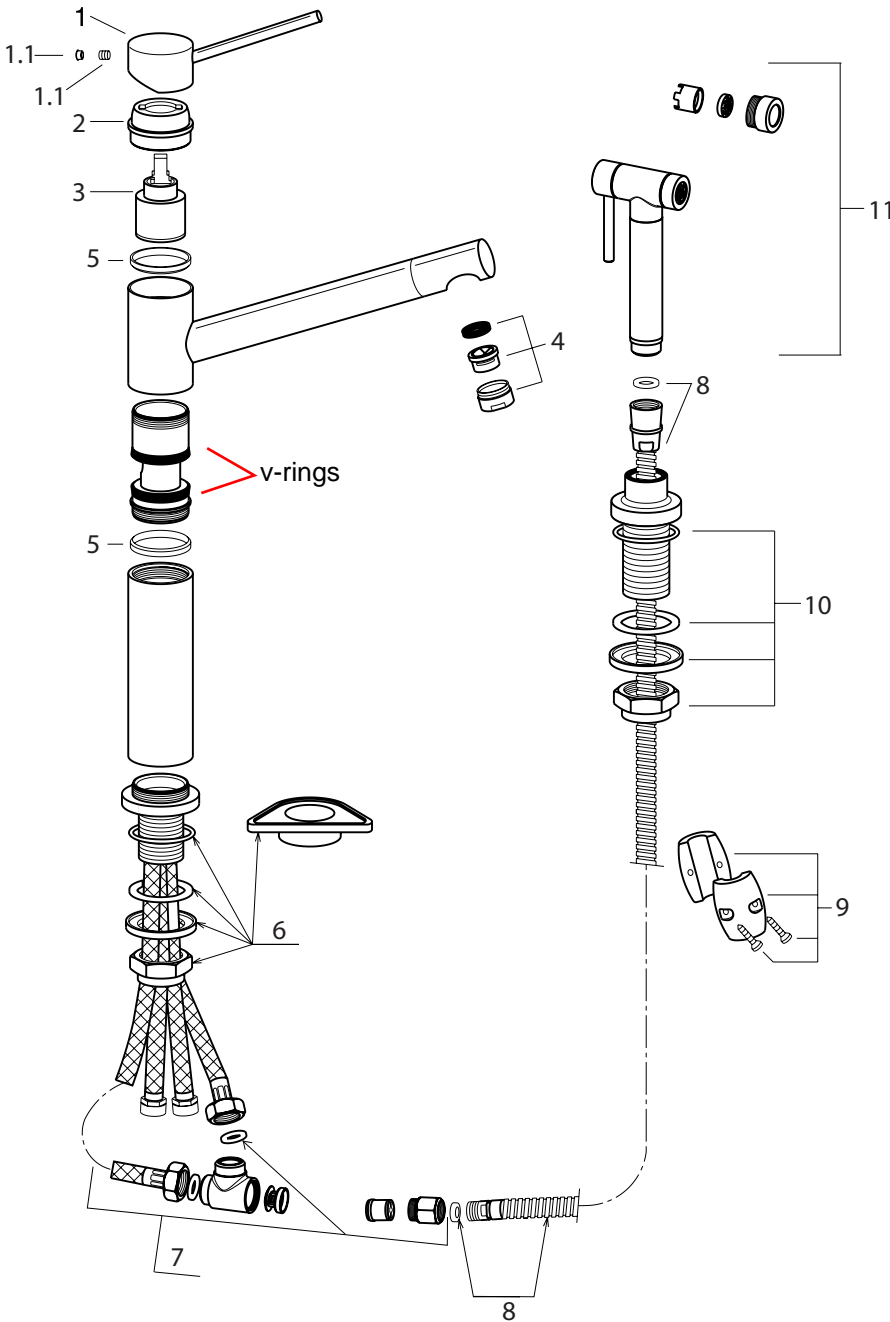
www.blancoamerica.com

© 2013 BLANCO AMERICA

7/13

SPEC-003

Old Model #: 157-066-CR



REPAIR PART GUIDE		
Num.	Description	Part #
1,1,1	Handle - Chrome	441887
1.1	Handle screw and cap	440889
2	Cartridge lock nut	441889
3	Cartridge	440877
4	Aerator set	440766
5	Plastic rings	441893
6	Mounting hardware	441892
7	Check valve 2.2 GPM	440891
8	Pull-out hose	440878
9	Weight	441917
10	Side spray - mounting hardware	441894
11	Side spray - Chrome	440883

**Need to Change a Faucet Cartridge?**

Scan this QR code to see our how-to video

For faucet technical support or questions,  
 please e-mail us at [faucets@blancoamerica.com](mailto:faucets@blancoamerica.com)