



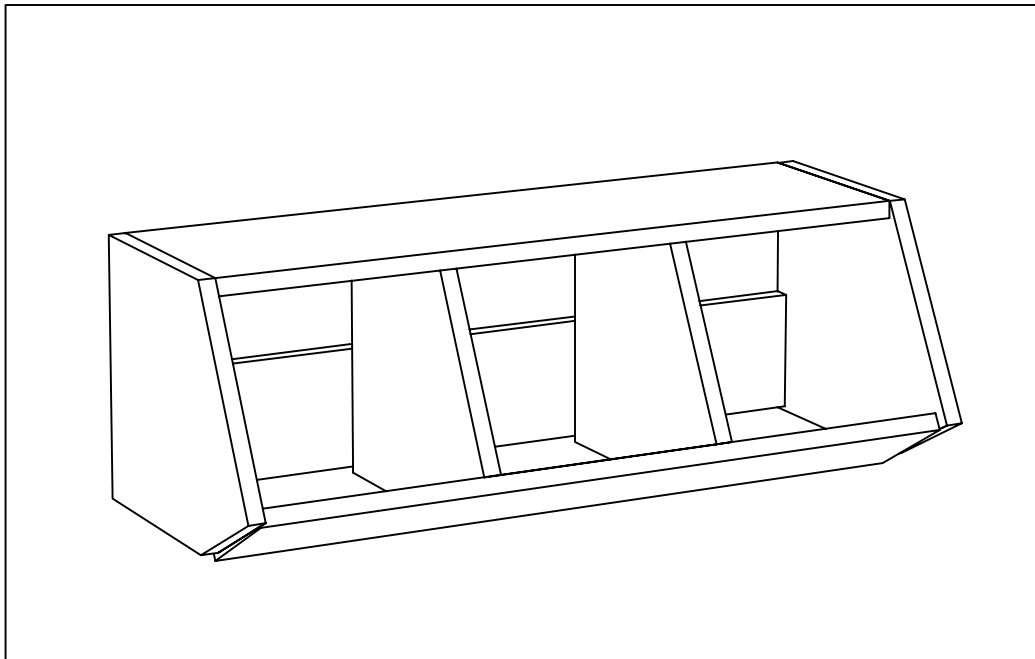
IF PARTS ARE MISSING AND OR DEFECTIVE, IF INSTRUCTIONS ARE NOT CLEAR  
OR IF YOU ARE EXPERIENCING PROBLEMS ASSEMBLING OUR PRODUCT.

**BEFORE YOU RETURN THE PRODUCT TO THE STORE,  
PLEASE CALL US TOLL FREE FOR CUSTOMER SERVICE ASSISTANCE  
(888) 777-8250**

**OR SEND US EMAIL AT**

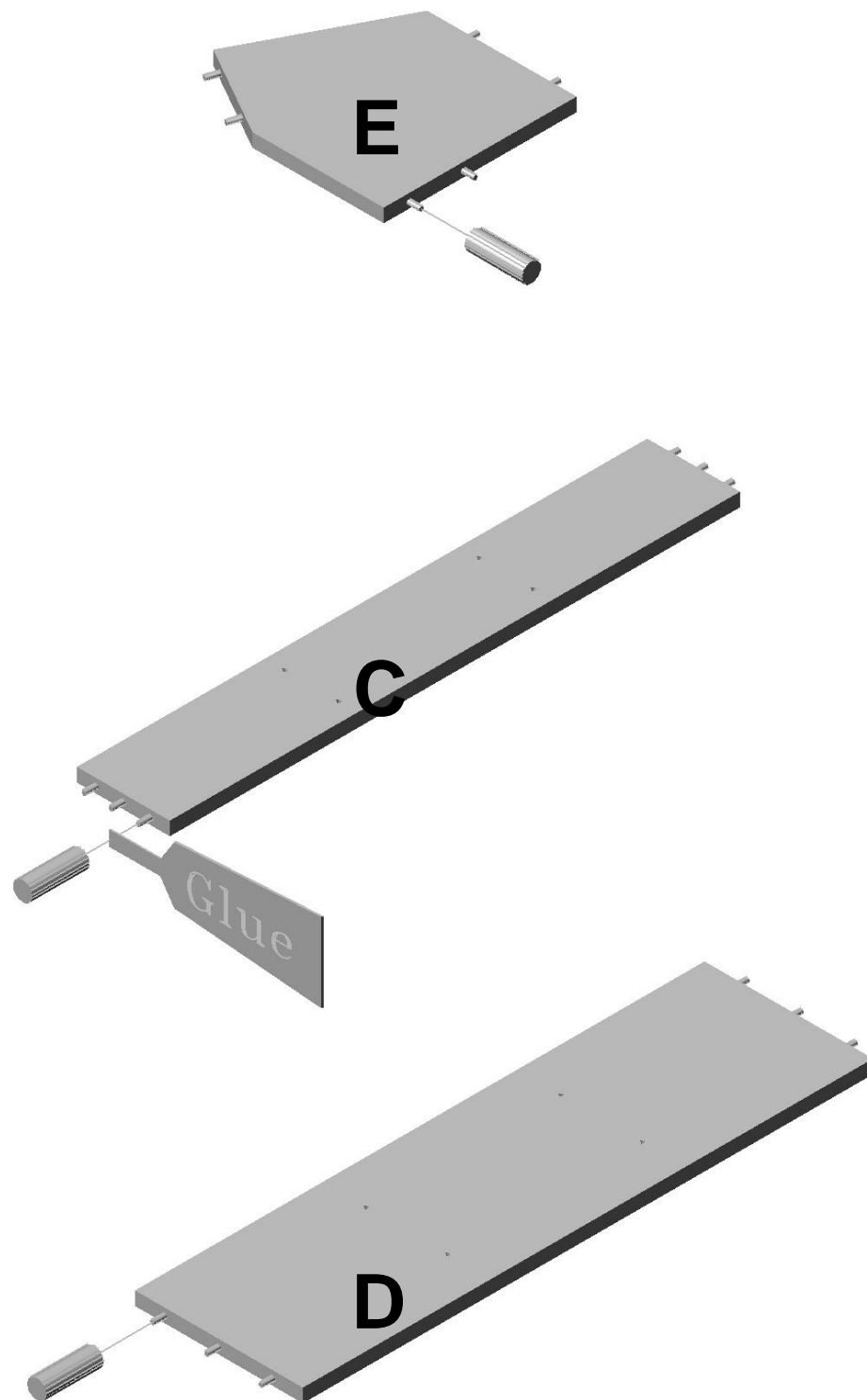
**[help@spartakent.com](mailto:help@spartakent.com)**

PLEASE HAVE ITEM NUMBER READY, AND A REPRESENTATIVE WILL GLADLY ASSIST YOU



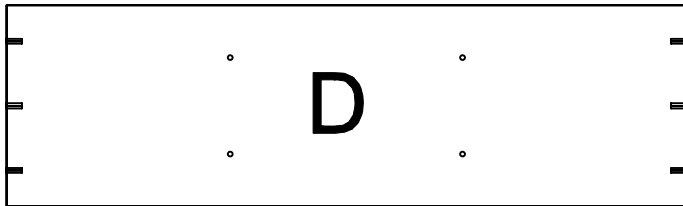
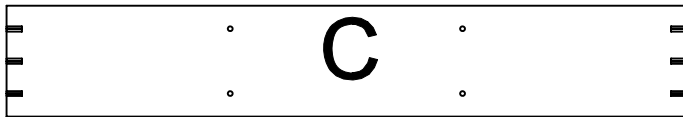
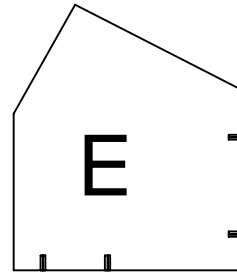
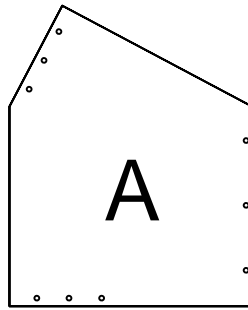
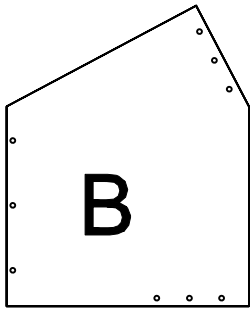
1

NOTE: Make sure the dowels go in as far as possible. they should stick out no more than  $\frac{3}{8}$  of an inch.



# PARTS IDENTIFICATION

NOTE: FIRST MAKE SURE THAT YOU HAVE ALL OF THE PARTS LISTED ON THIS SHEET. IF YOU ARE MISSING ANY PIECE(S), DO NOT ASSEMBLE THE UNIT. INSTEAD, CALL CUSTOMER SERVICE NUMBER AT: (888) 777-8250. WE WILL BE HAPPY TO ASSIST YOU.



Wood dowel-34pcs  
part #DOWW525



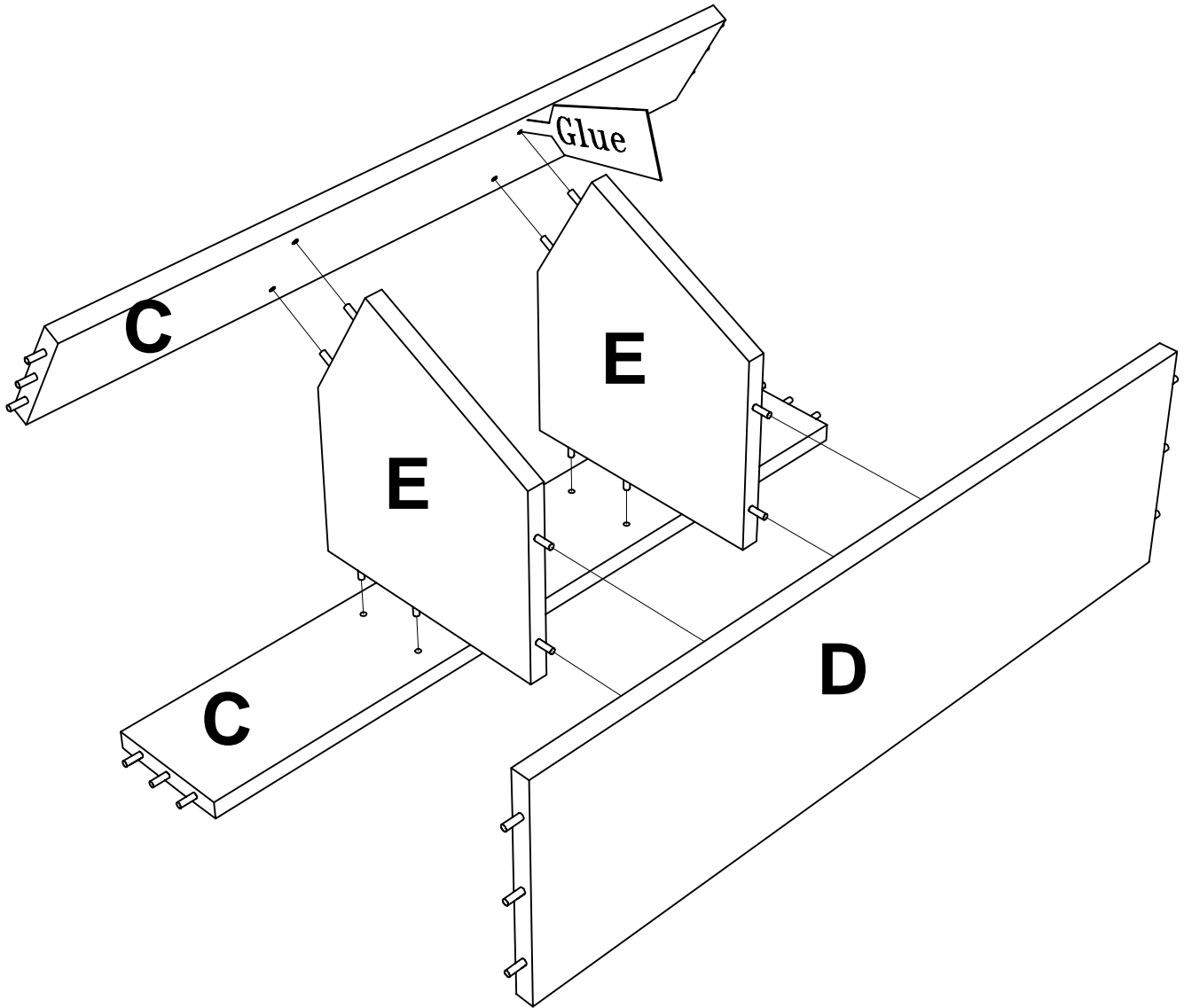
Part #Gluews

4860A-Left Side  
4860B-Right Side  
4860C-Brace  
4860D-Top  
4860E-Divider

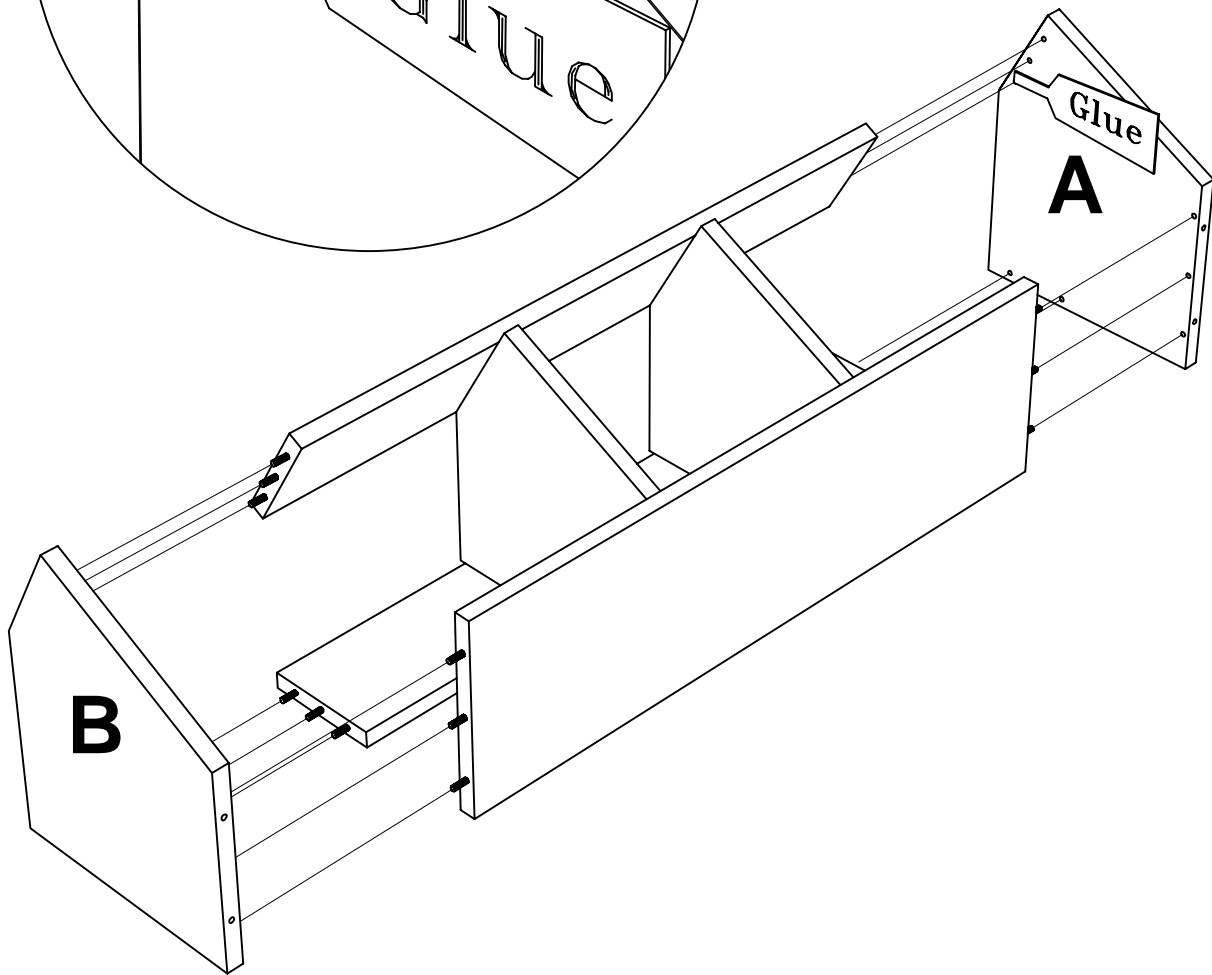
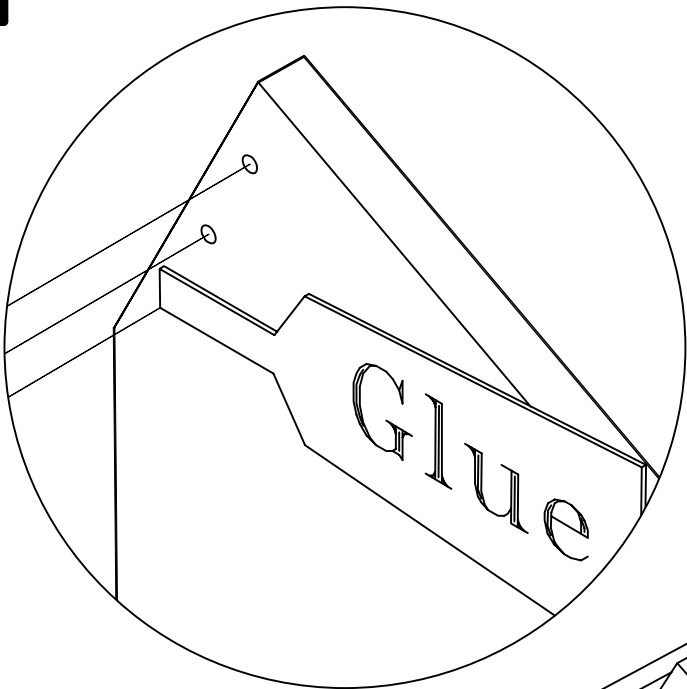
1pc  
1pc  
2pc  
1pc  
2pcs

**2**

Make sure finished or raw side of the parts are positioned in the direction indicated bellow.



3



4

