

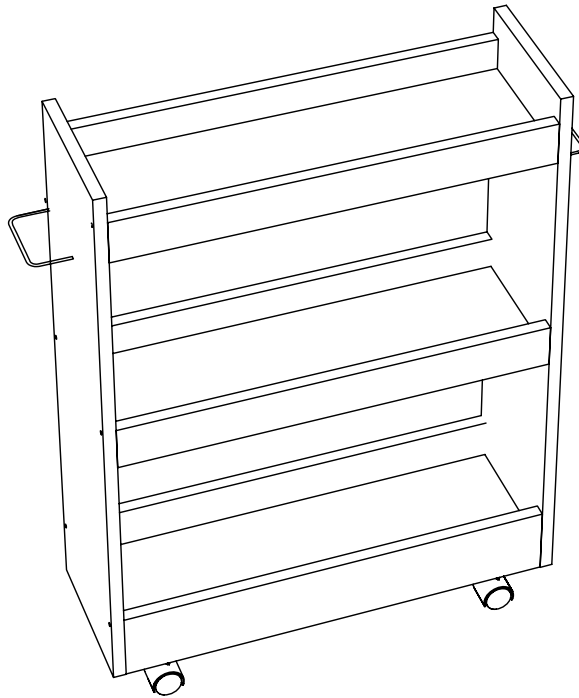


IF PARTS ARE MISSING AND OR DEFECTIVE, IF INSTRUCTIONS ARE NOT CLEAR  
OR IF YOU ARE EXPERIENCING PROBLEMS ASSEMBLING OUR PRODUCT.

**BEFORE YOU RETURN THE PRODUCT TO THE STORE,  
PLEASE CALL US TOLL FREE FOR CUSTOMER SERVICE ASSISTANCE  
(888) 777-8250**

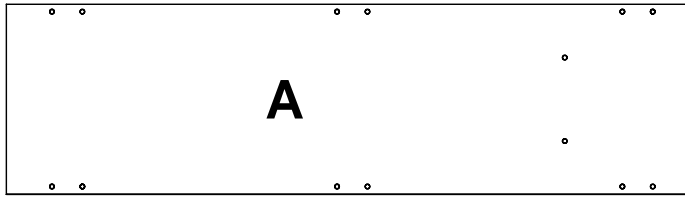
**OR SEND US EMAIL AT  
help@spartakent.com**

PLEASE HAVE ITEM NUMBER READY, AND A REPRESENTATIVE WILL GLADLY ASSIST YOU



# PARTS IDENTIFICATION

NOTE: FIRST MAKE SURE THAT YOU HAVE ALL OF THE PARTS LISTED ON THIS SHEET. IF YOU ARE MISSING ANY PIECE(S), DO NOT ASSEMBLE THE UNIT. INSTEAD, CALL CUSTOMER SERVICE NUMBER AT: (888) 777-8250. WE WILL BE HAPPY TO ASSIST YOU.



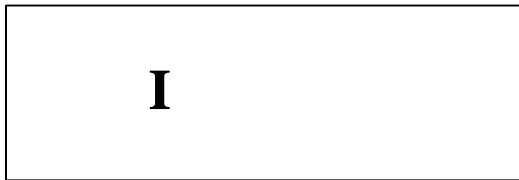
**A**



**C**



**B**



**I**

4010A-Side 2pcs    4010C-Rail 2pcs

4010B-Rail 4pcs    4010I-Shelf 3pcs

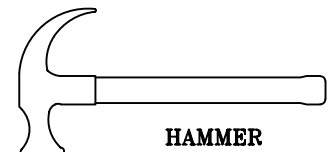
# HARDWARE LIST

HARDWARE	PART #	DESCRIPTION	QTY
	PUPL128WH	HANDLE	2
	SP825BL	HANDLE SCREW	4
	UCHAN12	U-CHANNEL	4
	CAS40S	CASTER	4
	SFH845A	WOOD SCREW	12
	DOWW525	WOOD DOWEL	12
	SCWHS	SCREW COVER CAP	12

## TOOL REQUIRED



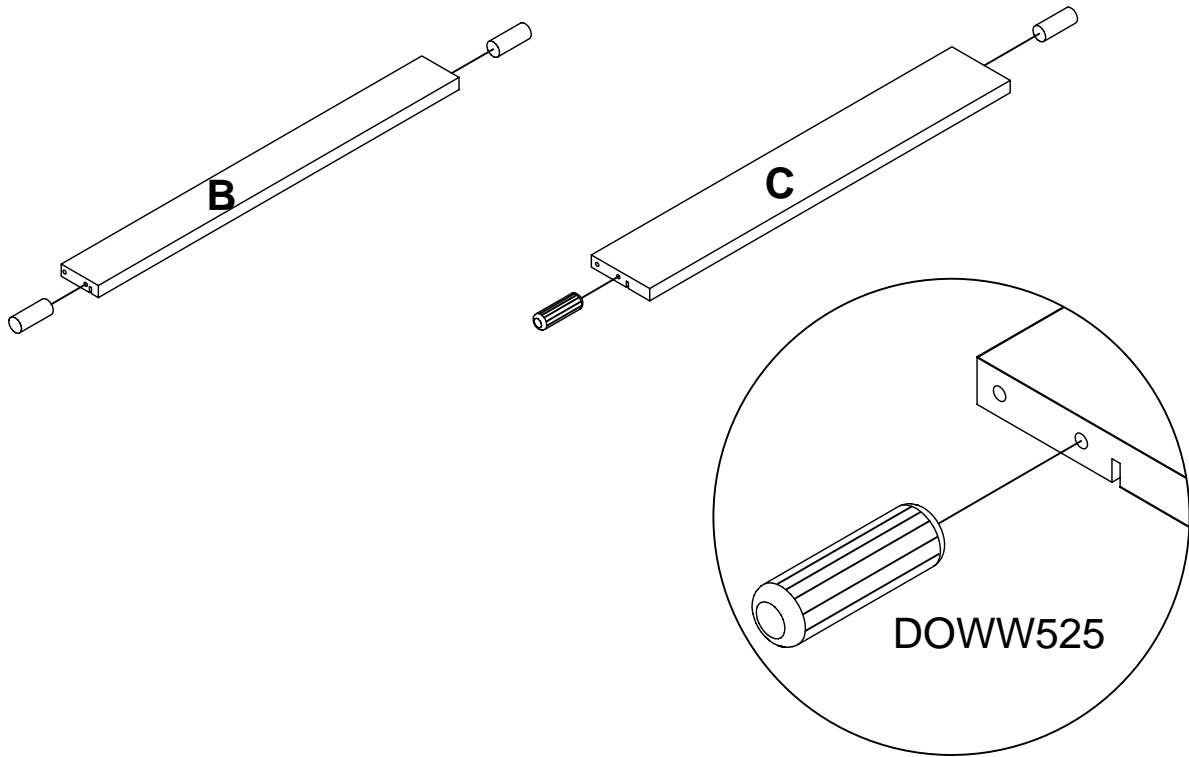
PHILLIPS SCREWDRIVER



HAMMER

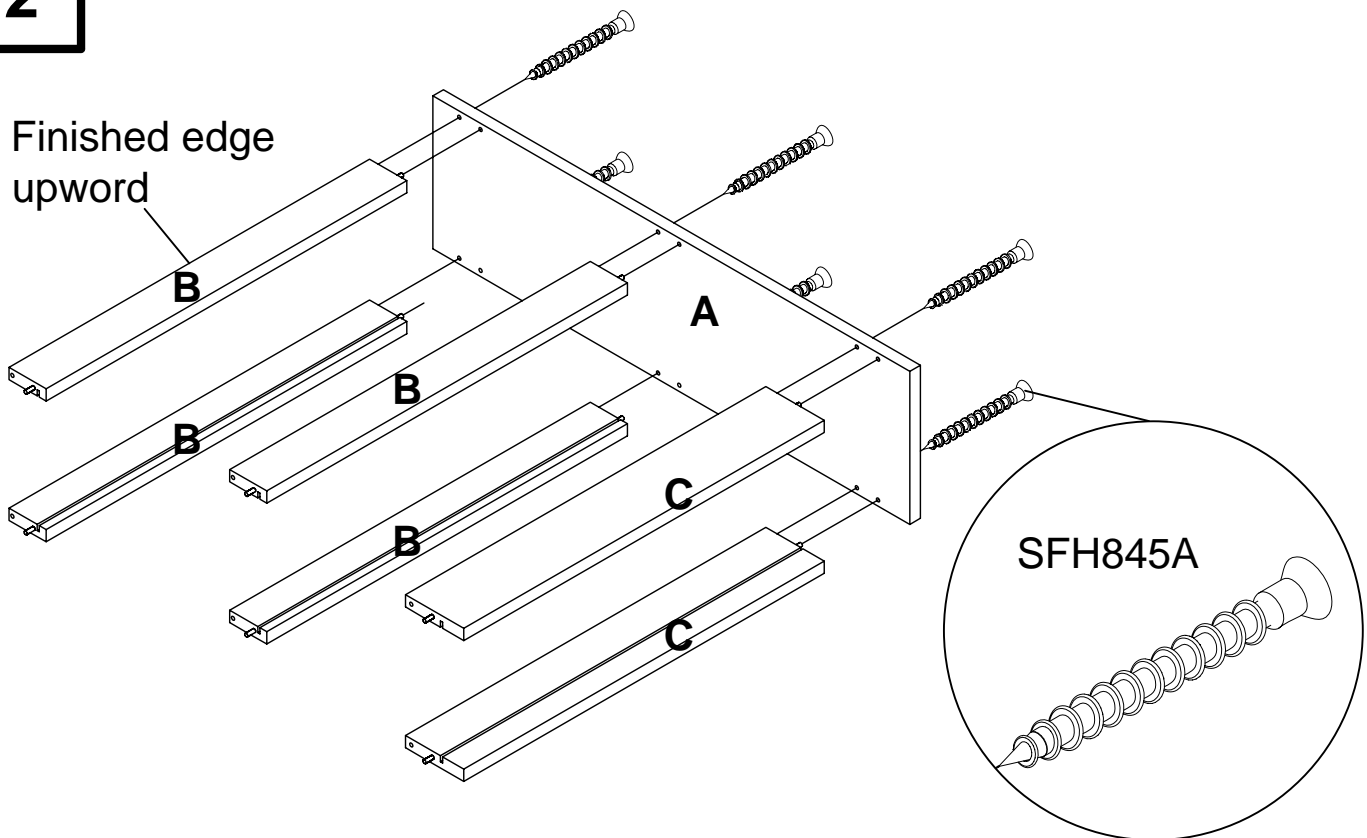
1

Press wood dowel in rails (B,C).



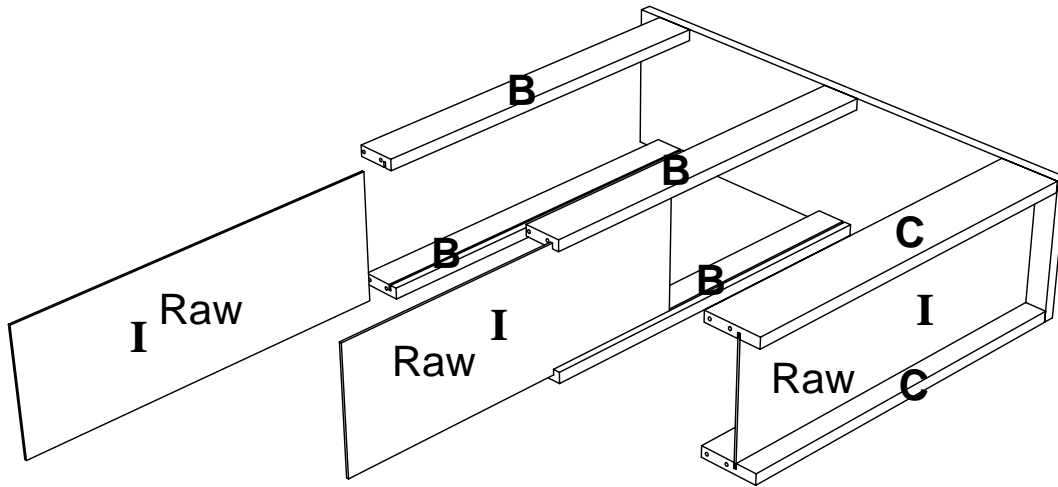
2

Attach rails (B,C) to panel (A) using six wood screw.



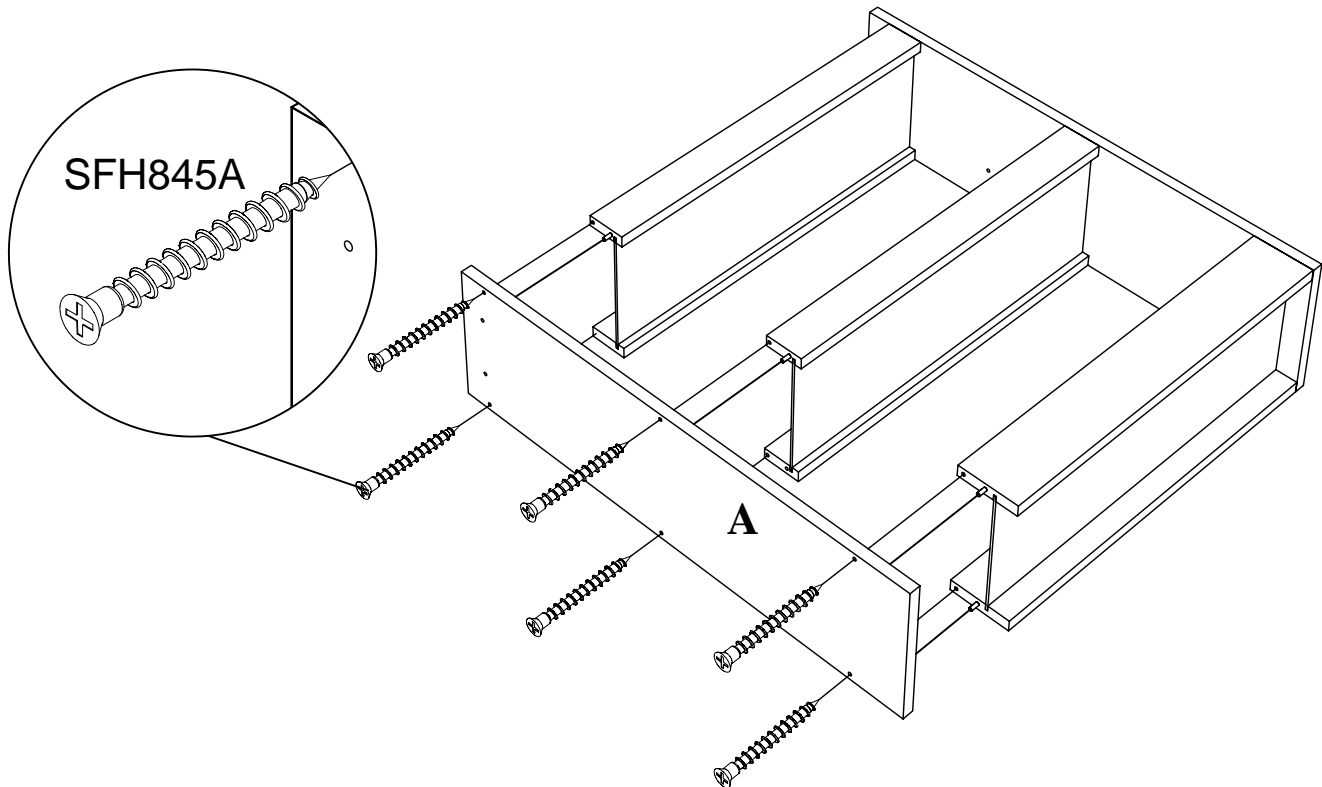
**3**

Slide part (I) into the slits in parts (B,C).



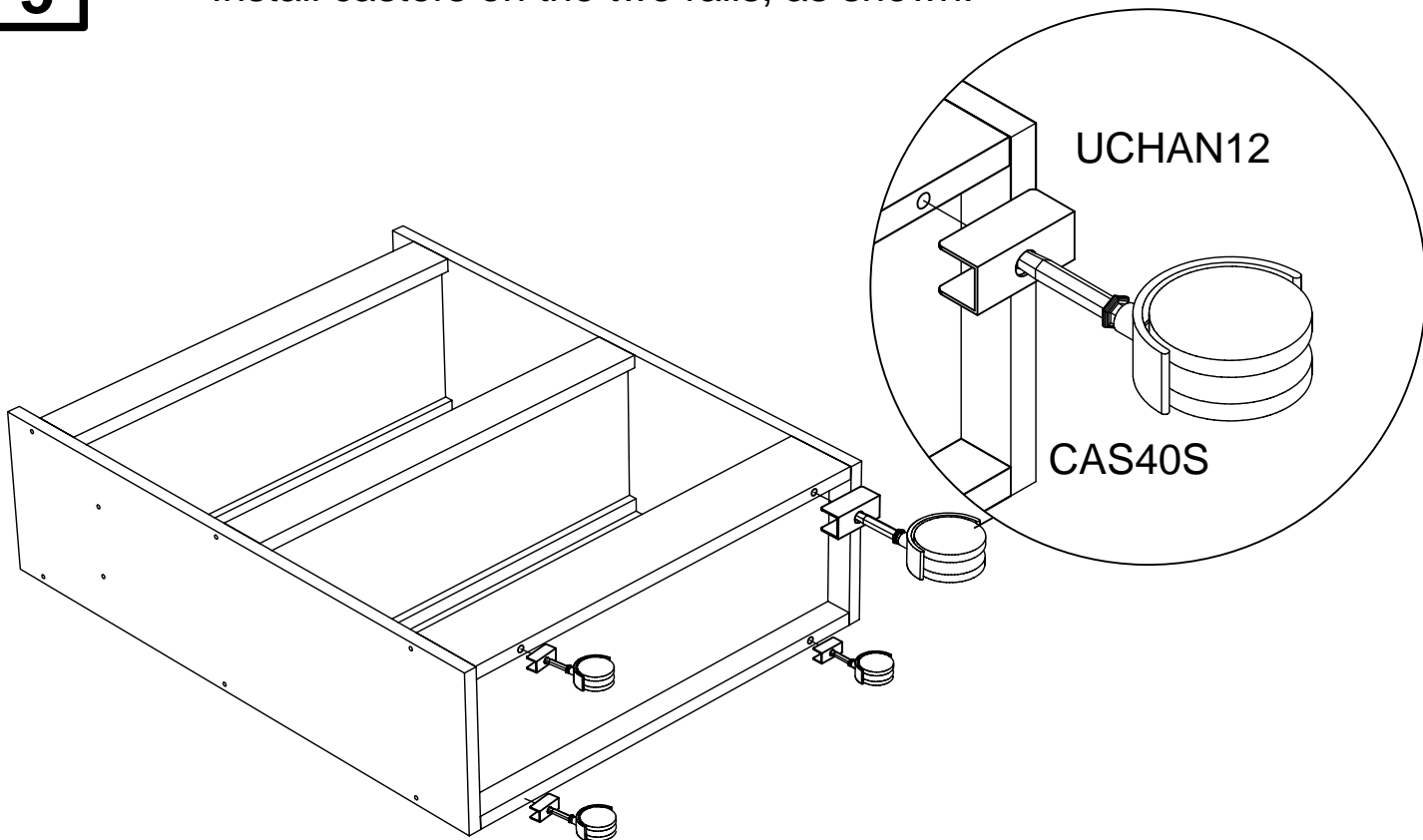
**4**

With six wood screws, attach another part (A) onto rails (B,C), as shown below.



**5**

Install casters on the two rails, as shown.



**6**

Stand the unit up, attach handles onto side panels using handle screws. Next, cover wood screws with plastic caps by slightly tapping on covers with hammer.

