

JONATHAN ADLER

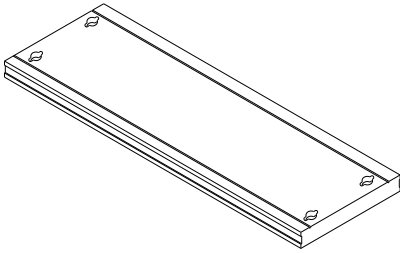
FURNITURE

Radcliffe Etagere

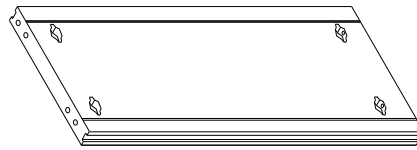
- For easy of assembly two people are recommended.

Parts Included:

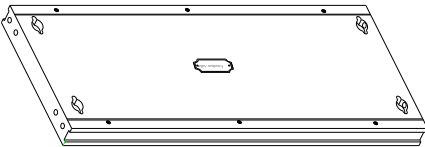
- Top panel(A)-1pc



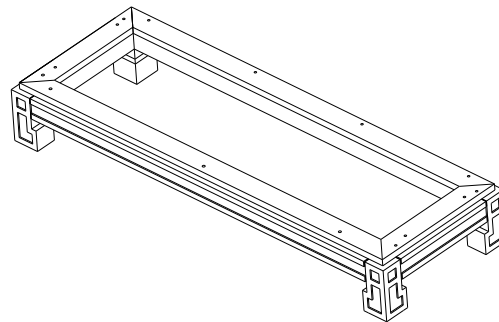
- Fixed panel(B)-1pc



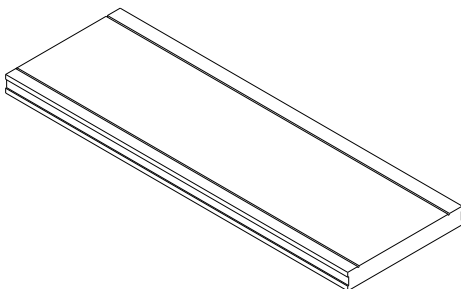
- Bottom panel(C)-1pc



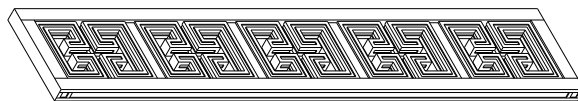
- Base (D) – 1pc



- Moveable shelf (E) – 3pcs



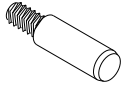

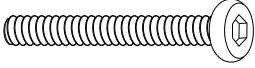
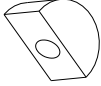
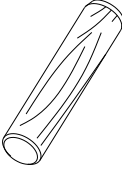
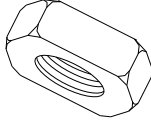
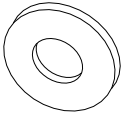

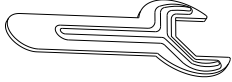



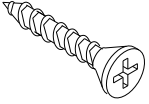
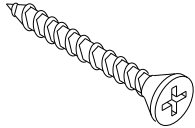
- Side panel (F) – 2pcs



JONATHAN ADLER

FURNITURE

● Hardware Enclosed:

①	 Φ 8x20mm	12pcs	②	 Φ 5mmx2-1/4"	1pc
③	 Φ 5/16"x2-1/2"	10pcs	④	 Φ 34mmx 15Wx30mmT	12pcs
⑤	 Φ 10x40mm	16pcs	⑥	 Φ 5/16"x12mm	12pcs
⑦	 Φ 19mmx1.5mm	22pcs	⑧	 Φ 5/16"x2-1/2"	12pcs
⑨	 Φ 10mmx3-3/8"	1pc	⑩	 Φ 13.5x1.5mm	22pcs
⑪	 L246mm	2pcs	⑫	 46x20.5x9mm	4pcs
⑬	 Φ 6.5x3.5x3/4"	4 pcs	⑭	 Φ 6.5x3.5x1-1/2"	4pcs

JONATHAN ADLER

FURNITURE

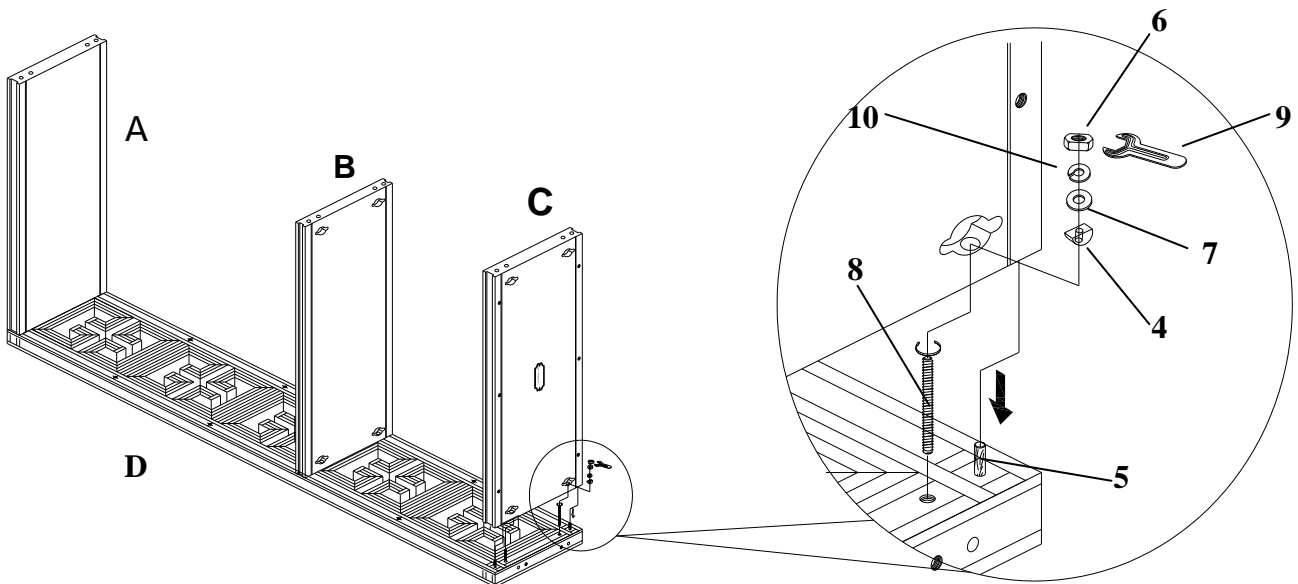
“Do not over tighten screws”

Please do not fasten the bolts before this unit is completely assembled.

Assembly Instruction:

Step1:

Carefully place 1pc Side panel (F) outer panel facing down on a carpeted or scratch-free surface. When positioning Side Panel(F) position the end with holes on the right side as zoom in drawing showed. Screw 6pcs bolt (8) into pre-inserted nuts and put 6pcs wood dowel (5) into the pre-drilled holes of Side Panel (F) in the right position as drawing showed. Attach 3pcs Panels (A/B/C) with Side Panel (F) by demilune nut (4), flat washer (7), spring washer (10), and hex nut (6) piece by piece. Tighten the hex nuts(6) with wrench (9).



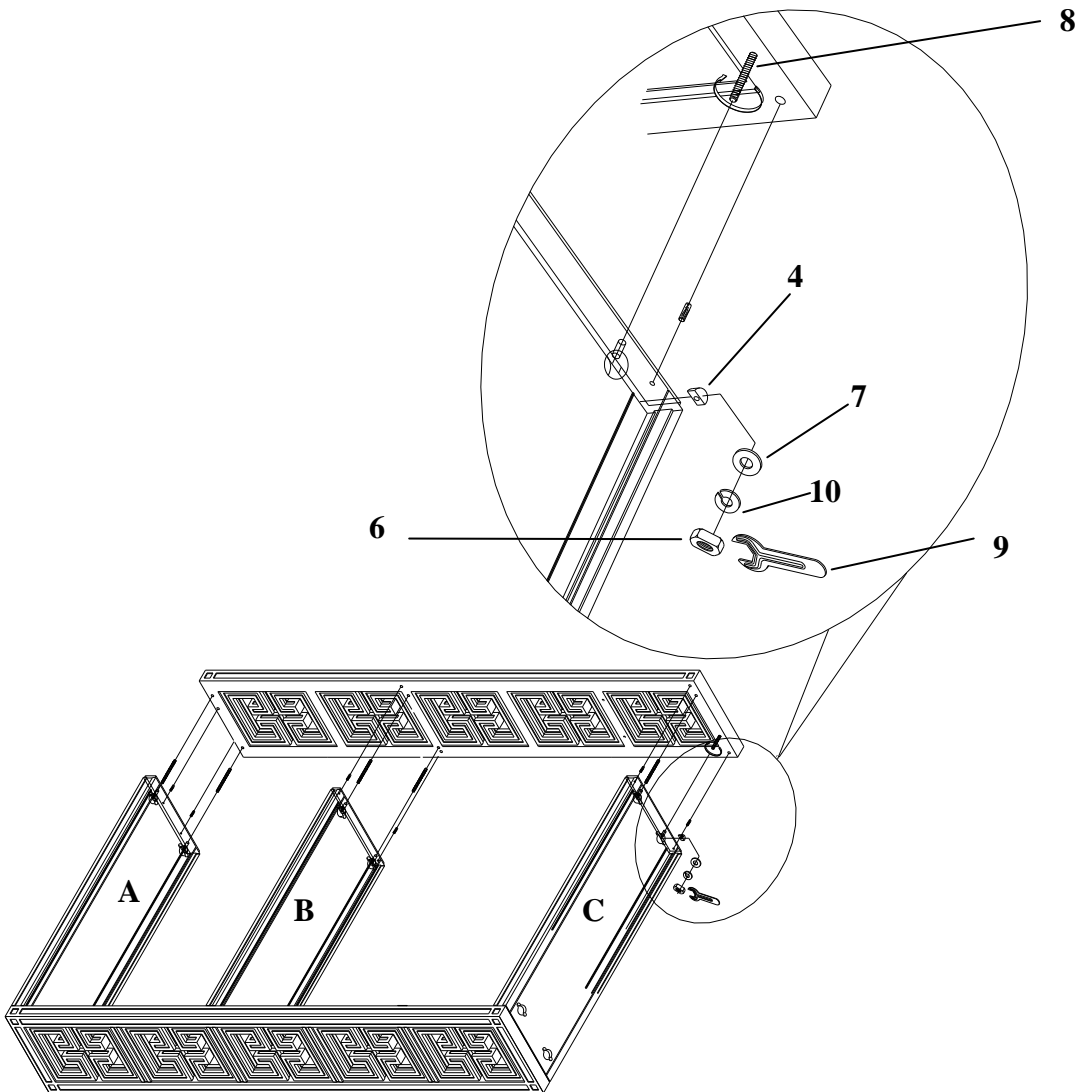
Caution: The side with holes for the Top panel (A) must face upward. The side with holes for the Fixed panel(B) and Bottom panel (C) must face downward.

JONATHAN ADLER

FURNITURE

Step 2:

Insert 6pcs wood dowel ⑤ into the pre-drilled holes of Panels (A/B/C), screw 6pcs bolt ⑧ into pre-inserted nuts on the other side of Panel (F). Attach the second Side Panel (F) to Panels (A/B/C) by demilune nut ④, flat washer ⑦, spring washer ⑩ and hex nut ⑥ piece by piece. Fasten all of the hex nuts ⑥.



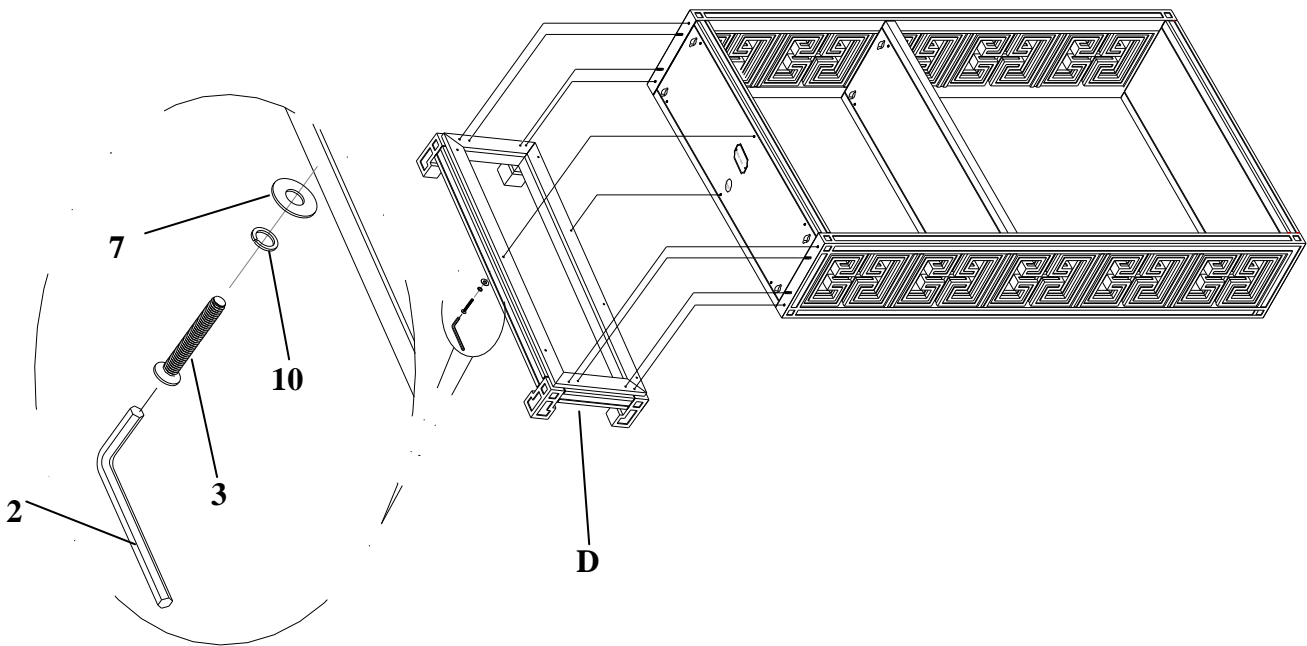
JONATHAN ADLER

FURNITURE

Step 3:

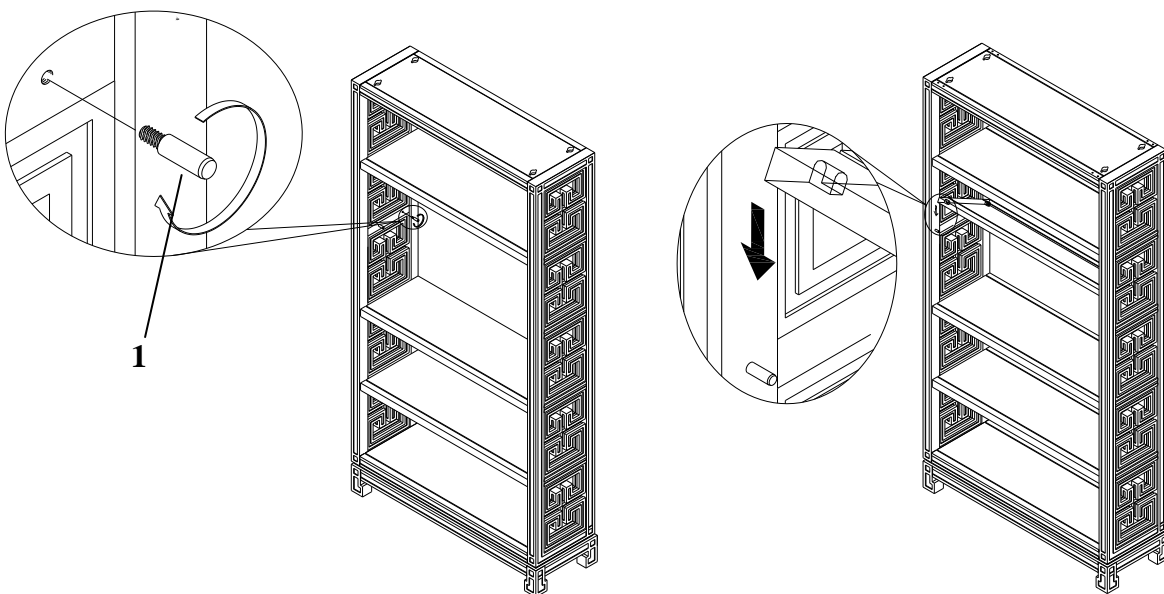
Insert 4pcs wood dowels ⑤ to bottom Panel(C).

Attach the base (D) to the assembled étagère by flat washer ⑦, spring washer ⑩ and bolts ③. Tighten the bolts ③ by Allen Key ②. Make sure all bolts are securely fastened.



Step 4:

Put the assembled étagère in the right direction as drawing showed. Screw 12pcs shelf pins ① into the pre-inserted nut of Side Panel (F) as zoom in drawing showed. Then put the 3pcs Moveable Shelves (E) onto the shelf pin ① piece by piece accordingly. Etagere is assembled completely.



JONATHAN ADLER

FURNITURE

Step 5: Furniture Tipping Restraint

Attach one of the plastic brackets securely (12) on the back of the furniture piece with two short wood screws (13). Determine the final position of furniture piece and locate a wall stud behind it. Position the second plastic bracket (12) on the stud approximately 1" below the mounted bracket. Mark and drill pilot hole into the center of the stud with a drill bit. Attach the plastic bracket (12) to the stud with the long wood screws (14) provided. Thread the nylon strap (11) through the bracket as show in below illustration. Tighten strap until snug. Do not over tighten.

