

# JONATHAN ADLER

## FURNITURE

### Jacques Coffee Table

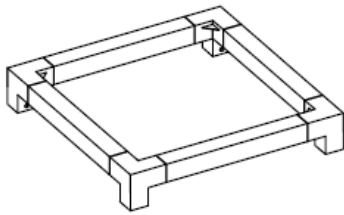
Assembly Instruction

- For ease of assembly two people are recommended.

Parts Included:

**Box 1:**

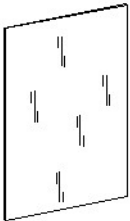
- (1pc) Top frame – A



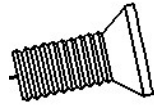


- (4pcs) Side leg – B



- (1pc) Clear Tempered Glass Shelf – C

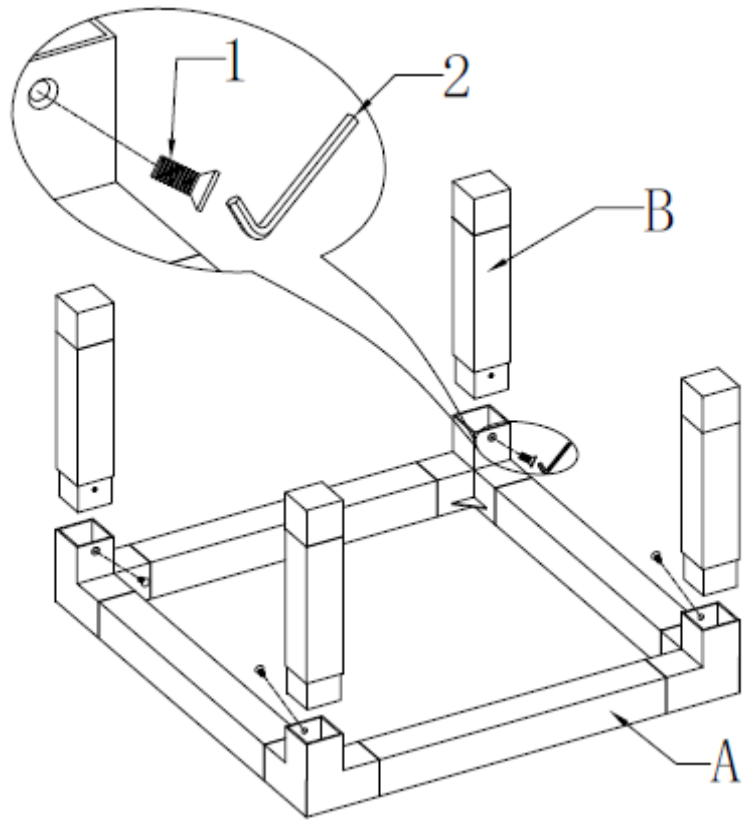


Hardware Enclosed :

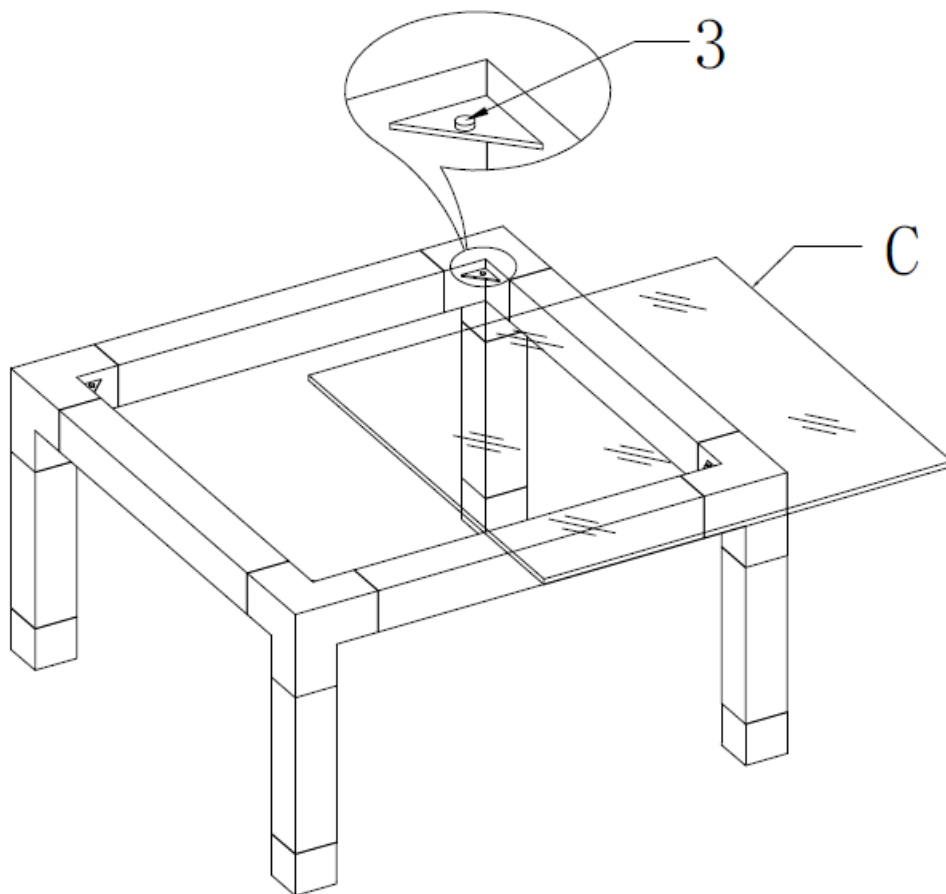
①	 <b>1/4"-20Tx15mmL</b>	4pcs
②	 <b>Allen Wrench</b>	1pc
③	 <b>Rubber Pads</b>	4pcs

Assembly Instructions:

1. Remove all the components from their boxes and place them on a carpeted or scratch-free surface. Place the Top frame (A) at the ground and then insert Side leg (B) into the corresponding hole.
2. Attach Top frame (A) to Side legs (B) and secure with the Screws ① using the enclosed Allen Key②.



3. Flip the shelf unit in 180 degree and attach each Rubber Pads ③ at the corner of the shelf unit and then carefully place the Tempered Glass shelf (C) on top of Rubber Pads③.



4. Assembly is complete.

