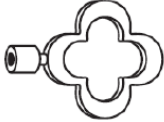
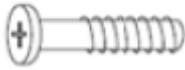


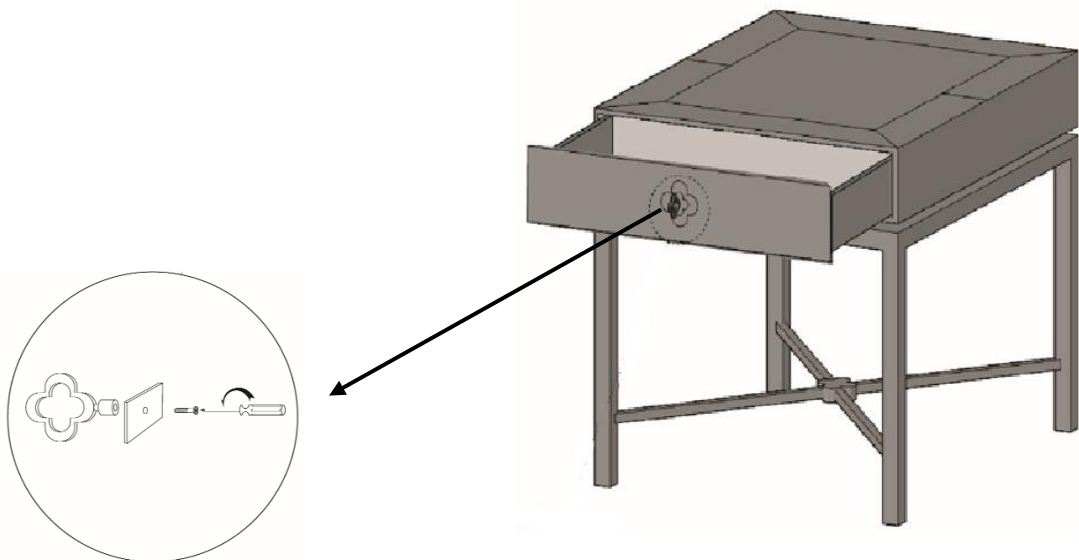
# JONATHAN ADLER

## FURNITURE

### Delphine Side Table Assembly Instruction

| Hardware Checklist |   |     |
|--------------------|---|-----|
| D                  |  | 1PC |
| E                  |  | 1PC |

Place the Metal Handle(D) in the correct position in the front of the drawer, then use the screw driver(not included) to tighten the screw(E) through the metal flower center point and fix the handle(E).



Ensure all bolts are fully tightened every three months to ensure stability.