

# JONATHAN ADLER

## FURNITURE

### Jacques 2 Tier Table

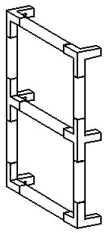
#### Assembly Instruction

- For ease of assembly two people are recommended.

Parts Included:

#### Box 1:

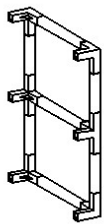
- (1pc) Left Side Panel – A



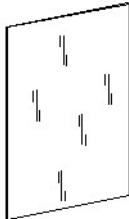
- (6pcs) Lucite bars –B



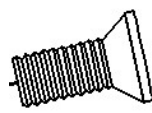


- (1pc) Right Side Panel –C



- (3pcs) Clear Tempered Glass Shelf –D

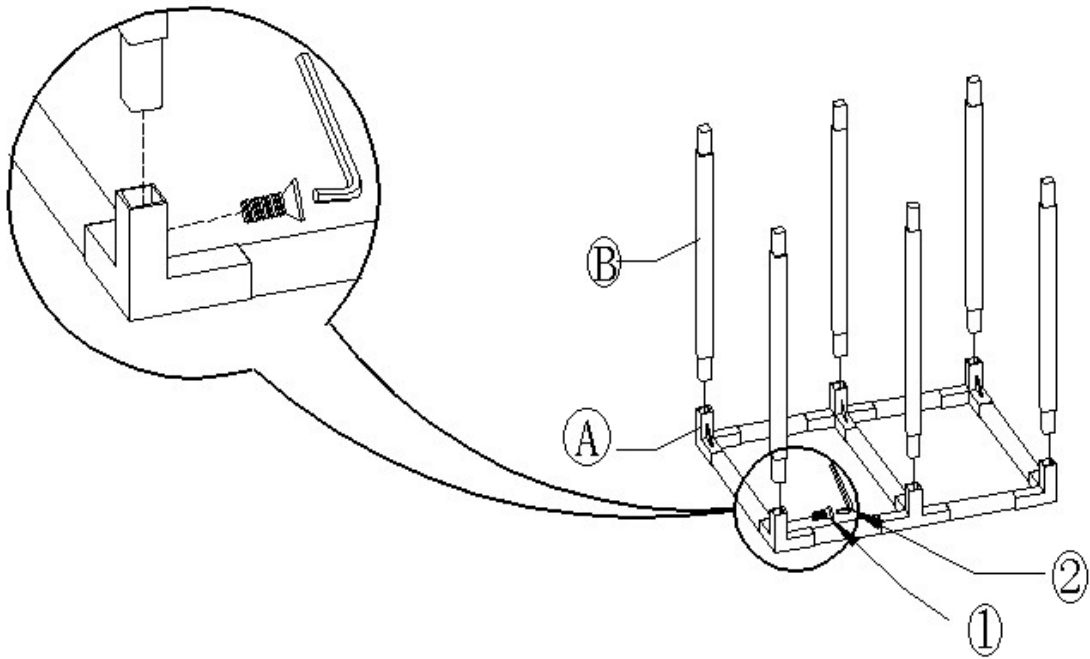


Hardware Enclosed:

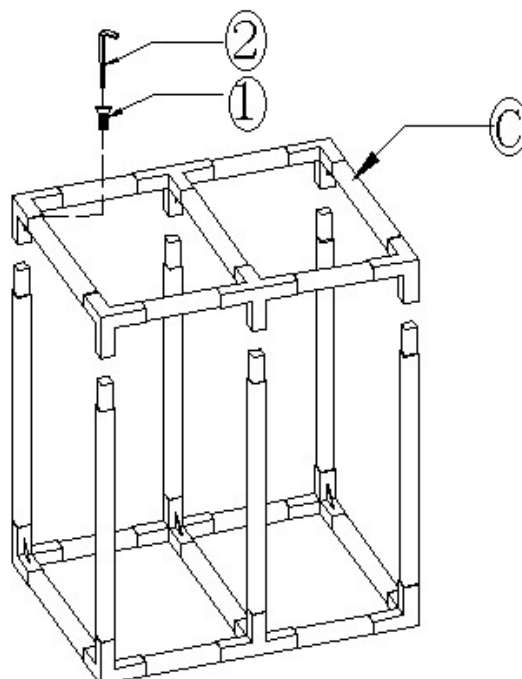
①	 <b>1/4"-20Tx15mmL</b>	12pcs
②	 <b>Allen Wrench</b>	1pc
③	 <b>Rubber Pads</b>	12pcs

Assembly Instructions:

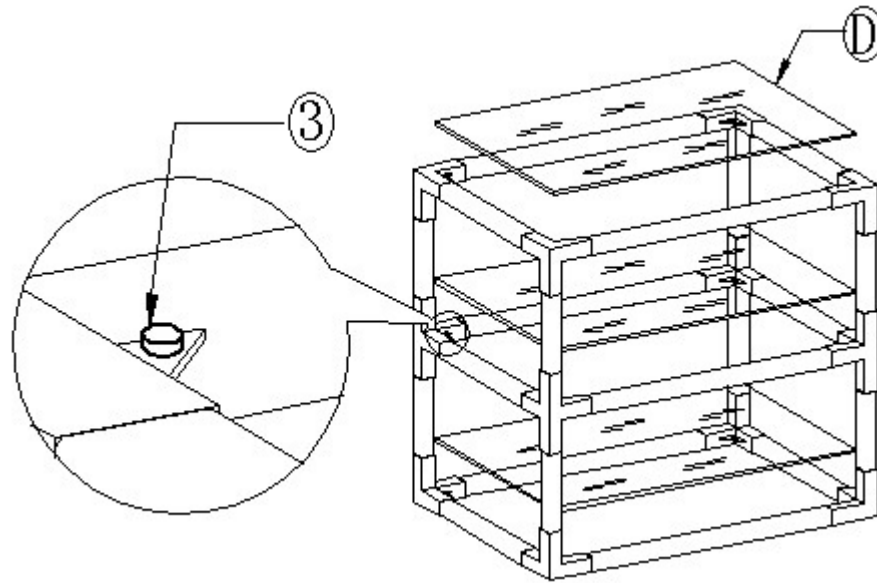
1. Remove all the components from their boxes and place them on a carpeted or scratch-free surface. Place the Left Side Panel (A) at the ground and then insert Lucite Bar (B) into the corresponding hole.
2. Attach Left Side Panel (A) to Lucite Bar (B) and secure with the Screws ① using the enclosed Allen Key ②.



3. Attach Right Side Panel (C) to Left Side Panel (A) and secure with Small Screws ① using the enclosed Allen Key ②.



4. Flip the shelf unit in 90 degree and attach each Rubber Pads ③ at the corner of the shelf unit and then carefully place the Tempered Glass shelf (D) on top of Rubber Pads③.



5. Assembly is complete.

