

# JONATHAN ADLER

## FURNITURE

### Scalinatella Coffee Table

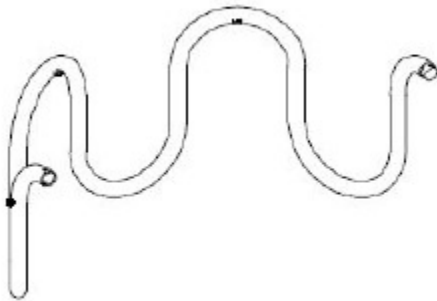
Assembly Instruction

- For ease of assembly two people are recommended.

Parts Included:

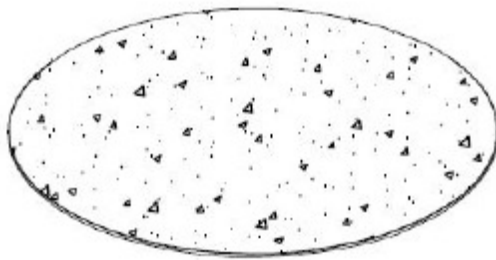
**Box 1:**

- (2pcs) Table Base– A








**Box 2:**

- (1pc) Table Top Marble –B

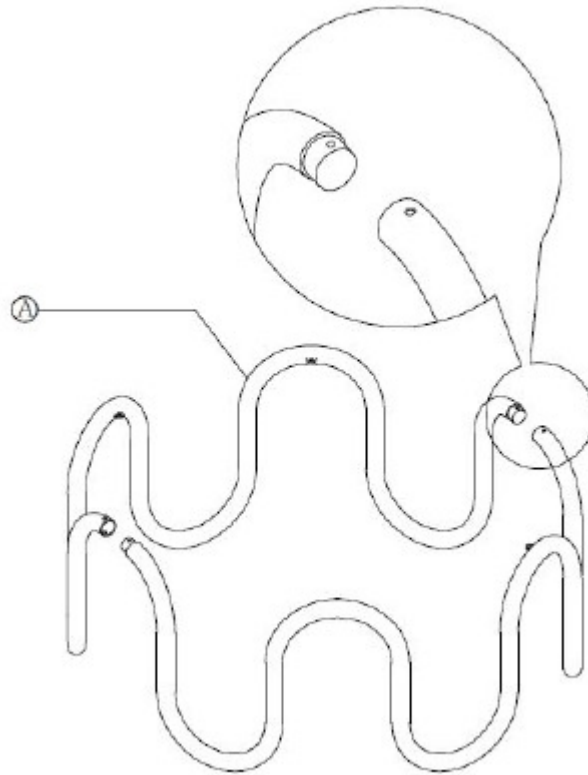


Hardware Enclosed :

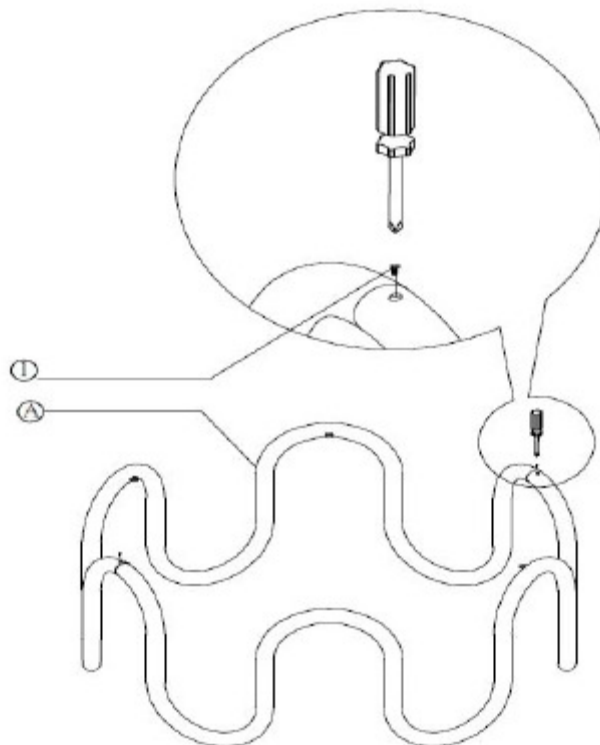
①	 5/32" -32T x 12mmL	4pcs
②	 1/4" -20Tx18mmL	4pcs
③	 Flat washer	4pcs
④	 Spring washer	4pcs
⑤	 Allen Wrench	1pc

Assembly Instructions:

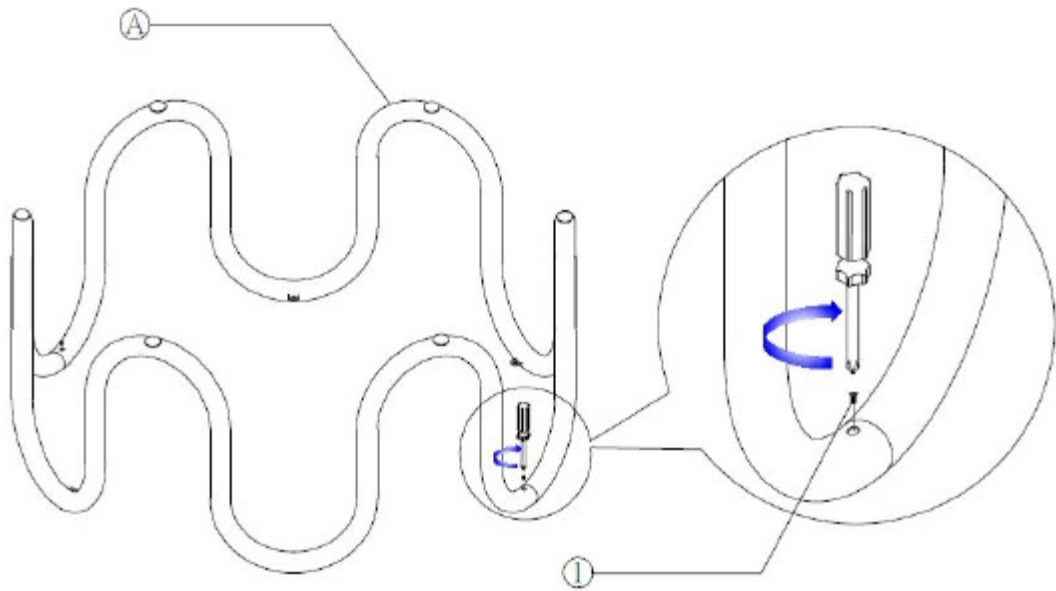
1. Remove all the components from their boxes and place them on a carpeted or scratch-free surface. Equally place the both Table Bases (A) at the ground and then insert into the corresponding hole.



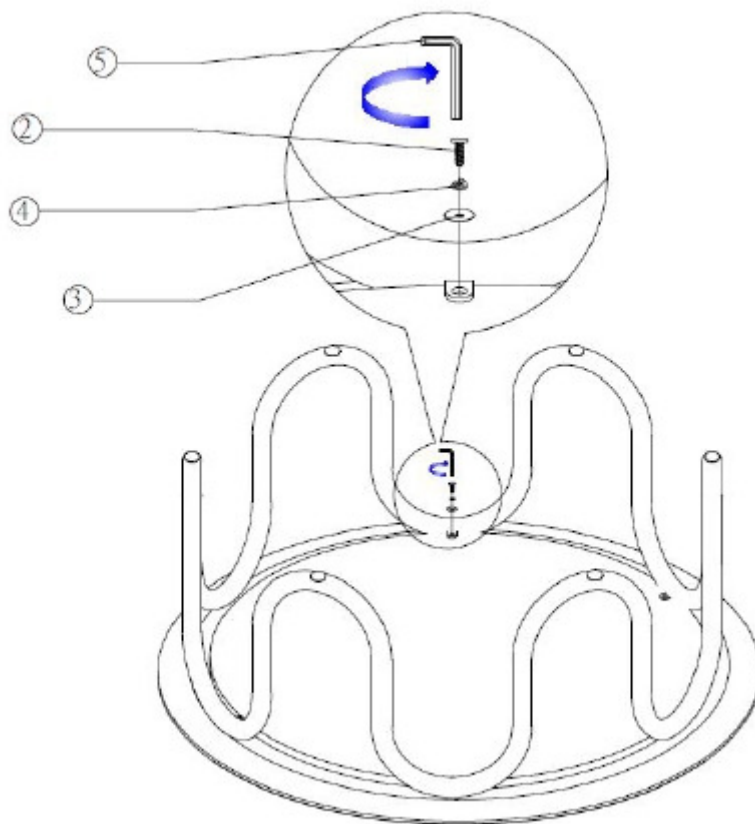
2. Attach both Table Bases (A) and secure with the Screws ① using the screwdriver on both sides, don't screw tightly in this step.



3. Place the assembled Table bases (A) upside down, secure with the Screws ① using the screwdriver on both sides, then need to tighten all screws ① in this step.



4. Put the assembled Table bases (A) upside down on the Table Top (B), align the pre-drilled holes, secure with the spring washers ④, flat washers ③ and bolts ② using the enclosed Allen Key ⑤.



5. Assembly is completed.

