

# JONATHAN ADLER

## FURNITURE

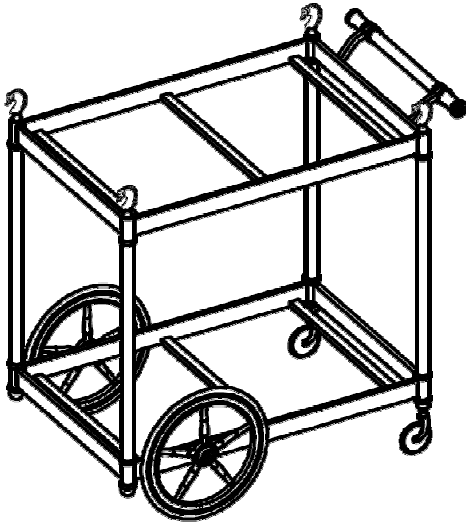
### Jacques Bar Cart

#### Assembly Instruction

- For easy assembly two people are recommended.

#### Parts Included:

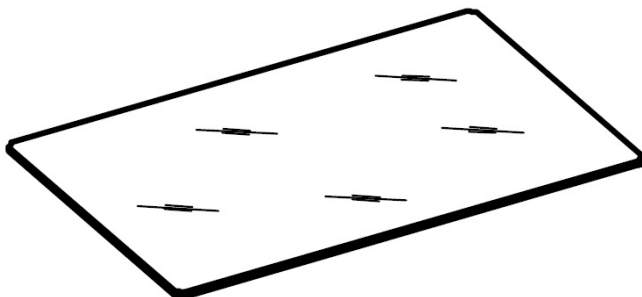
- (1pc) Cart - A



- (2pcs) Lucite Ball - B

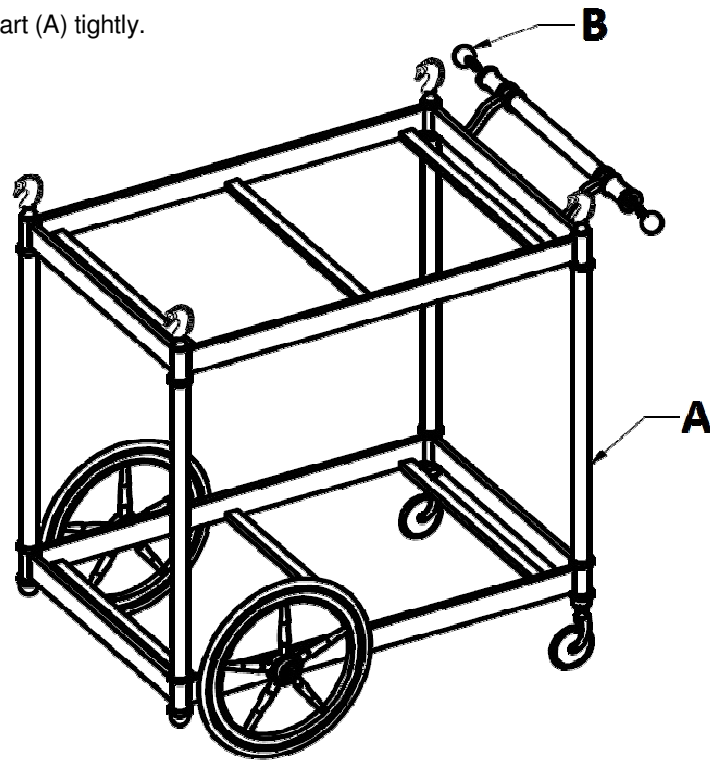


- (2pcs) Mirror glued on stainless steel plate - C

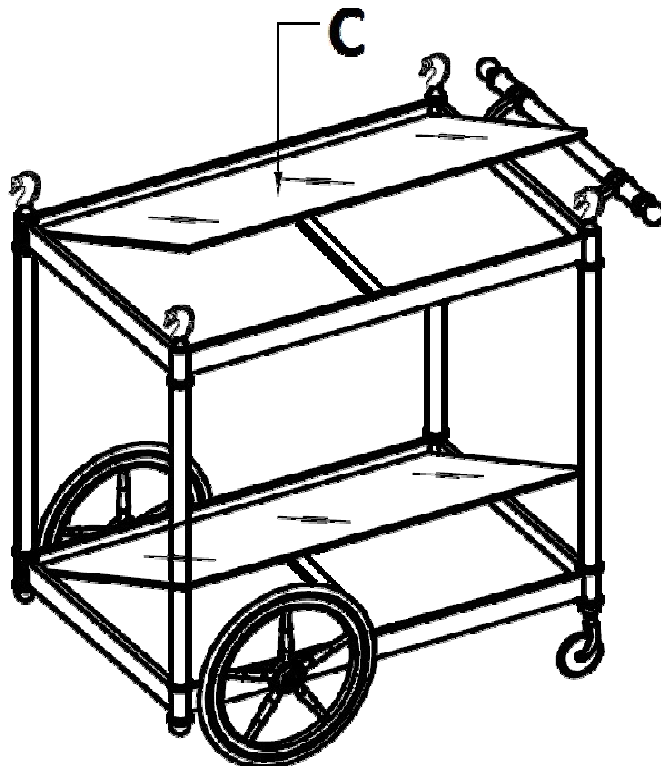


Assembly Instructions:

1. Remove all the components from carton and place them on a carpeted or scratch-free surface. Place the Cart (A) on the ground, and screw the Lucite Ball (B) to the both ends of the handlebar on Cart (A) tightly.



2. Carefully place the Mirror glued on stainless steel plate (C) on the assembled Cart. For easy assembly, put the longer side of Mirror (C) on first and lightly place the other side to the frame of assembled Cart as shown below.



3. Assembly is completed.

