



ITEM# JE400C  
Jersey Cocktail Table  
48"\*26"\*18"H

Your furniture purchase is an investment. Here are a few tips to maximize the lifetime of your furniture with a minimal amount of effort. Properly caring for your furniture can help ensure that it looks great year after year.

**Wood Furniture Maintenance:**

- Always dust, wipe, and clean with the grain of the wood.
- Dust with a soft cloth. Dust will scratch the furniture surface if not removed properly.
- If a polished surface becomes foggy, rub it with a cloth dipped in a solution of one tablespoon vinegar to one quart of water. Rub softly with the grain until the surface is completely dry.
- Soap and water are not advisable for wood surfaces. Water can penetrate the finish and raise the grain on wood, causing damage.
- Remember to change dusting cloths frequently as dirty cloths may scratch your furniture's surface.

**The Enemies of Wood:**

- Moisture is wood's worst enemy. Liquid spills should be gently wiped up immediately. Coasters should be used under all beverages.
- Do not allow rubber or vinyl materials to lie on the furniture. Chemicals in rubber may leave a stain. Put a strip of felt or leather under accessories that have rubber or vinyl.
- Heat creates a chemical change in the furniture's finish, which result in a white spot. Use protective pads under hot dishes, appliances, etc.
- Sunlight's ultraviolet rays can damage the finish of furniture. DO not place furniture directly against a heater or radiator and do not place in the path of hot streams of air from central heating. This will cause extreme localized drying of the wood.

**Marble Top Maintenance:**

The surface of the marble on your table has been polished and sealed to create a generally non-porous surface. The stone has many natural characteristics including veining, hairline cracks, and color variations, which make up the stone's beauty.

**To maintain the beauty of your marble:**

- Protect surfaces from scratching, staining and etching by:
  - Keeping them free of debris or sharp objects.
  - Wiping up spills immediately
  - Avoiding contact with chemicals (particularly acid-based materials)
- Clean with PH neutral products or those especially formulated for use on stone.
- It is not recommended to use a water-based solvent for dark marble as it will remove the polish from the surface.

**Caring for the Fabric on Upholstered Furniture:**

- Frequent vacuuming of the entire upholstered area will prevent dust from settling into the fibers.
- Professional cleaning is always recommended for all upholstered pieces.
- Do not use cleaning products containing brightening agents.

**VERY IMPORTANT!!**

**NEVER USE GLASS CLEANERS ON FINISHED SURFACES. AMMONIA WILL CHEMICALLY ATTACK THE FINISH.**

DO NOT WRITE DIRECTLY ON SURFACE 

**PREVENT MARKING**

DO NOT PLACE IN DIRECT SUNLIGHT 

**PREVENT FADING**

DO NOT USE RUBBER-BASED FLACEMATS USE CLOTHS! 

**PREVENT DISCOLORING**

**NEVER ALLOW LIQUIDS OF ANY KIND TO LINGER ON SURFACES ABSORPTION CAUSES THE WOOD TO WARP ANDTHE FINISH TO DE-LANINATE**

DO NOT USE COMMERCIAL WAXES AND POLISHES 

**PREVENT YELLOWING**

DO NOT PLACE HOT KETTLES POTS,ETC ON SURFACE 

**PREVENT DAMAGE TO FINISHI**

MAINTAIN EVEN HUMIDITY CONDITIONS IN YOUR HOME 

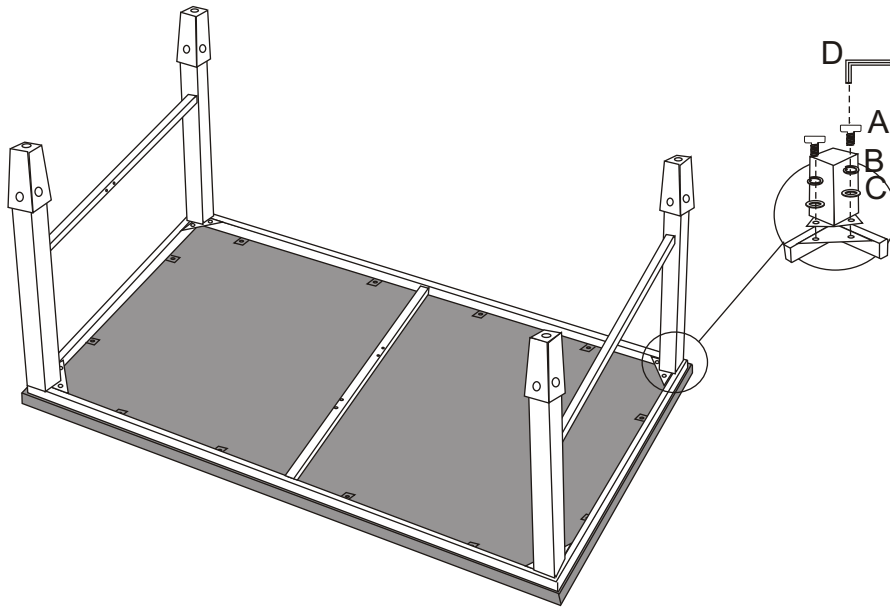
**PREVENT SPLITTING**

# JE400C

## Assembly Instruction

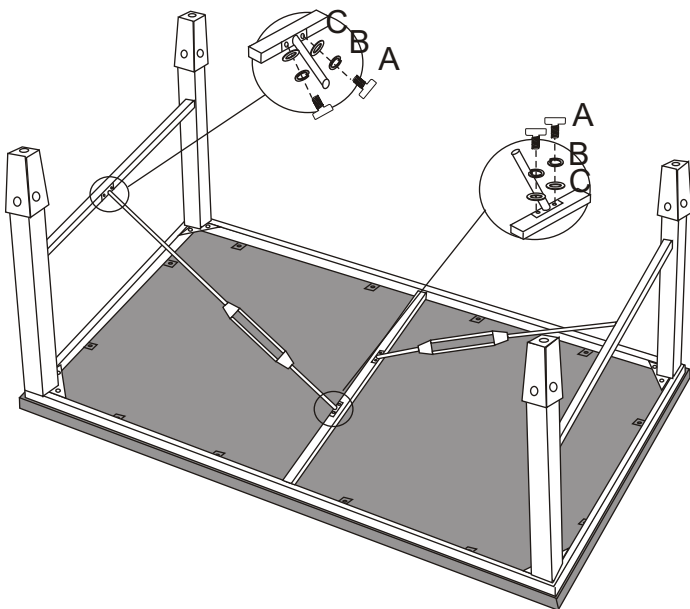
\* Do not tighten screw & blots until the entire item is completely assembled.

### Step 1

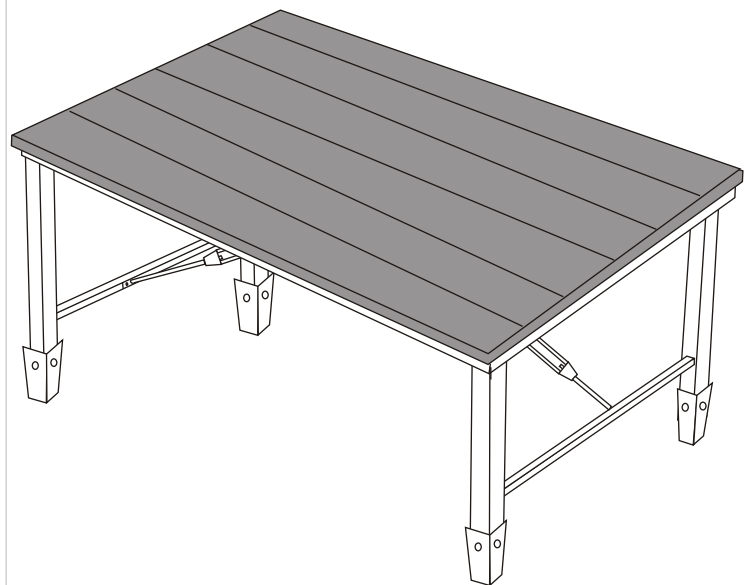


place wood top on a piece of cloth on the floor to prevent scratching





### Step 2



### Step 3

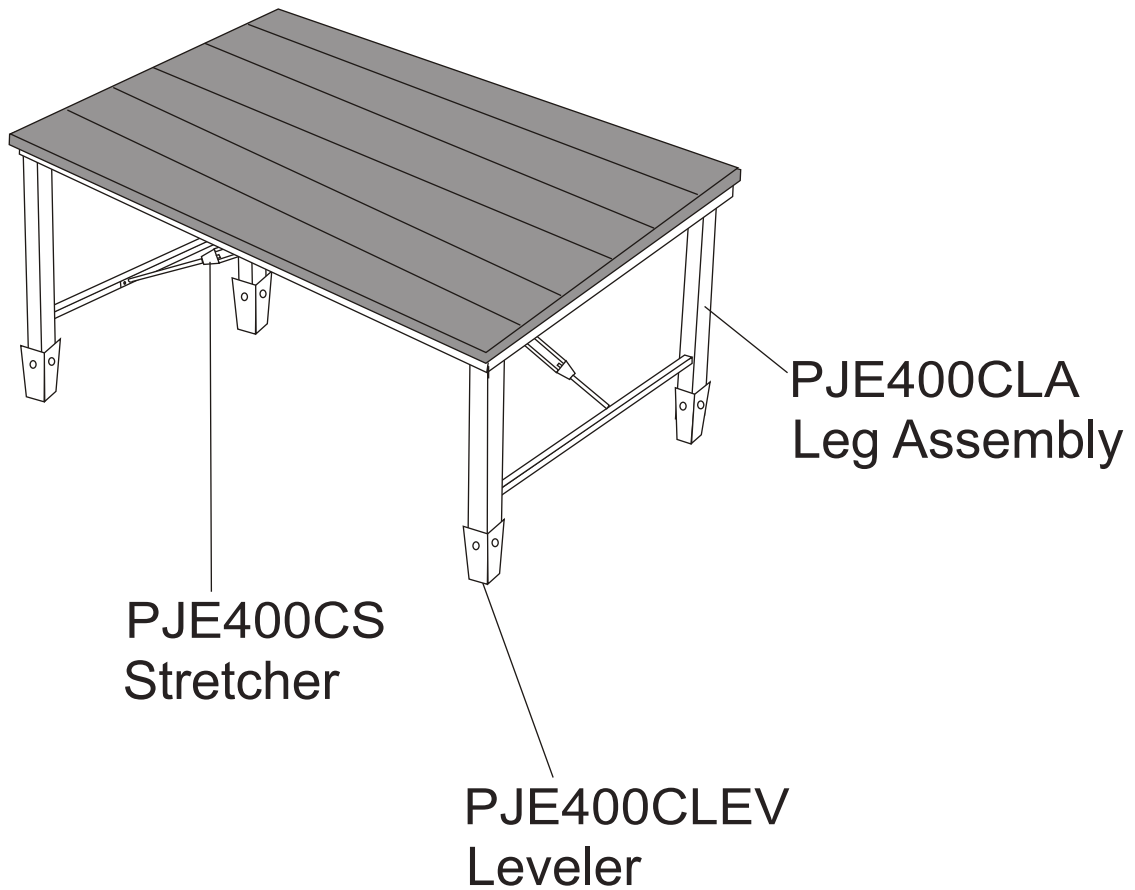


# Hardware Pack #: PJE400CH

A		16PCS	1/4" X 15mm
B		16PCS	φ 6.5mm
C		16PCS	φ 6.5mm
D		1PC	

# Parts for JE400C

Complete Hardware #: PJE400CH



PRODUCT DETAILS	
TOP	CHIPBOARD WITH PINE VENEER
LEG	IRON
IRON COLOR	ANTIQUE FINISH
PRODUCT SIZE	48**26**18"H
CARTON SIZE	50 3/4**28 3/4**4 1/4"H
NET WEIGHT	45.70LBS
GROSS WEIGHT	47.90LBS
CU.FT.	3.59'

**MADE IN CHINA**