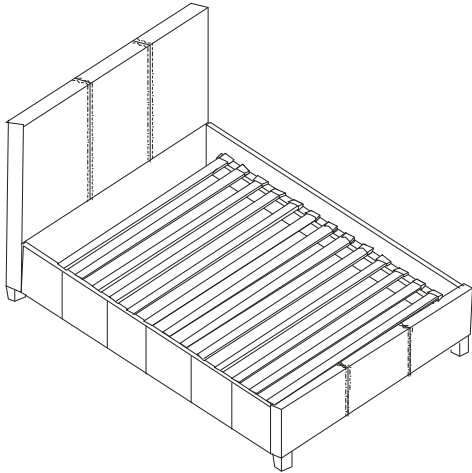






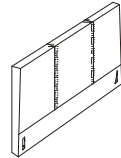
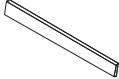
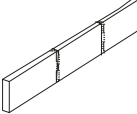

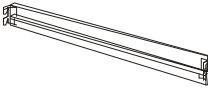
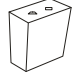


Instruction for assembly and installation

BERLIN BED

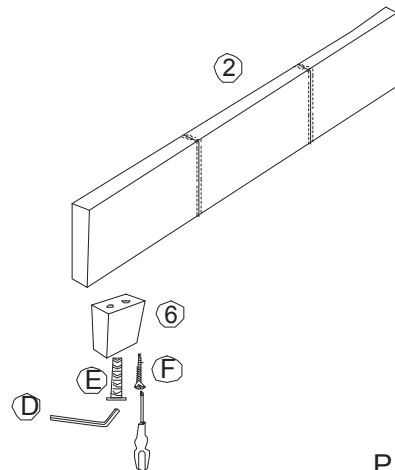
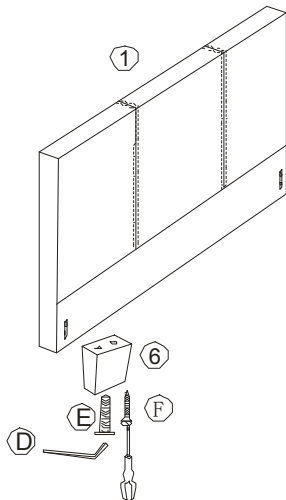


Hardware list			
A	Bolts (M8*30mm)		8 pcs
B	Spring Washer		8 pcs
C	Flat Washer		8 pcs
D	M5 Allen Key		1 pc
E	Bolts (M8*70mm)		4 pcs
F	Screws (M4*70mm)		4 pcs

Components list							
01	Headboard		(1pc)	04	Slats		(13pcs)
02	Footboard		(1pc)	05	Single Plastic Cap		(26pcs)
03	Side Raisl		(2pcs)	06	Legs		(4pcs)

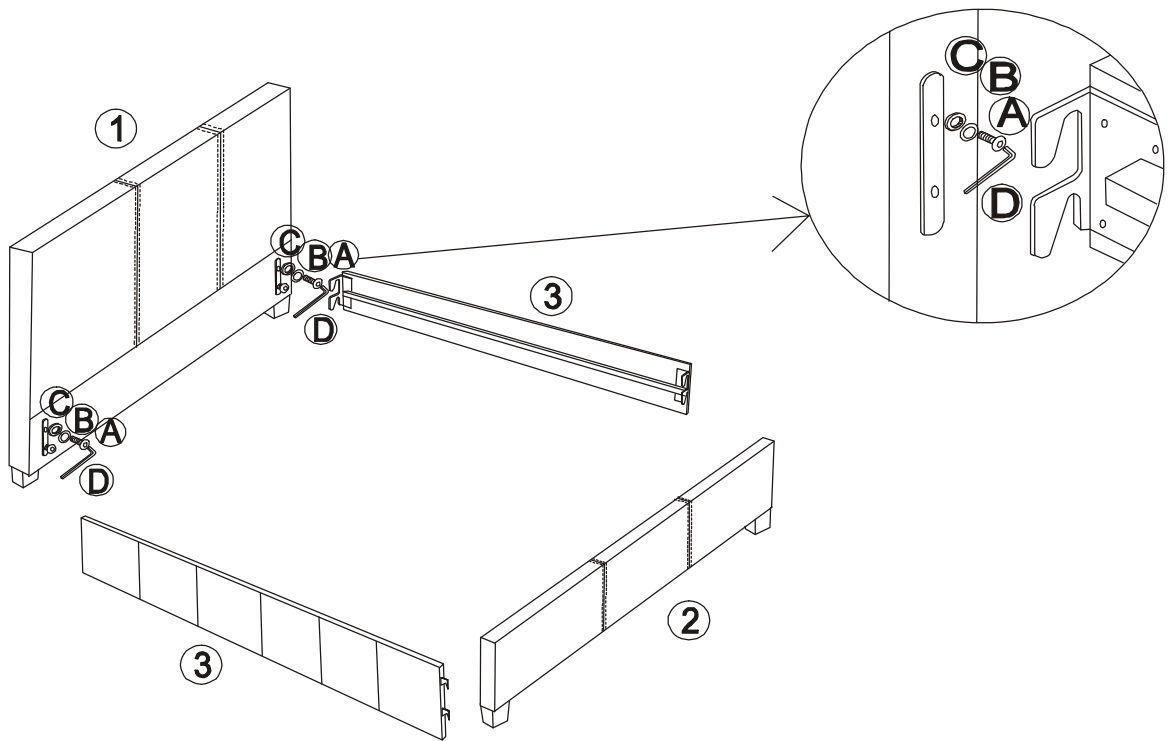
STEP 1

Fixing legs to headboard & footboard.



STEP 2

Fixing side rails to headboard & footboard



STEP 3

Fixing plastic caps and slats

