

BS107

Bar Stool Assembly Instructions

Max Weight Capacity 330 Lb

201302

READ ALL INSTRUCTIONS AND WARNINGS BEFORE USING THIS PRODUCT.

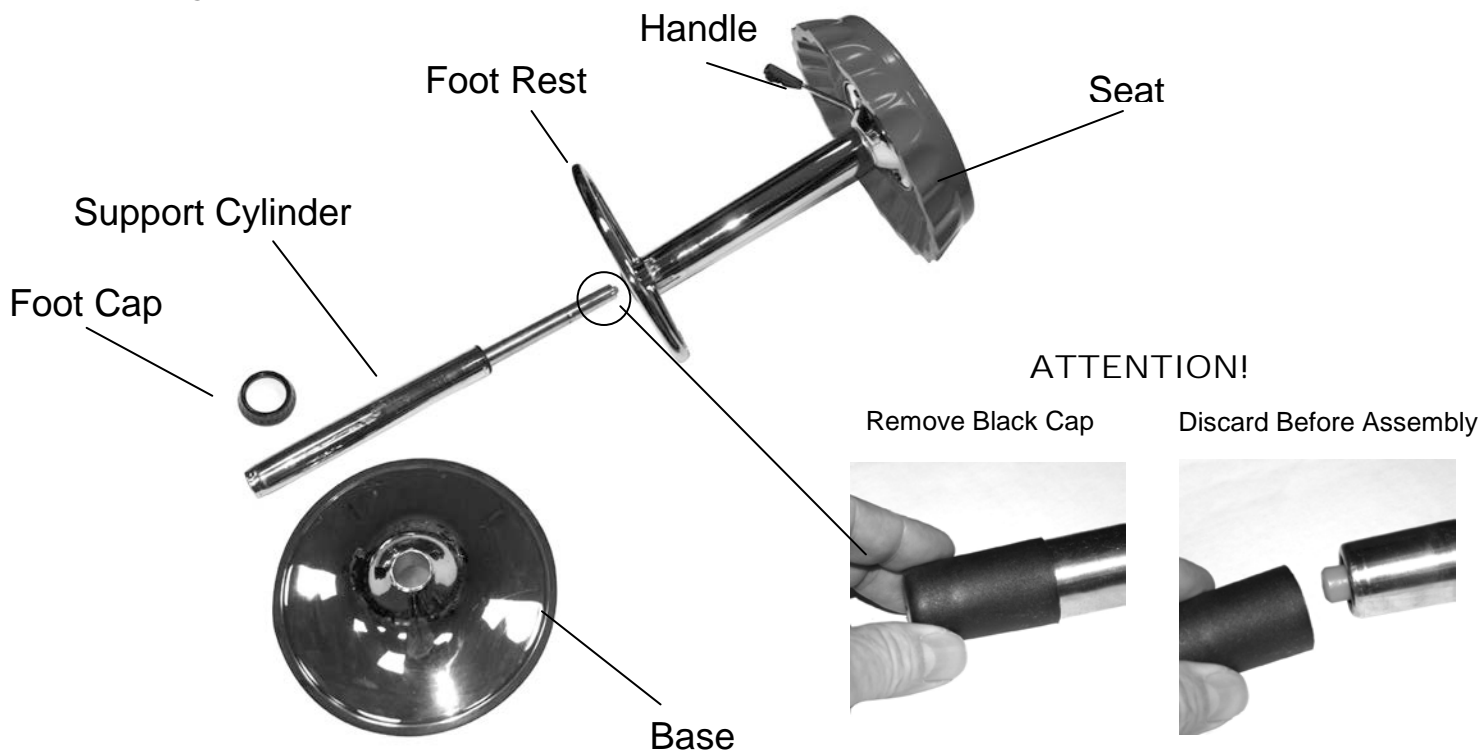
This manual provides important information on proper operation & maintenance. Every effort has been made to ensure the accuracy of this manual. These instructions are not meant to cover every possible condition and situation that may occur. We reserve the right to change this product at any time without prior notice.

IF THERE IS ANY QUESTION ABOUT A CONDITION BEING SAFE OR UNSAFE,
DO NOT USE THIS PRODUCT!

DO NOT RETURN THIS PRODUCT TO THE RETAILER - CONTACT CUSTOMER SERVICE.

If you experience a problem, have questions or need parts for this product, visit our website <http://www.amerihomebrand.com> or call Customer Service at 1-888-287-6981, **Monday-Friday, 8 AM - 4 PM Central Time**. A copy of the sales receipt is required.

KEEP THIS MANUAL, SALES RECEIPT & APPLICABLE WARRANTY FOR FUTURE REFERENCE.



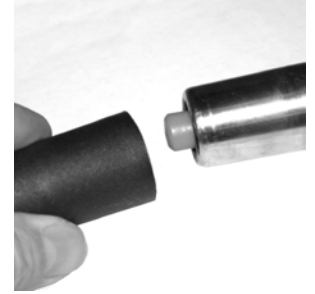
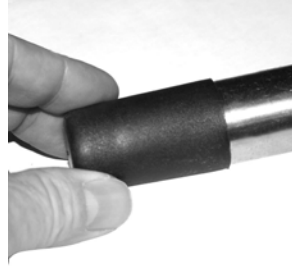
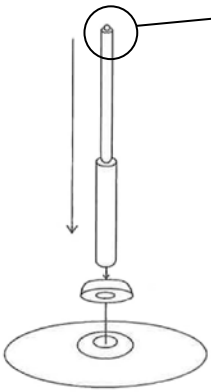
ATTENTION!

ASSEMBLY INSTRUCTION

For proper assembly, follow the instructions.

Remove Black Cap

Discard Before Assembly



A Black Cap protects the hydraulic mechanism on the Support Cylinder. Remove the Black Cap and discard it before assembly. The Orange hydraulic button will become visible.

Insert the thinner end of the Support Cylinder into the center hole of the Base, and press down **FIRMLY**.

Screw the Foot Rest onto the bottom of the Seat.

Guide the assembled Support Cylinder and Base into the hole on the bottom of the Seat and firmly press down on the Support Column.



To raise and lower the seat, grasp the Handle and pull upward without applying any weight on the seat. To lower, raise the handle upward by sitting on the seat.



To disassemble, turn the stool upside down and hit the metal clip in the center of the bottom of the Base with a rubber mallet to disengage the locking mechanism. Then, turn the stool right side up, and lift the Seat upward, pulling the Seat assembly off of the Base.



To remove the Seat from the Support Cylinder, turn the stool upside down, and gently strike the edge of the Seat where it meets the Support Cylinder.



Metal Clip

