

**Sheridan Series
SHV218/318/418**

Project		Fixture Type
Location		Quantity
Approved By	Date	Catalog Number

Features

Transitionally styled wall mount armed vanity has individual white linen acrylic shades set against a satin nickel or champagne back pan and offered in 2, 3 or 4 light options. Decorative accent details are die cast metal. ADA compliant. Fixture mounts horizontally to standard junction box (not included) and offset J-box mounting is possible (consult factory).

Construction

The mounting plate and back pan are die-formed of 22-gauge steel. The decorative arm detail is die cast metal. Product is provided with standard mounting holes and wiring access.

Finish

The mounting plate is galvanized steel and the back plate and cast arms are applied satin nickel or champagne finish with clear lacquer topcoat.

Diffuser

Each shade is .090" white acrylic with a textured linen pattern and has an enclosed top and bottom. Shades are individually mounted to the back pan from the top with 2 thumb screws.

Electrical

This fixture is wired with a line voltage socket for 18 watt self-ballasted spring lamps GU24 base, 120V/60Hz AC operation.

Lamping

For use with 18 watt self-ballasted 2700K spring lamps, included

Certification

All fixtures are cULus listed for damp locations.

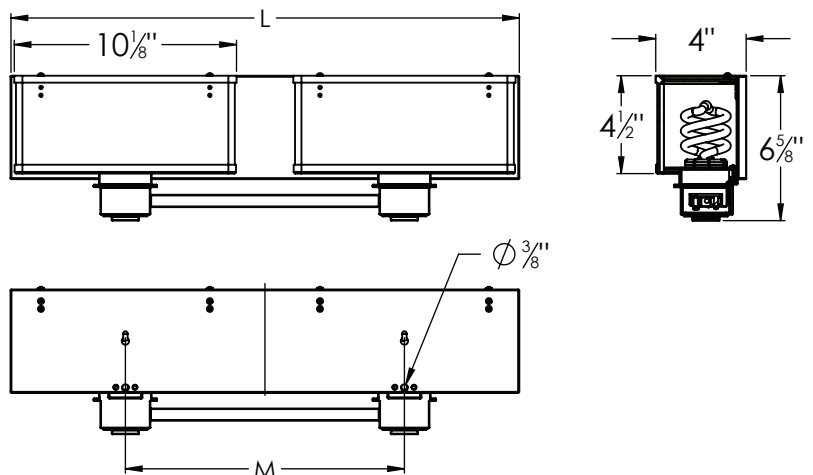
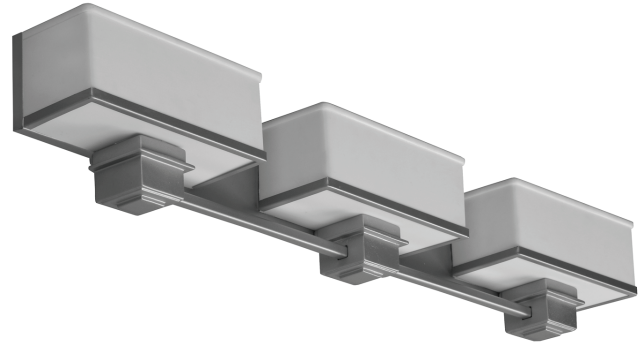
Options (consult factory)

- 13 watt lamping
- Custom finishes
- ENERGY STAR qualified
- Dimming

Specifications and dimensions
subject to change without notice.

Ordering Information:

Model No.		Lamps		Dimensions			Mounting
Finish	120V	Qty	Lamp	H	L	D	M
Champagne	SHV218ACST-LA	2	18W MAX GU24 SELF-BALLAST CFL	6-5/8"	23-1/4"	4"	12-3/4"
Champagne	SHV318ACST-LA	3	18W MAX GU24 SELF-BALLAST CFL	6-5/8"	36"	4"	25-1/2"
Champagne	SHV418ACST-LA	4	18W MAX GU24 SELF-BALLAST CFL	6-5/8"	48-3/4"	4"	38-1/4"
Finish	120V	Qty	Lamp	H	L	D	M
Satin Nickel	SHV218SNSCT-LA	2	18W MAX GU24 SELF-BALLAST CFL	6-5/8"	23-1/4"	4"	12-3/4"
Satin Nickel	SHV318SNSCT-LA	3	18W MAX GU24 SELF-BALLAST CFL	6-5/8"	36"	4"	25-1/2"
Satin Nickel	SHV418SNSCT-LA	4	18W MAX GU24 SELF-BALLAST CFL	6-5/8"	48-3/4"	4"	38-1/4"



SHV Series

Photometric Information:

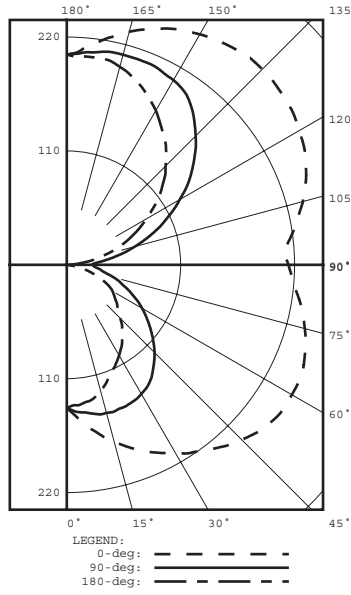
SHV318ACSC-LA/SHV318SNSCT-LA

CANDELA DISTRIBUTION					FLUX
0	45.0	90.0	135.0	180.0	
0	138	138	138	138	
5	151	150	143	140	14
15	177	174	148	139	43
25	200	194	147	128	72
35	220	208	139	111	97
45	239	218	120	93	115
55	251	223	96	71	123
65	250	221	71	51	124
75	238	209	47	33	114
85	220	192	28	16	99
90	213	186	25	15	2
95	213	188	32	23	102
105	236	212	68	56	129
115	254	233	107	92	151
125	264	248	145	127	160
135	267	256	176	157	154
145	262	254	201	182	134
155	251	245	209	199	101
165	233	230	210	207	61
175	211	210	206	204	20
180	203	203	203	203	

ZONAL ZONE	LUMEN LUMENS	%LAMP	%FIXT
0-30	130	3.6	7.2
0-40	227	6.3	12.5
0-60	465	12.9	25.7
0-90	802	22.3	44.2
90-120	381	10.6	21.0
90-130	541	15.0	29.8
90-150	829	23.0	45.7
90-180	1011	28.1	55.8
0-180	1813	50.4	100.0

TOTAL LUMINAIRE EFFICIENCY = 50.4 %

CIE TYPE - DIRECT-INDIRECT
 PLANE : 0-DEG 90-DEG 180-DEG
 SPACING CRITERIA : 2.3 1.5 1.1



COEFFICIENTS OF UTILIZATION - ZONAL CAVITY METHOD

EFFECTIVE FLOOR CAVITY REFLECTANCE 0.20

RC	80				70				50			
	RW	70	50	30	10	70	50	30	10	50	30	10
0	53	53	53	53	49	49	49	49	40	40	40	
1	47	45	42	40	43	41	38	37	33	32	30	
2	42	38	34	31	39	35	32	29	28	26	24	
3	38	33	29	26	35	30	26	24	25	22	20	
4	35	29	25	21	32	26	23	20	22	19	16	
5	32	26	21	18	29	23	19	16	19	16	14	
6	29	23	18	15	26	21	17	14	17	14	12	
7	27	20	16	13	24	19	15	12	15	12	10	
8	25	18	14	11	23	17	13	11	14	11	9	
9	23	17	13	10	21	15	12	9	13	10	8	
10	22	15	11	9	20	14	11	8	12	9	7	



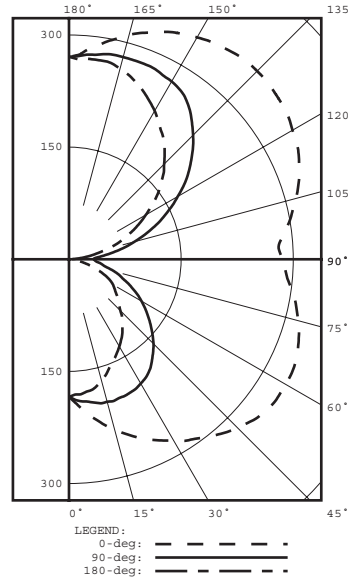
SHV418ACSC-LA/SHV418SNSCT-LA

CANDELA DISTRIBUTION					FLUX
0	45.0	90.0	135.0	180.0	
0	184	184	184	184	184
5	201	200	191	187	181
15	236	232	197	185	168
25	267	259	196	171	145
35	293	277	185	148	124
45	319	291	160	124	97
55	335	297	128	95	76
65	333	295	95	68	56
75	317	279	63	44	25
85	293	256	37	21	3
90	284	248	33	20	3
95	284	251	43	31	12
105	315	283	91	75	53
115	339	311	143	123	97
125	352	331	193	169	141
135	356	341	235	209	180
145	349	339	268	243	213
155	335	327	279	265	243
165	311	307	280	276	264
175	281	280	275	272	269
180	271	271	271	271	271

ZONAL ZONE	LUMEN LUMENS	%LAMP	%FIXT
0-30	173	3.6	7.2
0-40	303	6.3	12.5
0-60	620	12.9	25.7
0-90	1069	22.3	44.2
90-120	508	10.6	21.0
90-130	721	15.0	29.8
90-150	1106	23.0	45.7
90-180	1348	28.1	55.8
0-180	2418	50.4	100.0

TOTAL LUMINAIRE EFFICIENCY = 50.4 %

CIE TYPE - DIRECT-INDIRECT
 PLANE : 0-DEG 90-DEG 180-DEG
 SPACING CRITERIA : 2.3 1.5 1.1



COEFFICIENTS OF UTILIZATION - ZONAL CAVITY METHOD

EFFECTIVE FLOOR CAVITY REFLECTANCE 0.20

RC	80				70				50			
	RW	70	50	30	10	70	50	30	10	50	30	10
0	53	53	53	53	49	49	49	49	40	40	40	
1	47	45	42	40	43	41	39	37	33	32	30	
2	42	38	35	31	39	35	32	29	28	26	24	
3	38	33	29	26	35	30	26	24	25	22	20	
4	35	29	25	21	32	26	23	20	22	19	16	
5	32	26	21	18	29	23	19	16	19	16	14	
6	29	23	18	15	26	21	17	14	17	14	12	
7	27	20	16	13	24	19	15	12	15	12	10	
8	25	18	14	12	23	17	13	11	14	11	9	
9	23	17	13	10	21	15	12	9	13	10	8	
10	22	15	11	9	20	14	11	8	12	9	7	

