

Safety Precautions

Read all safety precautions and installation instructions carefully before installing or servicing this fixture. Failure to comply with these instructions could result in potentially fatal electric shock and/or property damage.

It is recommended that a qualified electrician perform all wiring. This fixture must be wired in accordance with all national and local electrical codes.

Do not handle any energized fixture or attempt to energize any fixture with wet hands or while standing on a wet or damp surface or in water.

This fixture is designed for use in a 110-120VAC, 60Hz fused circuit. Do not use on a dimming circuit.

To reduce the risk of electrical shock, and to assure proper operation, this fixture must be adequately grounded. To accomplish proper grounding, there must be a separate ground wire (green) or bare metal contact (metal conduit) between this fixture and the ground connection of your main power supply panel. The green ground screw location is clearly marked on the fixture housing.

This fixture is intended to be used for general indoor lighting in dry and damp locations.

Assembly Instructions

1. Preparing for installation

- A. **Disconnect electrical power** before installing or servicing any part of this fixture.
- B. Carefully remove fixture from packaging and separate.
- C. Locate junction box and remove knock out closest to power supply on wall mounting plate (7).
- D. Secure the wall mounting plate (7) to wall using wood screws (8) and anchors (provided) where there is no stud.

2. Wiring.

All wiring must take place inside junction box.

Caution: Make sure power is off at fuse or circuit breaker box. Check power wires for damage or scrapes. If power supply wires are within three inches of ballast use wire suitable for at least 90C (194F). **Note:** Most dwellings built before 1985 have supply wire rated to 60C. Consult a qualified electrician before installing.

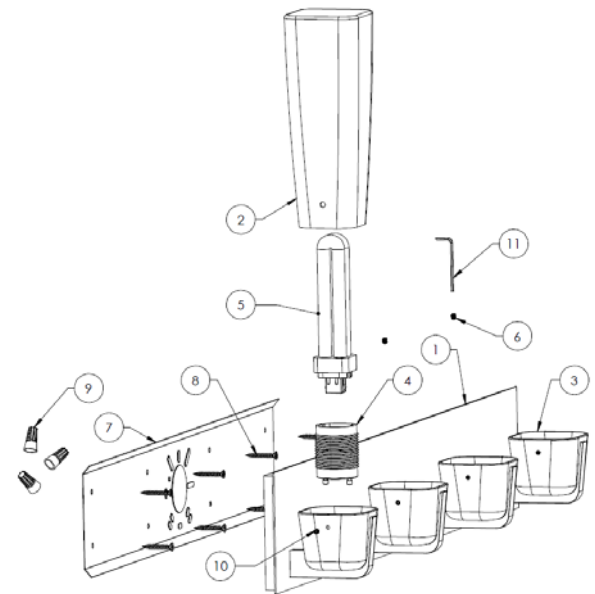
- A. This unit will not operate properly unless connected to a "grounded" electrical circuit. Electrical shock, over- heating, low or no light output, and shortened lamp life can result if proper grounding is not done. Securely attach green (or green and yellow) wire to green ground screw on gem bar with provided hardware.
- B. Using wire connectors (9), connect white supply wire to white ballast lead. Connect black hot supply wire to black ballast lead. **Do not mix wires.** Pull on each wire lead to make sure connections are secure. Make certain no bare wires are exposed outside of wire connectors.

3. Fixture mounting.

- A. Mount back-plate (1) over wall mounting plate (7) and secure into place with set screws (6) using supplied hex tool (11) to fasten on top and bottom side. (Note: Do not fully tighten first set screw. Alternate between top and bottom set screws until all are fastened.)
- B. Lamp - Install appropriate lamp (5) (not included) by inserting lamp pins into socket barrel ballast (4) and press until lamp snaps in place. Repeat until all lamps (5) are installed.
- C. Socket barrel ballast – If not completed, install barrel ballast (4) into GU24 socket by aligning pins and rotating clockwise. Repeat until all ballasts (4) are installed.

4. Diffuser installation

- A. Slide diffuser into diffuser cup (3) and align holes in diffuser (2) with set screw holes in diffuser cup. Gently tighten set screws (10) with supplied hex tool (11). Repeat until all diffusers (2) are installed.
- B. Restore power at fuse or circuit breaker box.



Limited Factory Warranty

American Fluorescent Corporation hereby warranty that this fixture is free from defects in materials and workmanship when installed and used under normal operating conditions for a period of 2 years from date of purchase. This warranty covers all component parts and extends only to replacement of defective fixture or components; it does not cover failure due to improper installation, misuse, mishandling or damage incurred in transit.