

**Epic Series
EPP118**

Project _____		Fixture Type _____
Location _____		Quantity _____
Approved By _____	Date _____	Catalog Number _____

Features

Larger scale 18" tall pendant has polished chrome fitter and white frosted hand blown glass diffuser with open bottom. Clear 8' cord is easily adjustable with a twist lock strain relief. Product can be used in lobbies, restaurants and public spaces. Canopy mounts to standard junction box (not included).

Construction

Fitter is 18-gauge stamped steel. Glass is supported with an internal 18-gauge steel web. Canopy is 5 1/2" in diameter and fits over a standard junction box and is retained with two screws. Power supply connections must be made inside a junction box (not included).

Finish

All exposed metal parts are chrome plated with clear lacquer topcoat.

Diffuser

Glass diffuser is hand blown frosted white.

Electrical

This unit can be ordered in the following options: with UL listed instant-start, electronic normal power factor ballast; 120V 60Hz AC (EC suffix).

Lamping

For use with 1/18 watt compact fluorescent 4 pin quad lamps; supplied by others.

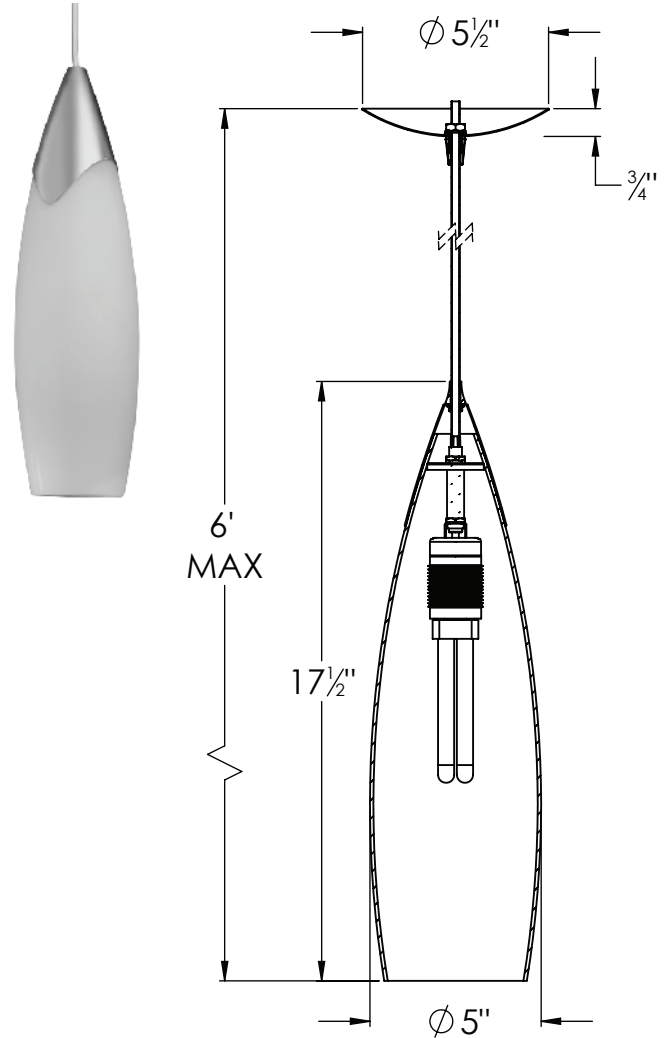
Certification

All fixtures are cULus listed for damp locations.

Options

Dimming
ENERGY STAR qualified when ordered with 120V ballast and lamp

Specifications and dimensions
subject to change without notice.



Ordering Information:

Model No.	Finish	Voltage	Lamps		Dimensions	
			Qty	Lamp	H	DIA
EPP118PCEC	Polished Chrome	120V	1	18W CFQ 4 PIN	17-1/2"	5"