

**Narrow Profile Wall Bracket
AMC115/117/125/132**

Project		Fixture Type
Location		Quantity
Approved By	Date	Catalog Number

Features

Economy 1 light T8 wall bracket has a rectangular shape and can be mounted vertically or horizontally. Product includes chrome end caps, bright aluminum body, grounded convenience outlet and rotary turn switch located in the right end cap. Diffuser is extruded smooth white acrylic. Tools are not required for lamp replacement. Power supply connections can be made in a 2" x 4" handy-box (not included) or made inside the housing.



Construction

The housing is die formed from 22-gauge aluminum and is provided with standard mounting holes and wiring access. Ends are die-formed 20-gauge steel.

Finish

Housing is finished in bright anodized aluminum. Ends are polished chrome finish.

Diffuser

Diffuser is .100" extruded smooth white acrylic. Diffuser is retained by the end caps secured by two acorn nuts.

Electrical

This unit is wired with UL listed electronic high power factor instant start ballast for one T8 lamps at 120V 60 Hz AC operation.

Lamping

For use with 1 T8 linear fluorescent lamps; supplied by others.

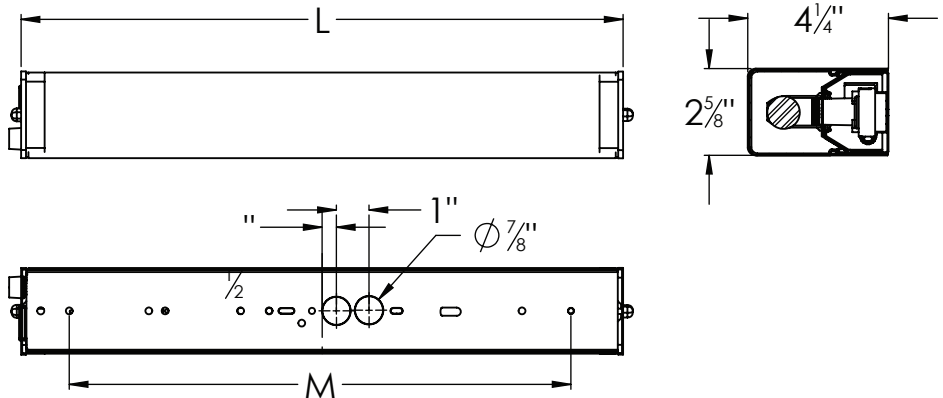
Certification

All fixtures are cULus listed for damp locations. *Noted fixtures are ENERGY STAR® qualified

Options (consult factory)

Less convenience outlet
Less rotary switch

For photometric information, consult factory.



Specifications and dimensions
subject to change without notice.

Ordering Information:

Model No.		Lamps		Dimensions			Mounting
Finish	120V	Qty	Lamp	H	L	D	M
Bright Aluminum	AMC115R8*	1	F15T8	2-5/8"	18-3/8"	4-1/4"	15-1/2"
Bright Aluminum	AMC117R8	1	F17T8	2-5/8"	24-3/8"	4-1/4"	21-1/2"
Bright Aluminum	AMC125R8*	1	F25T8	2-5/8"	36-3/8"	4-1/4"	30-3/4"
Bright Aluminum	AMC132R8	1	F32T8	2-5/8"	48-3/8"	4-1/4"	42-3/4"