

**Restoration Series  
REP113**

Project		Fixture Type
Location		Quantity
Approved By	Date	Catalog Number

**Features**

This simple style with elegant geometry features glass and a cast metal frame. The mono-point pendant is 10.25" tall and includes a 6 ft. gray adjustable cord with a twist lock strain relief for easy adjustment. Glass can be raised for easy re-lamping and has an open bottom. Product can be used over reception desks, restaurants, and in public spaces. Canopy mounts to standard junction box (not included).

**Construction**

Glass is mounted into a die cast fitter. Canopy 5" in diameter and fits over a standard junction box and is retained with two screws. Power supply connections must be made inside a junction box (not included).

**Finish**

All exposed metal parts have an applied oil-rubbed bronze finish and a clear lacquer topcoat.

**Diffuser**

Diffuser is .090" thick frosted hand-blown case glass secured into a die cast fitter with two screws.

**Electrical**

This unit is wired with UL listed electronic normal power factor socket ballast for 120V/60 Hz AC operation.

**Lamping**

For use with 1/13 watt compact fluorescent 4 pin quad lamp; supplied by others.

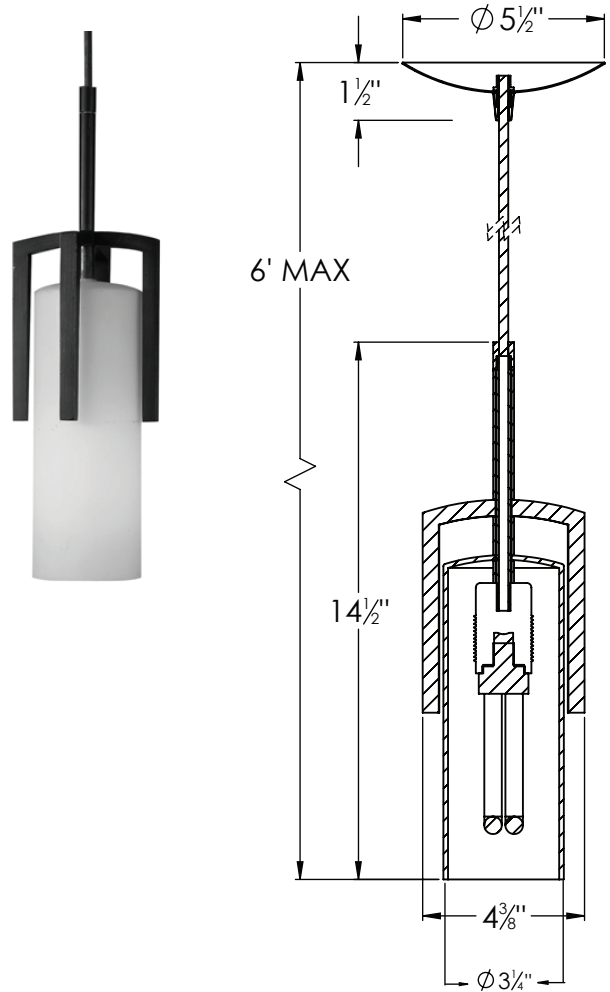
**Certification**

All fixtures are cULus listed for damp locations.

**Options**

Stem mounting  
ENERGY STAR qualified when ordered with 120V ballast and lamp

**Specifications and dimensions**  
subject to change without notice.



**Ordering Information:**

Model No.	Finish	120V	Lamps		Dimensions	
			Qty	Lamp	H	DIA
Oil-Rubbed Bronze	REP113RBEC		1	13W CFQ 4 PIN	14-1/2"	3-1/4"