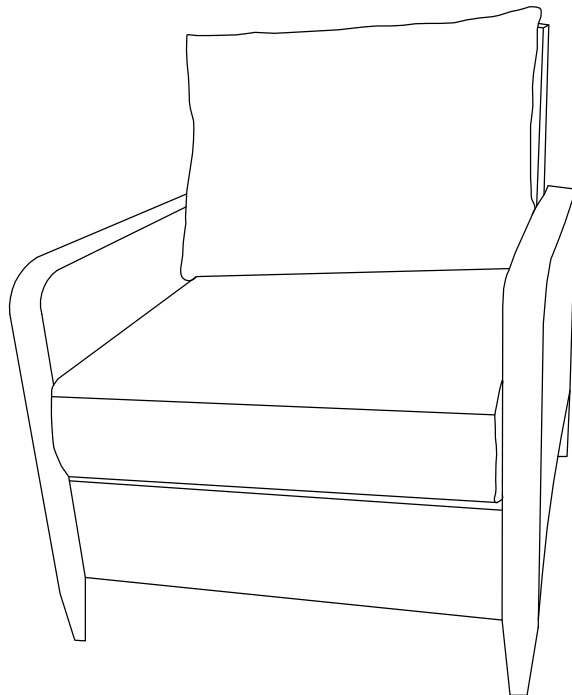




Kiawah Outdoor Wicker Arm Chair

CO7118-BR




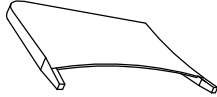
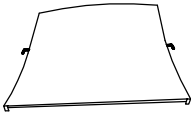
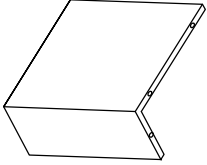
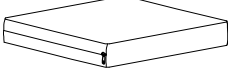



Congratulations! You have purchased a stylish piece of Crosley Furniture. We strive to provide fine furniture products, built with quality materials and hand finished details. Please carefully follow the assembly instructions to ensure your furniture is assembled correctly to provide long lasting enjoyment.

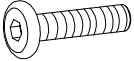
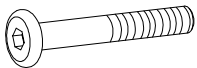
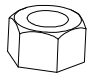

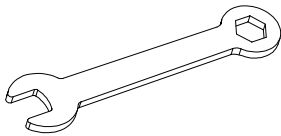

Should you experience any missing or damaged parts **do not return to the store**. Please visit our website [www.crosleyfurniture.com](http://www.crosleyfurniture.com) or contact us directly at 800-815-4796.

**Care: Use a soft, clean cloth that will not scratch the surface when cleaning. The use of solvents is not necessary. Should you choose to use solvents, test in an inconspicuous area first to avoid damaging the finish. To clean, simply use a soft, clean cloth lightly dampened with water.**

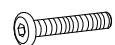
## PART LIST

					
Left Arm Panel		Right Arm Panel		Back Panel	
A	1PC	B	1PC	C	1PC
					
Seat Panel		Seat Cushion		Back Cushion	
D	1PC	E	2PCS	F	2PCS

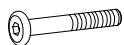
## HARDWARE LIST

					
Short Bolt(M6*40mm)		Long Bolt(M6*50mm)		Nut(M6mm)	
G	6PCS	H	4PCS	I	4PCS
					
Washer(M6mm)		Wrench(M6mm)		Allen Key(M6mm)	
J	14PCS	K	1PC	L	1PC

## EXTRA HARDWARE LIST



G X2PCS



H X1PC



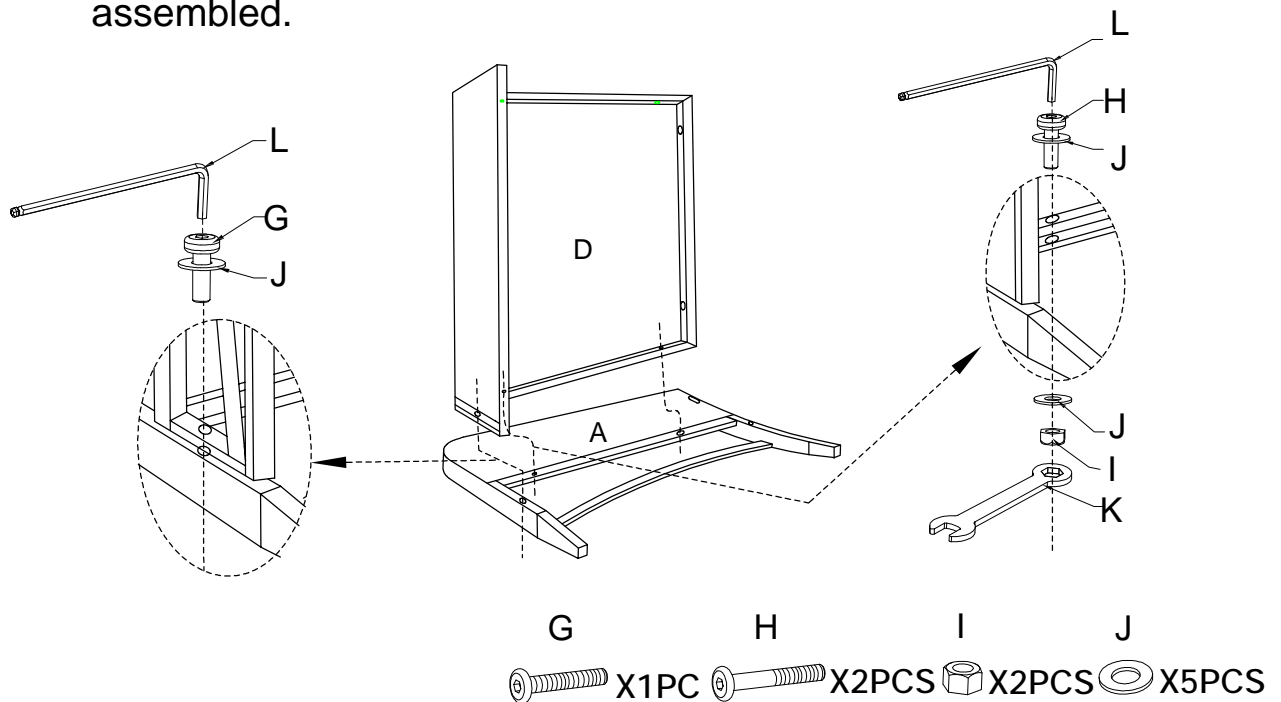
I X1PC



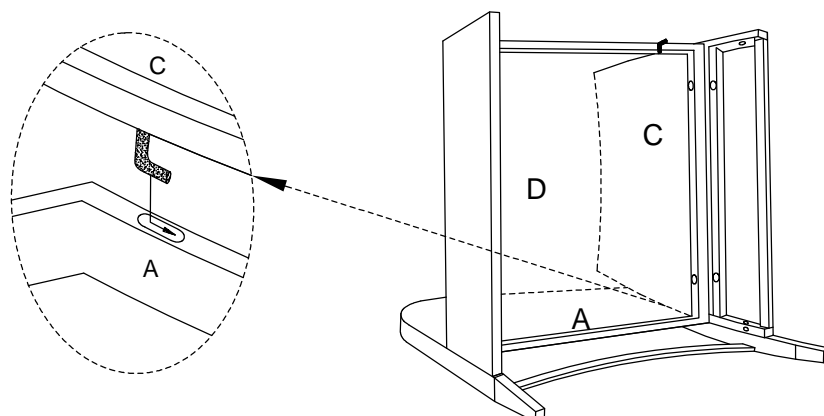
J X3PCS

**Step 1.** Lay Left Arm Panel (A) down on a flat surface. Attach Seat Panel(D) to Left Arm Panel(A) using the Short Bolts(G), Long Bolts(H), Washers(J), Nuts(I), Wrench(K) & Allen Key (L).

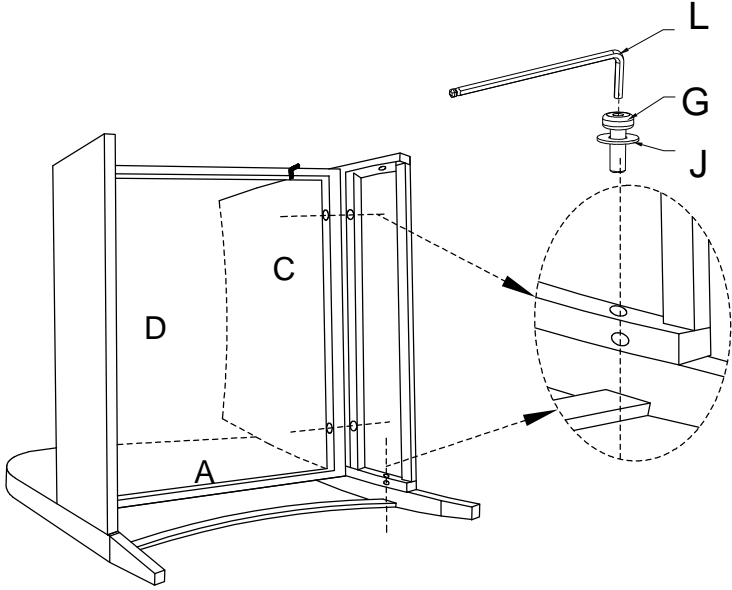
NOTE: Please do not fully tighten bolts until unit is fully assembled.



**Step 2.** Attach Back Panel (C) to Left Arm Panel (A) by inserting hook into the hole on Left Arm Panel (A).

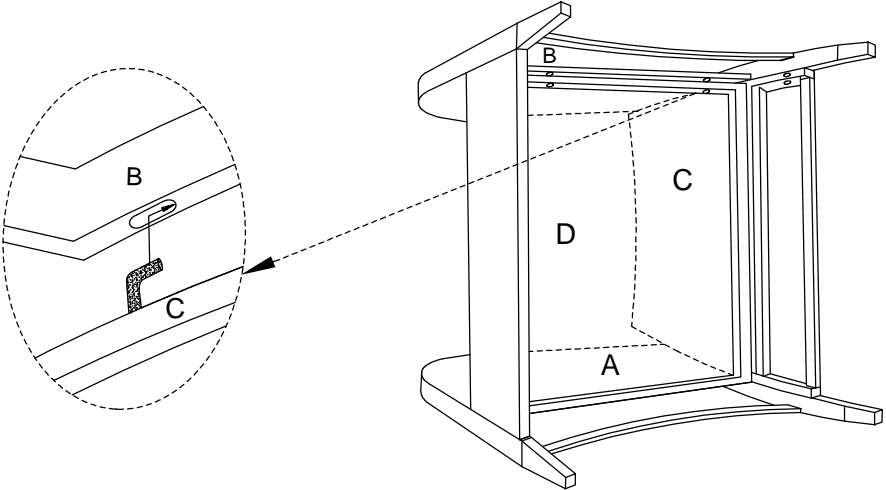


**Step 3.** Attach Back Panel(C) to Left Arm Panel(A) and Seat Panel (D) using the Short Bolts( G) Washers(J) & Allen Key (L).

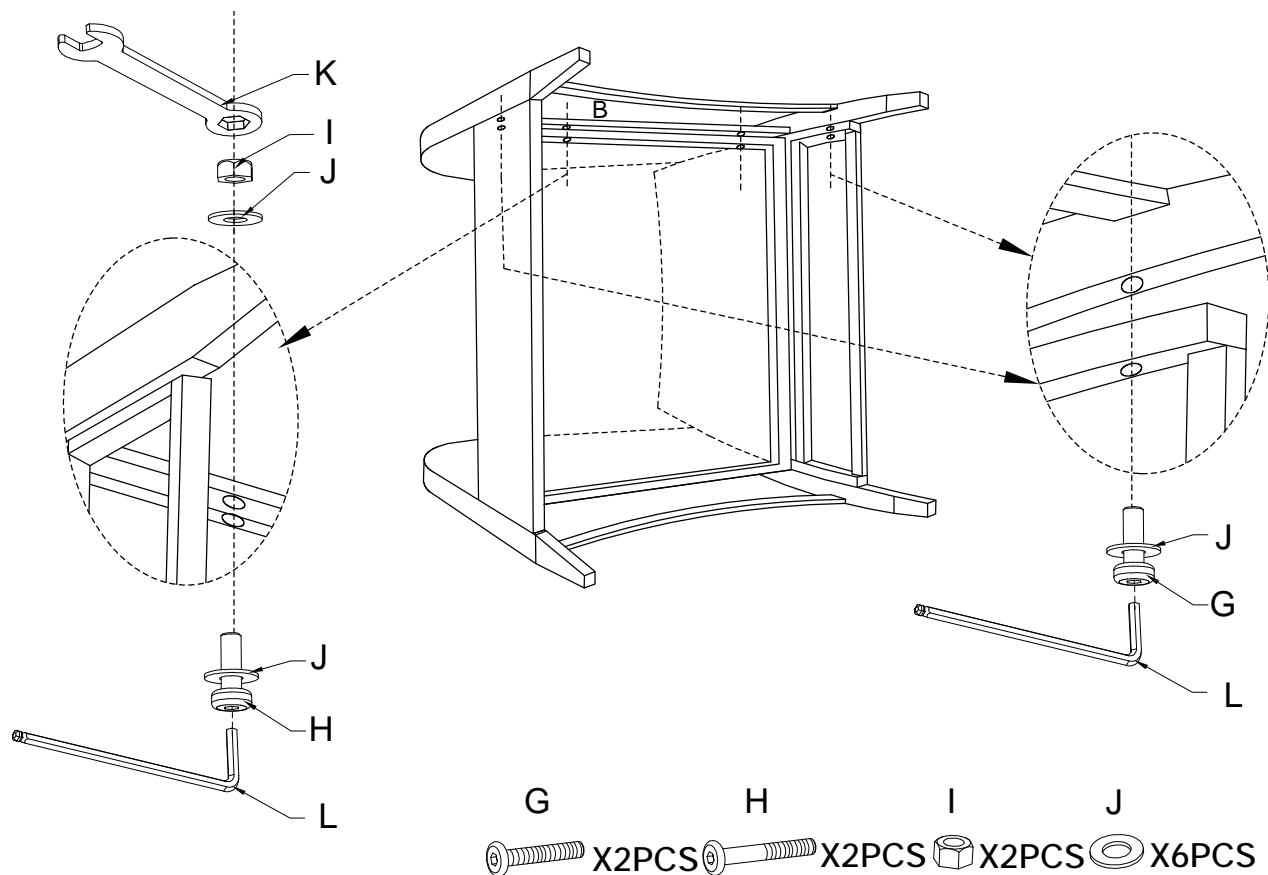


- G X3PCS
- J X3PCS

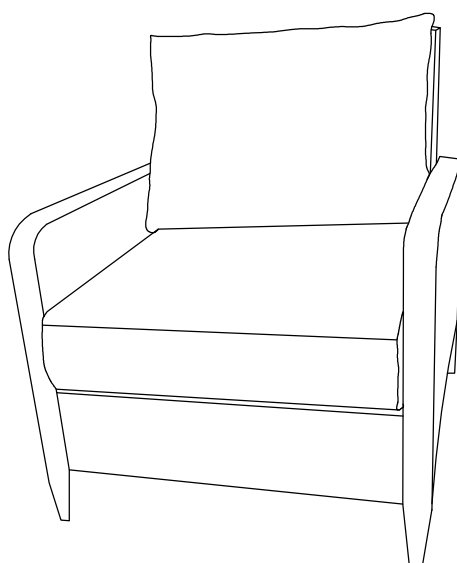
**Step 4.** Attach Right Arm Panel (B) to Back Panel (C) by inserting hook into the hole on Right Arm Panel (B).



**Step 5.** Attach Right Arm Panel (B) to assembled parts(A,C&D) using the Short Bolts (G),Long Bolts (H ),Washers (J ),Nuts ( I ), Wrench ( K ), and Allen Key (L).



**Step 6.** Place Seat Cushion and Back Cushion on the chair.





## Limited Manufacturers Warranty

Crosley Furniture Products are warranted against defects in material and workmanship for a period of 90 days beginning from the date of sale. Should any parts be missing or defective, we will replace or repair the parts for a period of 90 days from the date of purchase.

**Should you experience any missing or damaged parts, do not return to the store.** Please contact us directly at 800-815-4796 from 9 AM to 5 PM (EST) Monday to Friday.

This warranty gives the purchaser specified legal rights in addition to any rights which may vary from state to state.

In accordance with the "Moss-Magnuson Warranty Act" of July 10, 1975, this is termed a "limited warranty" which in no way compromises Crosley Furniture's high standards of Quality and Workmanship.