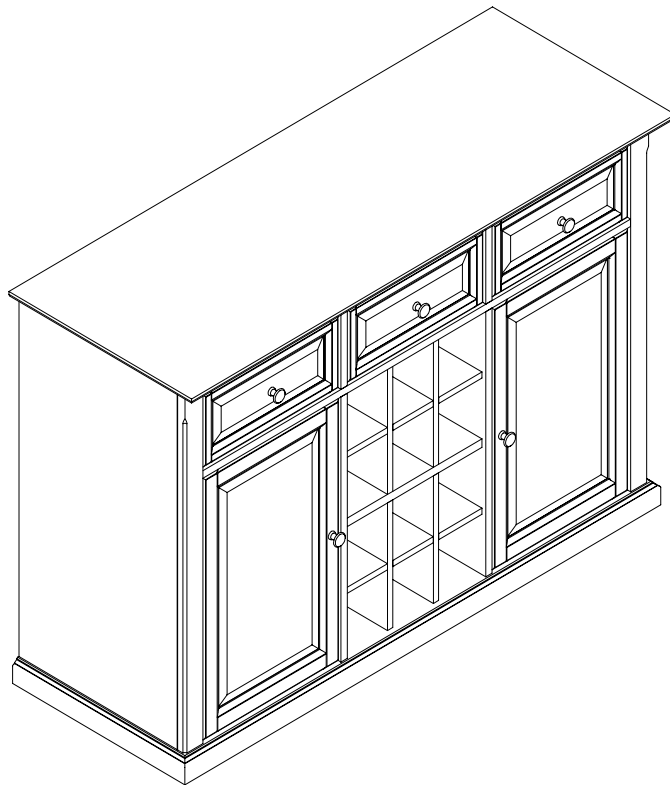


C R O S L E Y
F U R N I T U R E

Wine Buffet Server Cabinet

CF4201



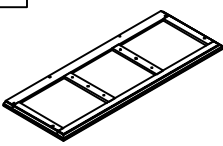
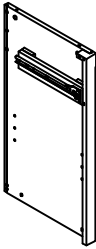
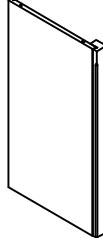
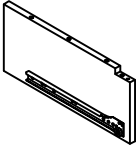
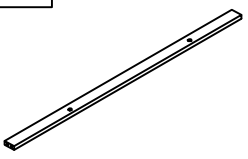
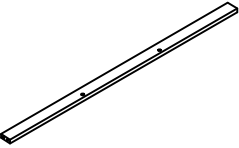
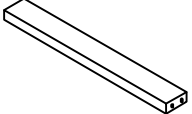
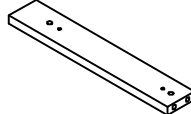
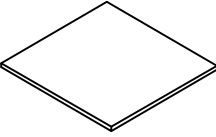
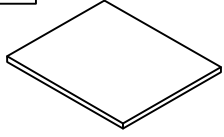
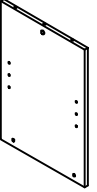
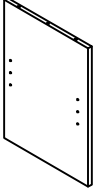
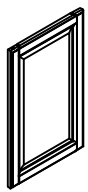
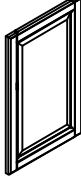
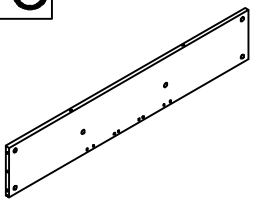


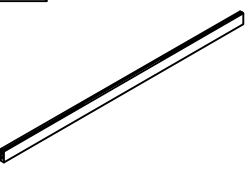
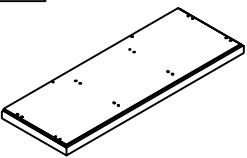
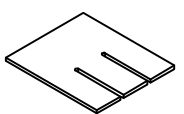
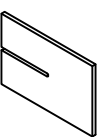
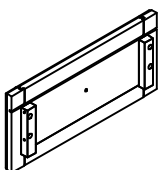
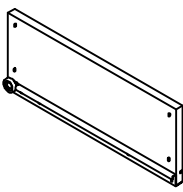
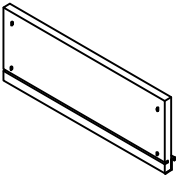
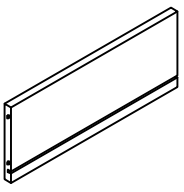
C R O S L E Y
F U R N I T U R E

Congratulations! You have purchased a stylish piece of Crosley Furniture. We strive to provide fine furniture products, built with quality materials and hand finished details. Please carefully follow the assembly instructions to ensure your furniture is assembled correctly to provide long lasting enjoyment.

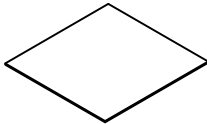
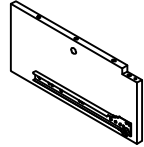
Should you experience any missing or damaged parts, **do not return to the store.** Please contact us directly at 800-815-4796.

Care: Use a soft clean cloth that will not scratch the surface when dusting. Use of furniture polish is not necessary. Should you choose to use polishes, test in an inconspicuous area first. Use of solvents of any kind may damage your furniture's finish. To clean, simply use a soft clean cloth moistened with lukewarm water, then buff with a dry soft clean cloth.

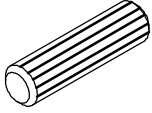
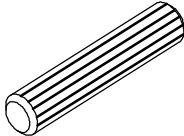
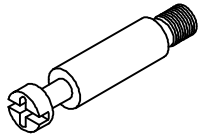
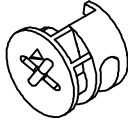

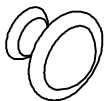
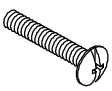

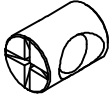
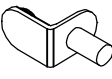
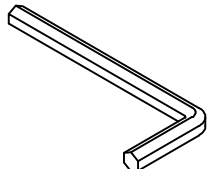
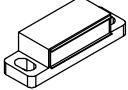
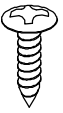

PART LIST

A 	B 	C 	D 	E 
1 PC	1 PC	1 PC	1 PC	1 PC
F 	G 	H 	I 	J 
1 PC	2 PCS	2 PCS	2 PCS	1 PC
K 	L 	M 	N 	O 
1 PC	1 PC	1 PC	1 PC	1 PC
P 	Q 	R 	S 	T 
2 PCS	3 PCS	1 PC	1 PC	2 PCS
U 	V 	W 	X 	Y 
4 PCS	3 PCS	3 PCS	3 PCS	3 PCS

PART LIST

<div style="border: 1px solid black; padding: 2px; width: 20px; float: left; margin-right: 5px;">Z</div> 	<div style="border: 1px solid black; padding: 2px; width: 20px; float: left; margin-right: 5px;">ZA</div> 
3 PCS	1 PC

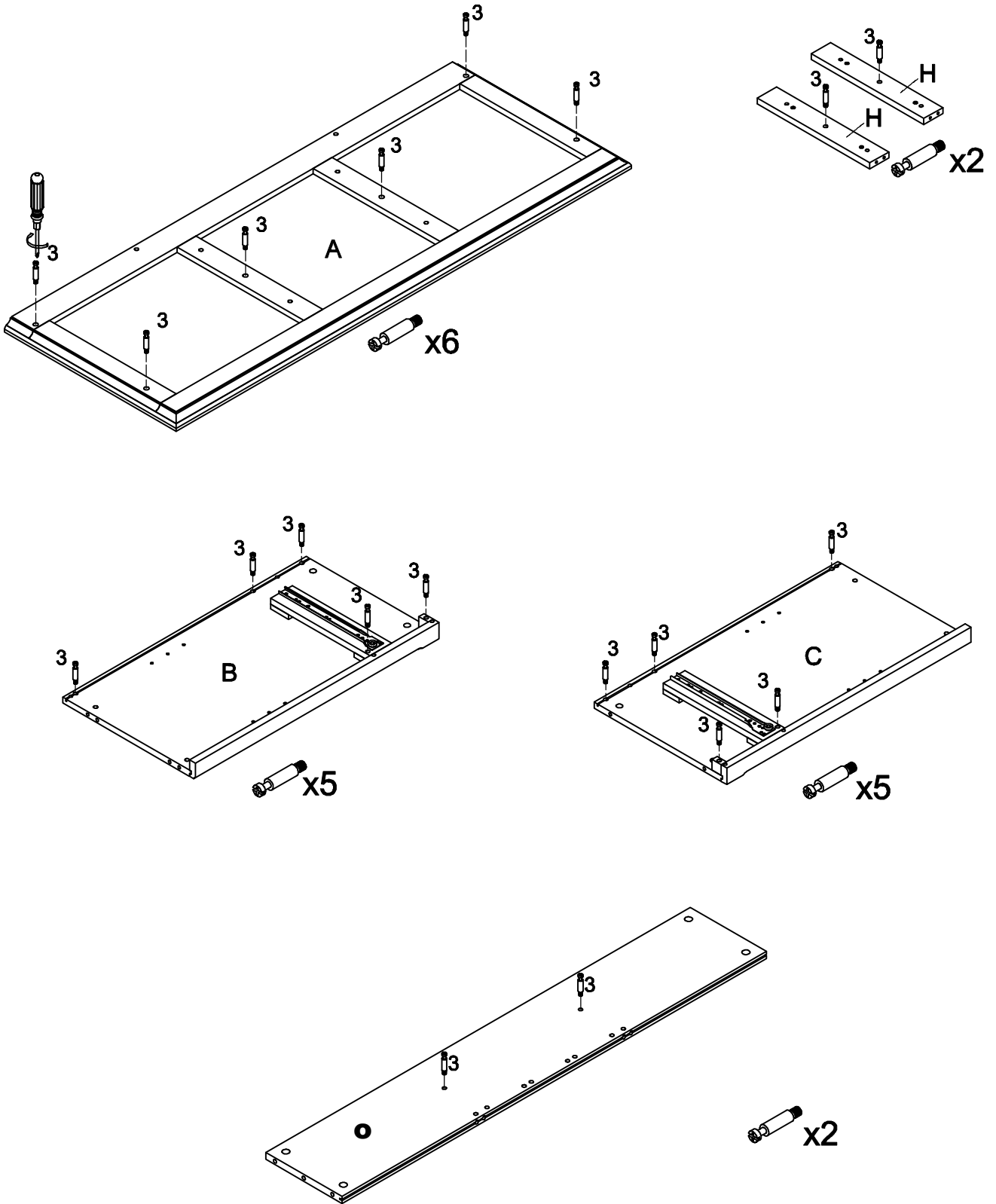
HARDWARE LIST

<div style="border: 1px solid black; padding: 2px; width: 20px; float: left; margin-right: 5px;">1</div> 	<div style="border: 1px solid black; padding: 2px; width: 20px; float: left; margin-right: 5px;">2</div> 	<div style="border: 1px solid black; padding: 2px; width: 20px; float: left; margin-right: 5px;">3</div> 	<div style="border: 1px solid black; padding: 2px; width: 20px; float: left; margin-right: 5px;">4</div> 	<div style="border: 1px solid black; padding: 2px; width: 20px; float: left; margin-right: 5px;">5</div> 
WOOD DOWEL 50 PCS	Long Wood Dowel 8*50mm 4 PCS	CAM BOLT 20 PCS	CAM LOCK 20 PCS	SCREW 24 PCS
<div style="border: 1px solid black; padding: 2px; width: 20px; float: left; margin-right: 5px;">6</div> 	<div style="border: 1px solid black; padding: 2px; width: 20px; float: left; margin-right: 5px;">7</div> 	<div style="border: 1px solid black; padding: 2px; width: 20px; float: left; margin-right: 5px;">8</div> 	<div style="border: 1px solid black; padding: 2px; width: 20px; float: left; margin-right: 5px;">9</div> 	<div style="border: 1px solid black; padding: 2px; width: 20px; float: left; margin-right: 5px;">10</div> 
KNOB 5 PCS	ROUND HEAD BOLT 5 PCS	HEX SOCKET HEAD BOLT 8 PCS	BARREL NUT 8 PCS	SHELF HOLDER 12 PCS
<div style="border: 1px solid black; padding: 2px; width: 20px; float: left; margin-right: 5px;">11</div> 	<div style="border: 1px solid black; padding: 2px; width: 20px; float: left; margin-right: 5px;">12</div> 	<div style="border: 1px solid black; padding: 2px; width: 20px; float: left; margin-right: 5px;">13</div> 	<div style="border: 1px solid black; padding: 2px; width: 20px; float: left; margin-right: 5px;">14</div> 	
ALLEN KEY 1 PC	DOOR CATCH 2 PCS	ROUND HEAD SCREW 4 PCS	1-1/4"***Ø4*D8 Long Screw 8 PCS	

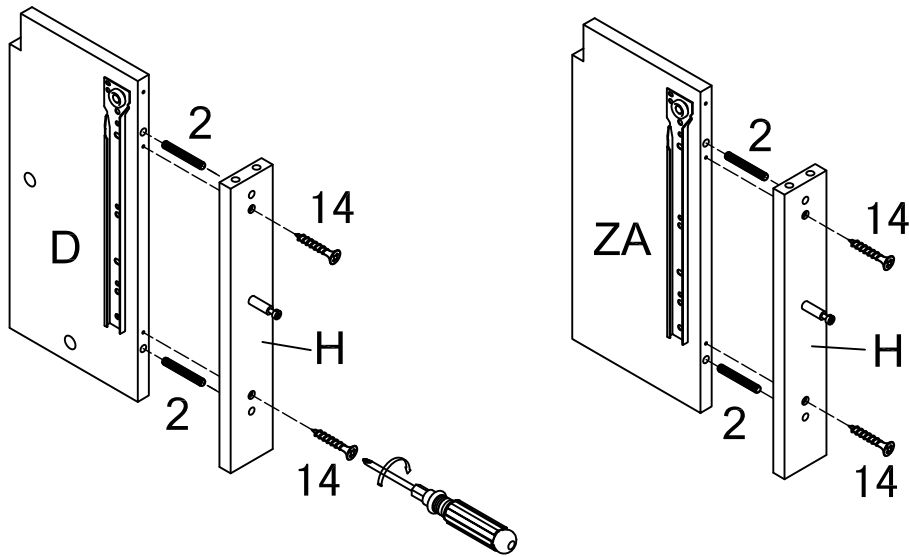
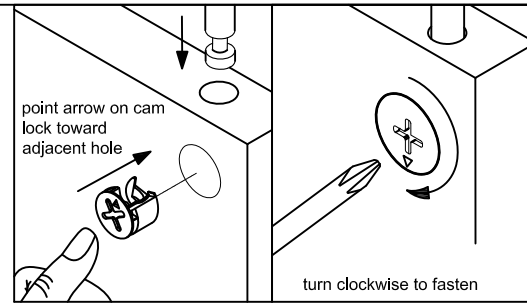
Tools needed: Allen key (part#11) (included)
Phillips Head Screw Driver (Not included)

NOTE: Wood Dowels are intended for alignment only when assembling your furniture. Additional clearance between the wood dowels & pre-drilled holes is intended for ease of assembly.

Step 1. Insert Cam Bolts(Part#3)into pre-drilled holes of Parts A, B, C, H(x2) & Part O with a Phillips Head screw driver as shown. Do not overtighten.



Step 2. Insert Long Wood Dowels (Part #2) into Parts D & ZA as shown. Attach Parts H to Parts D & ZA with Screws (Part #14) as shown.
 Note: Long Wood Dowel (Part #2) will pass completely through Part H.

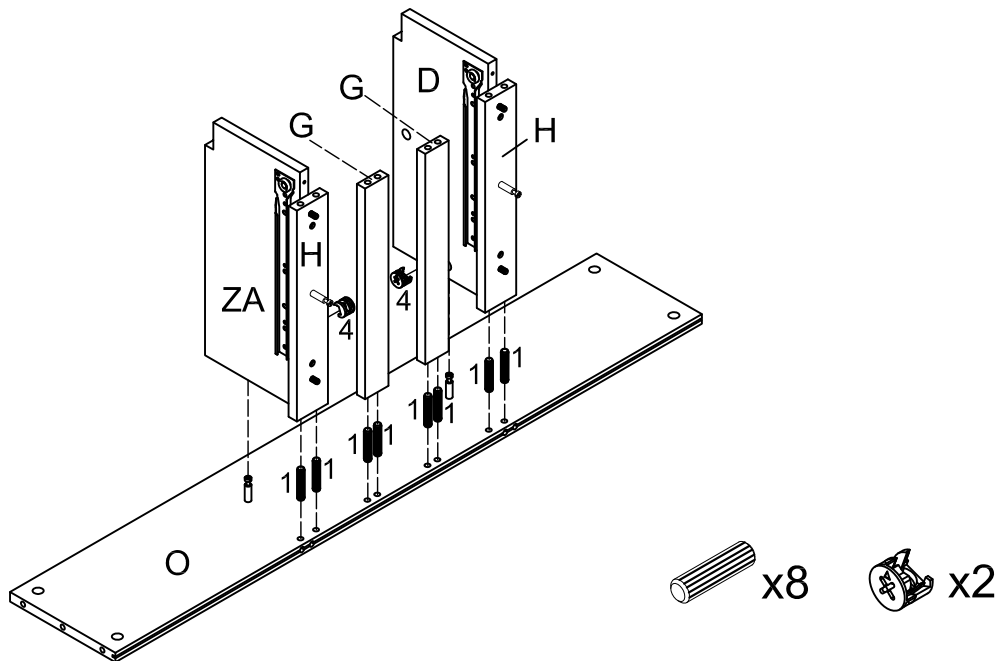


Long Screws
 x4 (1-1/4" * \varnothing 4 * D8)



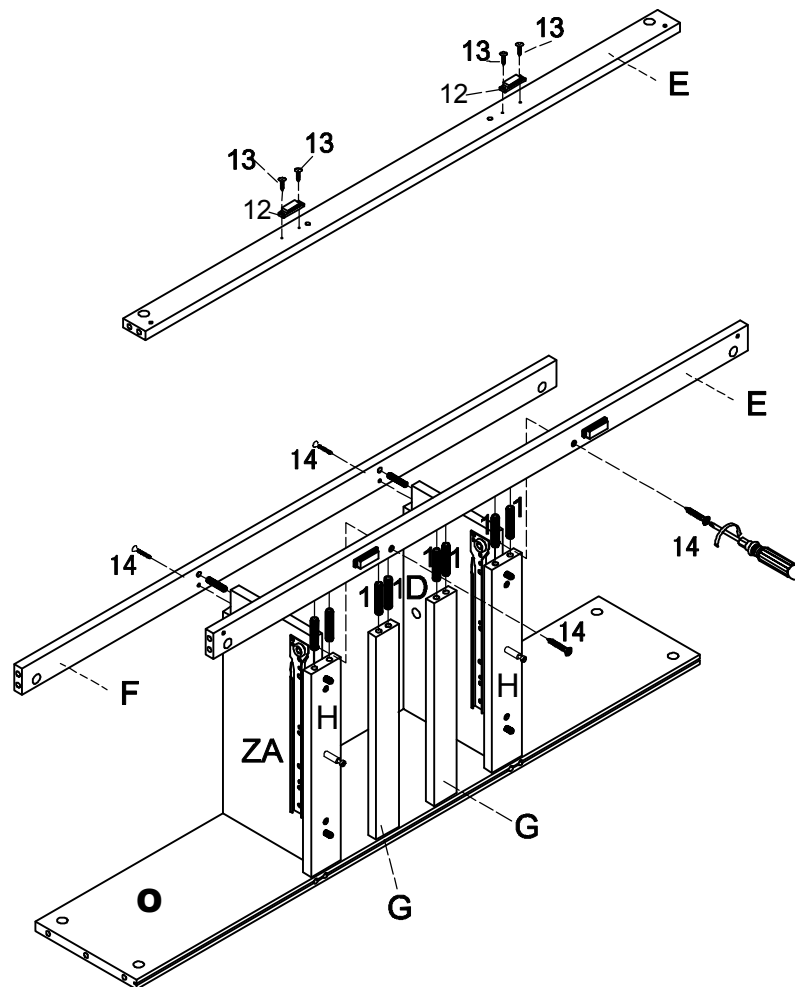
Part #2 (Long Wood Dowel)
 x4 (8*50mm)





Step 3. Lay Part O flat on floor as shown. Insert Wood Dowels (Part#1) into Part O. Attach Part D & ZA to Part O. Attach Part D & ZA to Part O with Cam Locks (part #4) as shown. Insert Parts G.



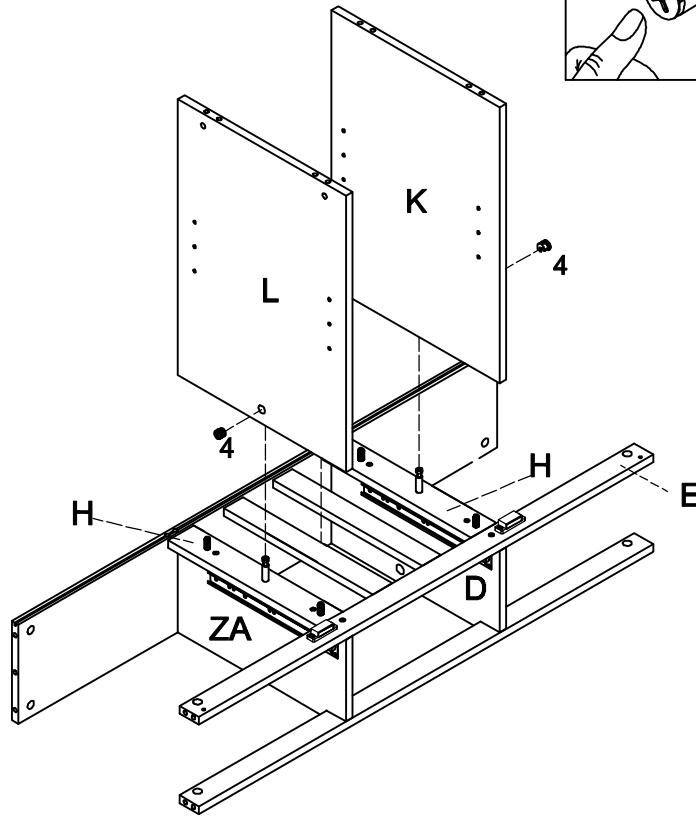
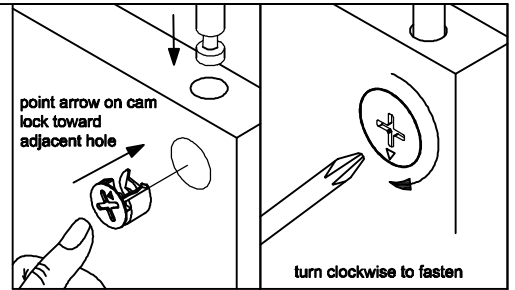
Step 4. Attach Door Catches (Part #12) to Rail E with Round Head Screws (Part #13) as shown. Insert Wood Dowels (Part #1) into Parts H, G, D, & ZA as shown. Set Rail E into place on Rails G & H with Wood Dowels (Part #1) as shown. Secure Rail E to Parts ZA & D using Screws (Part #14) as shown. Attach Rail F to Parts ZA & D using Wood Dowels (Part #1) & Screws (Part #14) as shown.

NOTE: BE SURE THAT SCREWS ARE ALIGNED PROPERLY WITH PRE-DRILLED HOLES IN PARTS D & ZA BEFORE TIGHTENING.

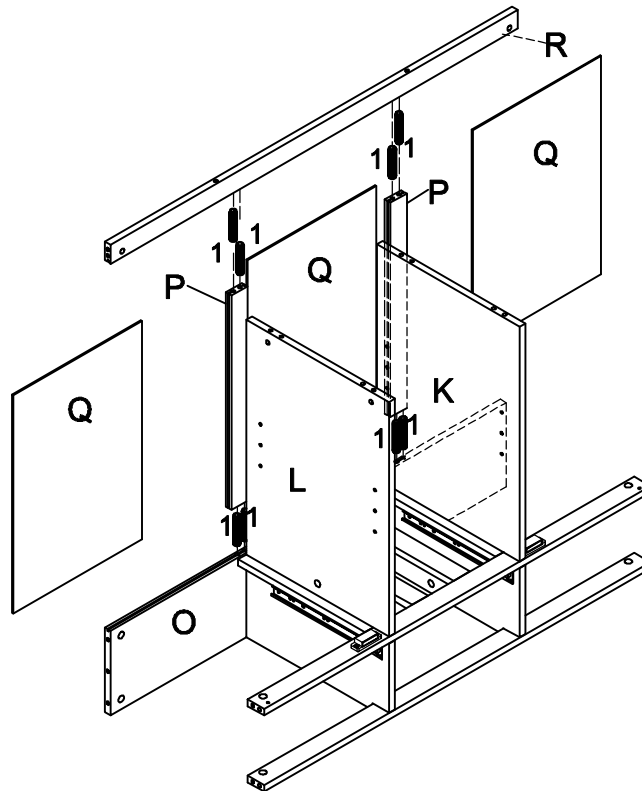


-  x4
-  x2
-  x10
-  Long Screws
x 4 (1- 1/4")

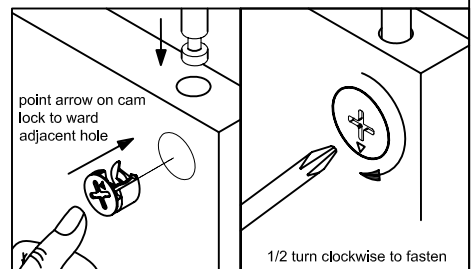
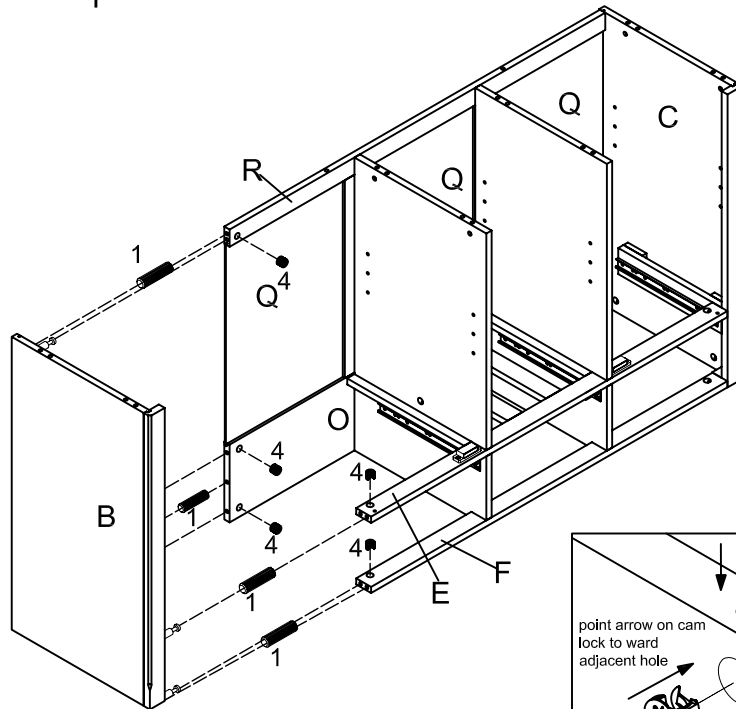
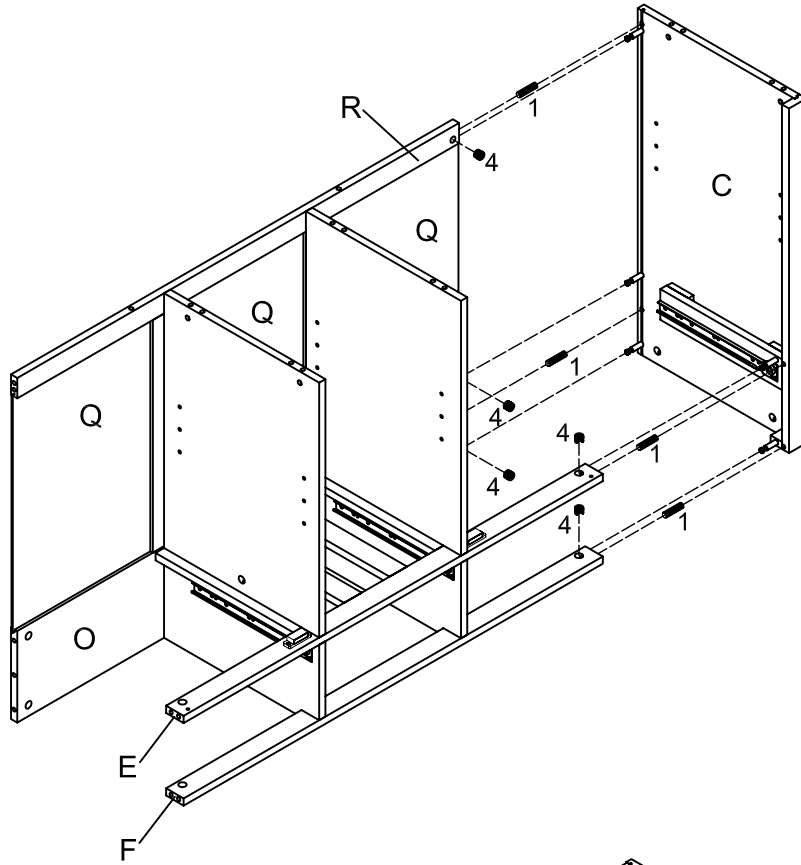
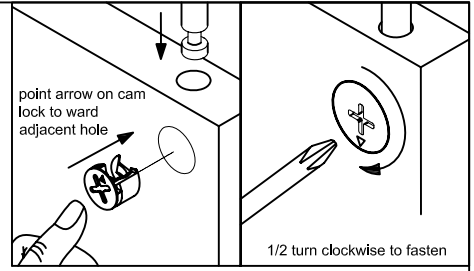
Step 5. Attach Panels L&K to Rails H using Cam Locks (Part #4) as shown.



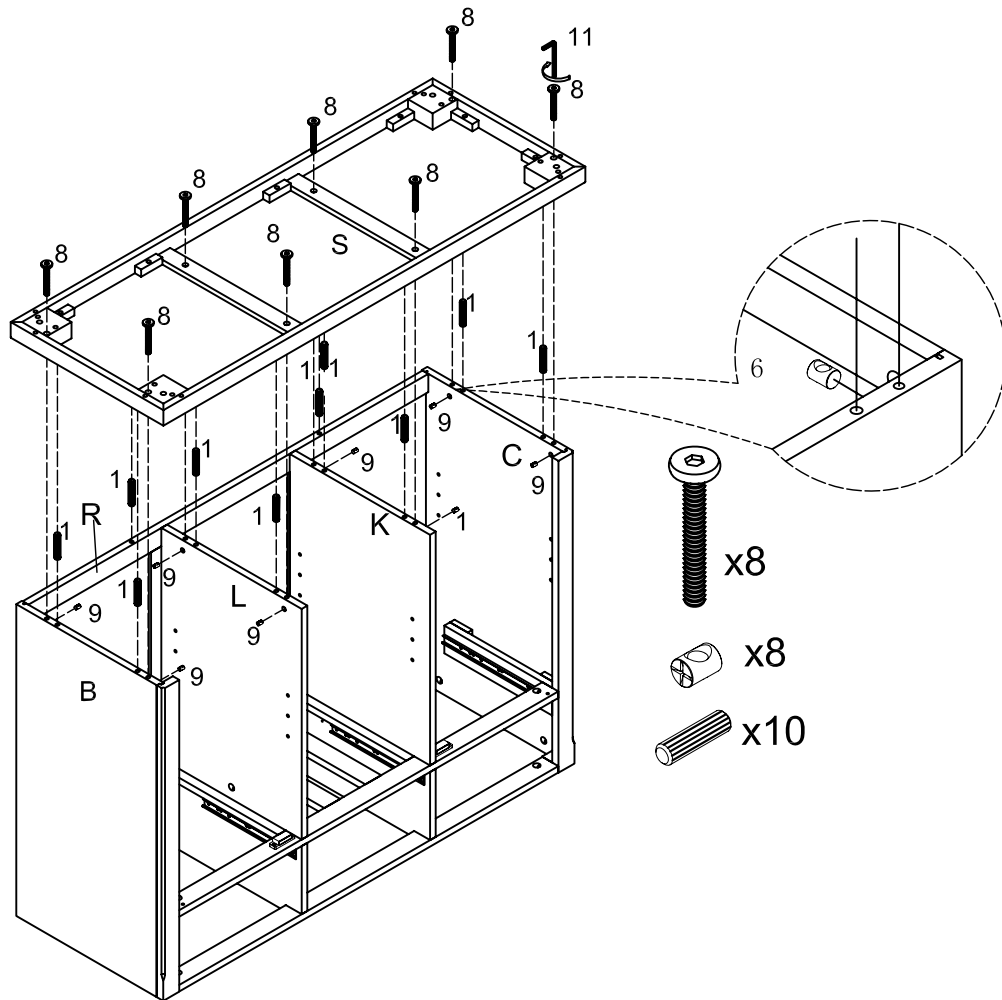
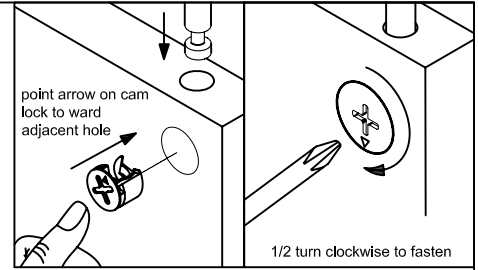
Step 6. Set Rails P into place on Part O using Wood Dowels (Part #1) as shown. Insert Panels Q into the grooves of Parts O & P. Set Rail R onto Rails P & Panels Q with Wood Dowels (Part #1) as shown.



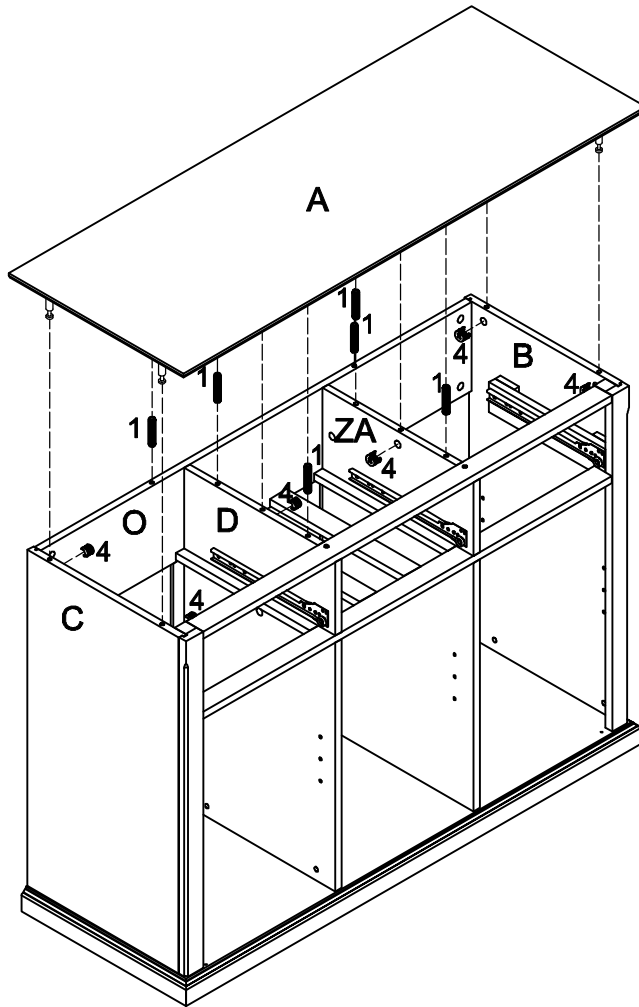
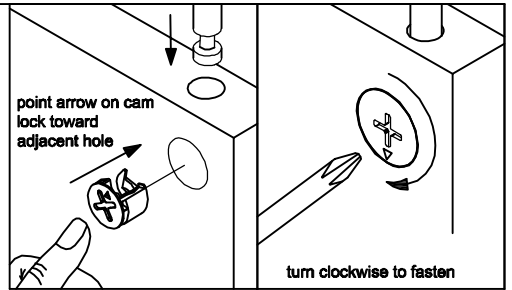
Step 7. Attach Side Panel C to Parts E, F, O & R with Wood Dowels (Part #1) & Cam Locks as shown. Repeat this step to attach Side Panel B.



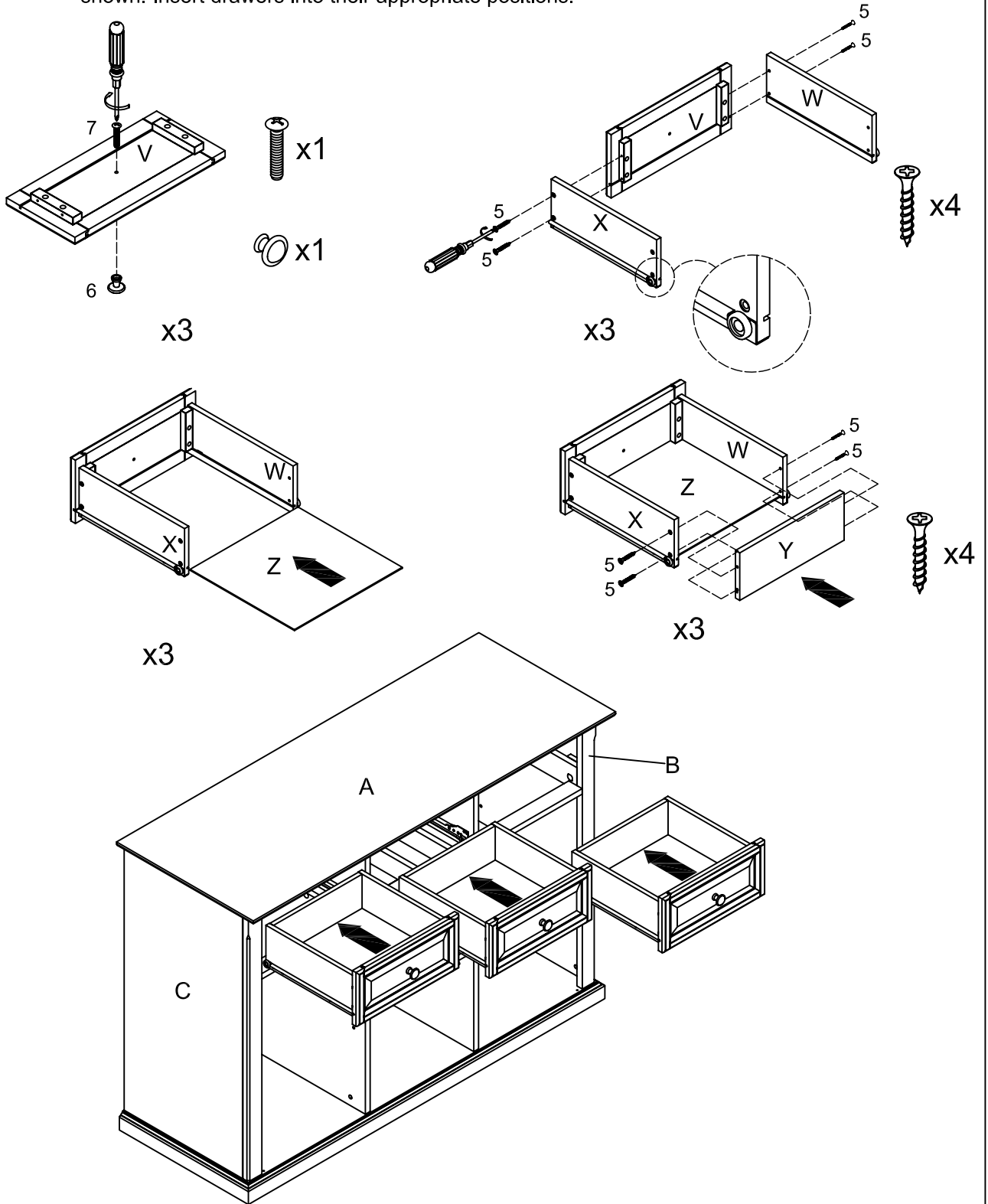
Step 8. Attach Base S to cabinet using Wood Dowels (Part #1), Hex Socket Head Bolts (Part #8), & Barrel Nuts (Part #9) as shown. **Now attach legs using Hex Socket Head Bolts & Wood Dowels (as shown in instruction manual included in carton with legs).** Carefully turn cabinet over so that legs are on the floor.



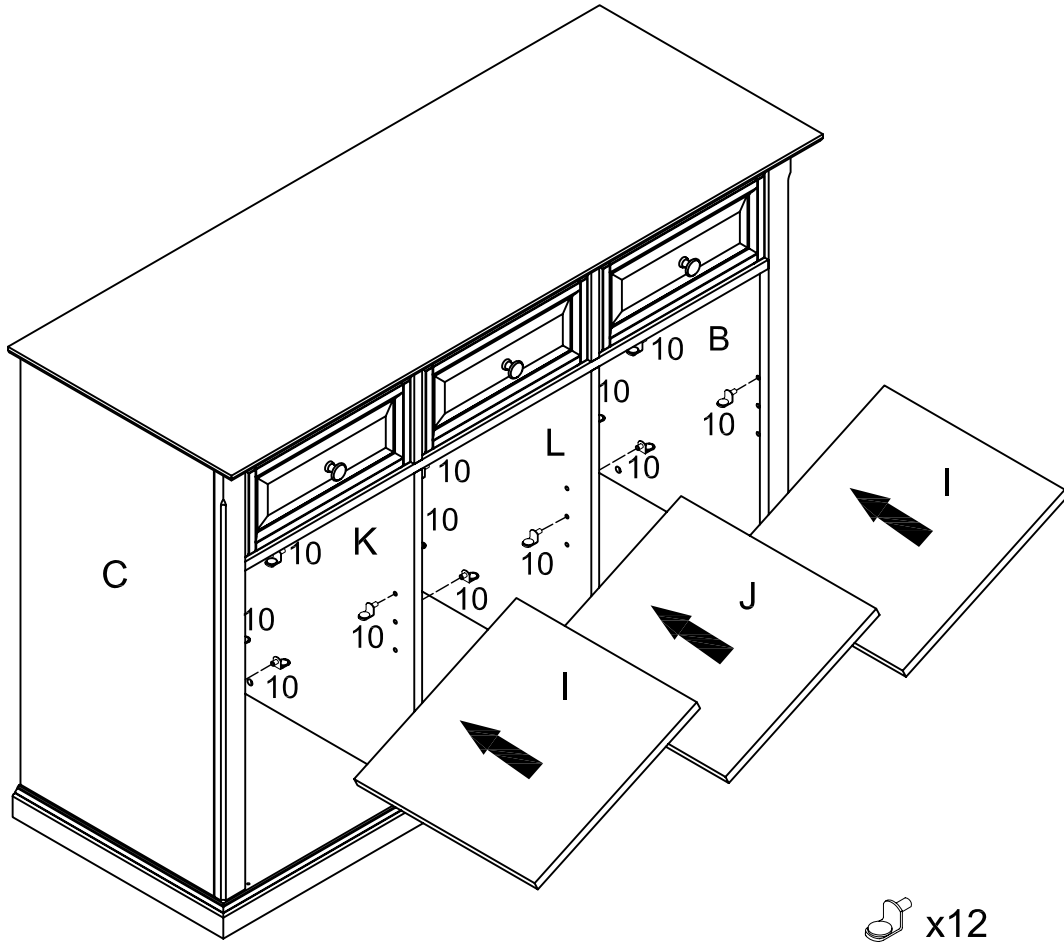
Step 9. Attach Top A to cabinet using Wood Dowels & Cam Locks as shown.




Step 10. Attach Drawer Front V to Drawer Sides W & X with Screws (Part #5) using Phillips Head screwdriver as shown. **NOTE: BE SURE THAT WHEELS ON DRAWER GLIDES ARE FACING OUTWARD, AND ARE AT THE OPPOSITE SIDE OF THE DRAWER FRONT.** Slide Bottom Panel Z into grooves of Parts W & X as shown. Attach Back Panel Y to Side Panels W & X with Screws (Part #5) using Phillips Head screwdriver as shown. Repeat this step for the other two drawers. Attach Hardware Knobs (Part #6) to Drawer Fronts V with Round Head Bolt (Part #7) as shown. Insert drawers into their appropriate positions.

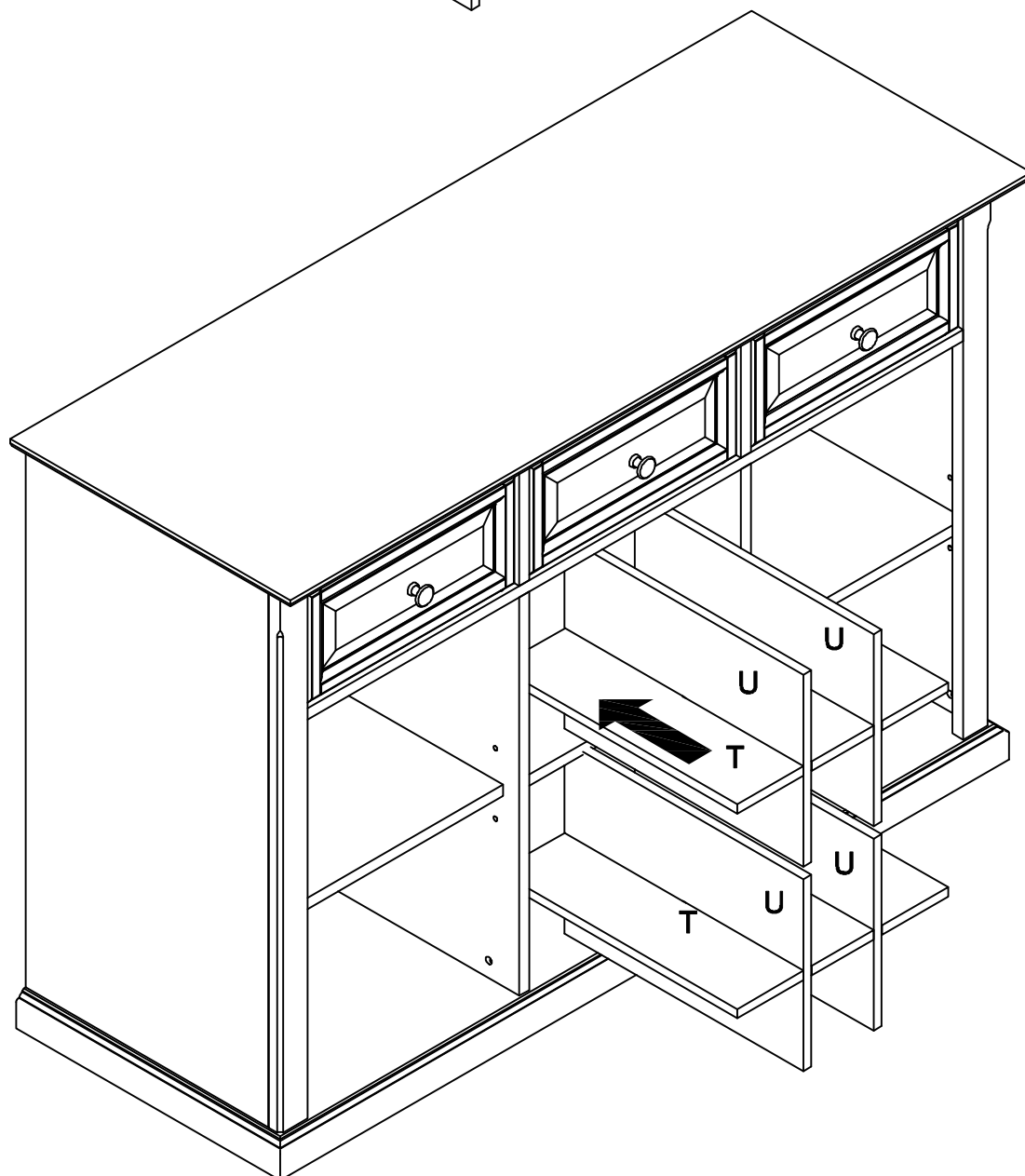
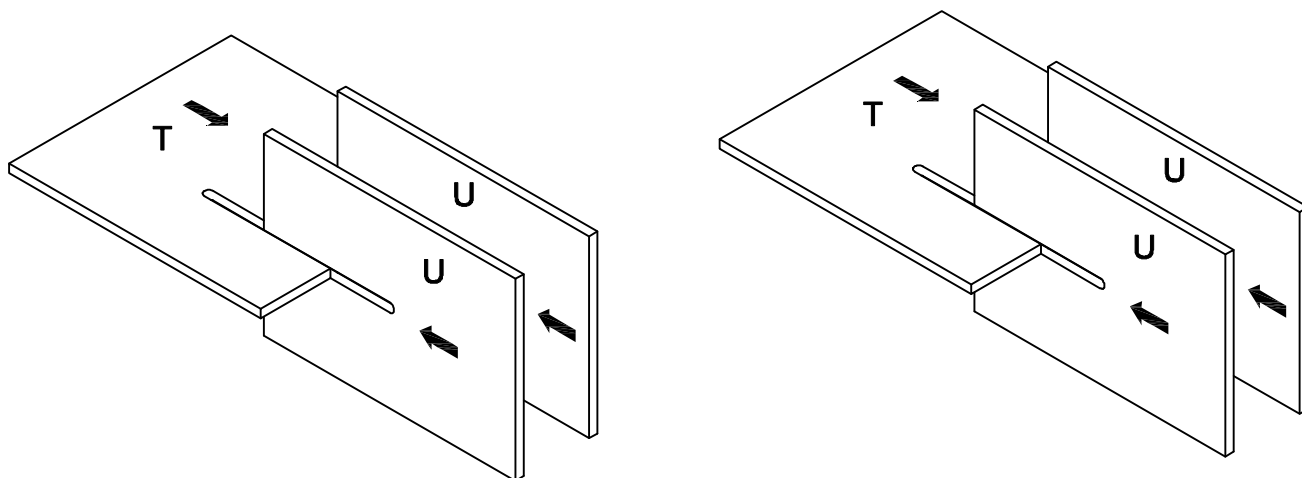


Step 11. Insert Shelf Holders (Part #10) into desired positions. Insert Shelves I & Shelf J into desired position. **NOTE: IF YOU INTEND TO USE THE WINE STORAGE GRIDS, SHELF J MUST BE PLACED IN THE CENTER HOLE POSITIONS TO FIT CORRECTLY.**



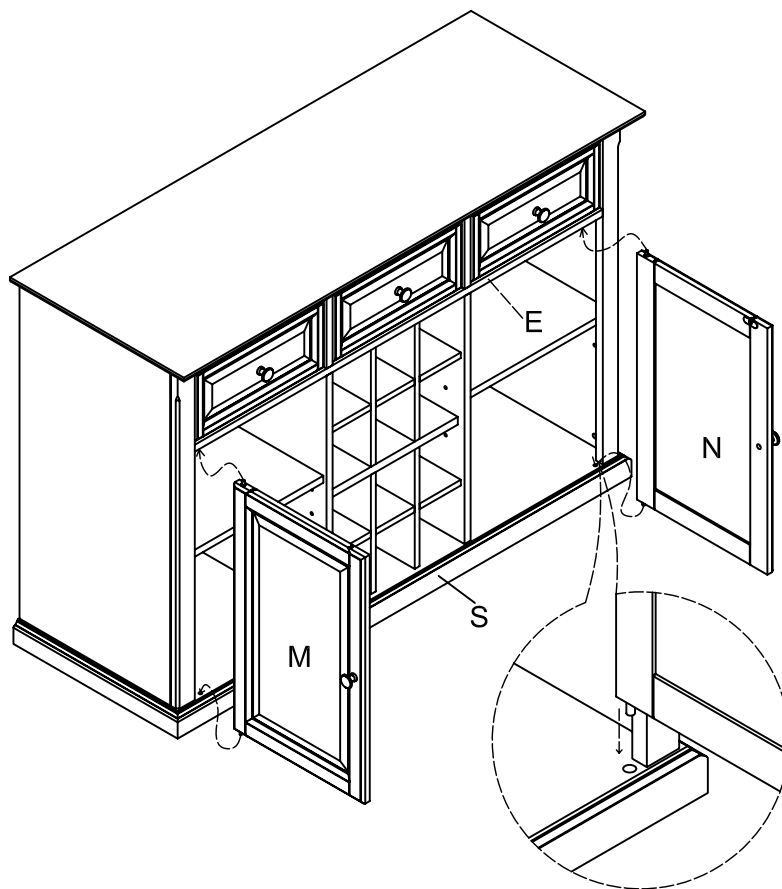
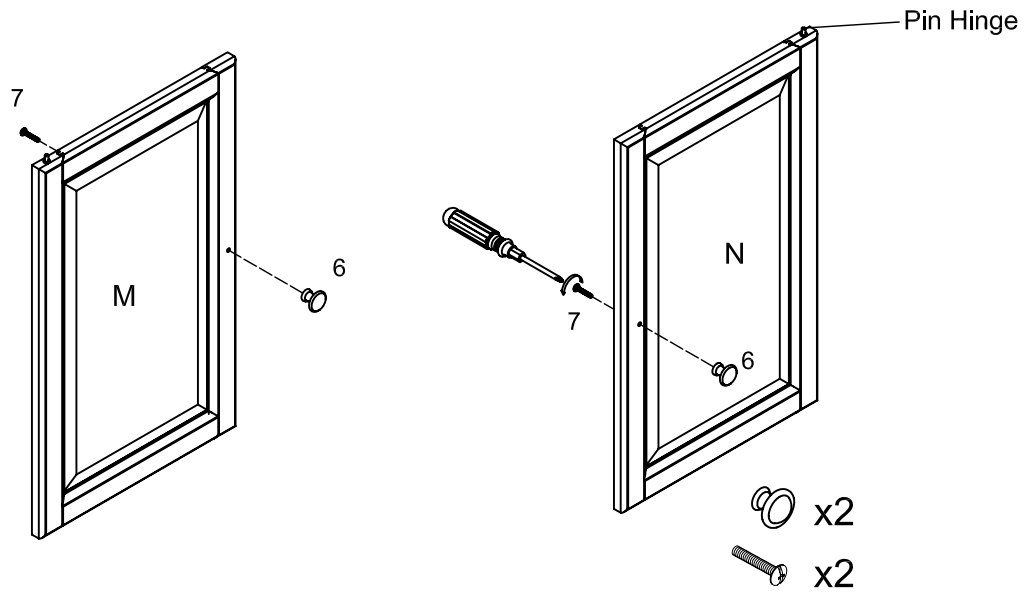
 x12

Step 12. Slide Parts U & Part T together as shown. Repeat this step for other Wine storage grid. Making sure that Shelf J is placed in the center hole position, carefully insert the wine storage grids into place in the center portion of the cabinet.



Step 13. Attach Hardware Knobs (Part #6) to the doors with Round Head Bolts (Part #7) using Phillips Head screwdriver as shown. Attach doors to cabinet by placing bottom Pin Hinge into pre-drilled holes in Base S & depressing top spring loaded Pin Hinge to fit door into place in Rail E.

Note: Be sure Pin Hinges (top & bottom) have fully extended into the pre-drilled holes in Base S and Rail E to secure doors into place.



C R O S L E Y
F U R N I T U R E

Limited Manufacturers Warranty

Crosley Furniture Products are warranted against defects in material and workmanship for a period of 90 days beginning from the date of sale. Should any parts be missing or defective, we will replace or repair the parts for a period of 90 days from the date of purchase.

Should you experience any missing or damaged parts, do not return to the store. Please contact us directly at 800-815-4796 from 9 AM to 5 PM (EST) Monday to Friday.

This warranty gives the purchaser specified legal rights in addition to any rights which may vary from state to state.

In accordance with the "Moss-Magnuson Warranty Act" of July 10, 1975, this is termed a "limited warranty" which in no way compromises Crosley Furniture's high standards of Quality and Workmanship.