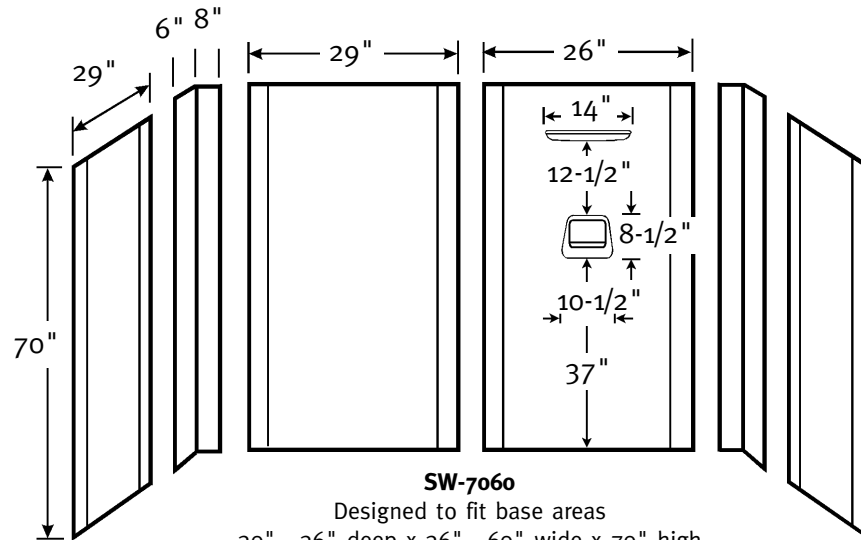


Manufactured from Swan High-Gloss
(see page 2 for detailed information)

WARRANTY
Limited Lifetime – Residential
Limited 5-year – Commercial

FEATURES

- Ultra-bright, glossy surface comes from durable, baked-on finish
- Includes all materials needed for installation
- The SW-7060 is a glue-up 6-piece shower wall panel system
- Compression molded



SW-7060
Designed to fit base areas
30" – 36" deep x 36" – 60" wide x 70" high
(762 – 914 mm x 914 – 1524 mm x 1778 mm)

SPECIFICATIONS

SW-7060 High-Gloss Shower Wall Kit

Model	Part	Base Area Designed To Fit	Ship Wt. Lb.	Ship UPS	Carton Dims. In.	Cu. Ft.
SW-7060	SW07060	30" – 36" D x 36" – 60" W x 70" H (762 mm – 914 mm x 914 mm – 1524 mm x 1778 mm)	68	–	74 x 30 x 7	9.0

Kit Includes: One back panel with molded-in soap dish and shampoo shelf, two right angle corner panels, two flat side panels, one flat extension panel, one roll of pressure sensitive tape, three tubes of adhesive, one tube of caulk and complete installation instructions.

Packaging: Each kit is packed in a flat, rectangular carton.

ACCESSORIES

See page 55 for complete listing of all shower wall accessories.

STANDARDS AND RATINGS

Class B fire rating
American Society for Testing and Materials
National Electrical Manufacturers Association

SUPPORT DOCUMENTS

Installation instructions available on line at www.swanstone.com

COLORS (See pg. 139 for color sample.)

- White (010)
- Bone (037)
- Bisque (018)

MAINTENANCE AND CLEANING INFORMATION

Warning: Do not use abrasives as it will dull the glossy finish! This product is made of Swanstone with a gloss finish. While it is stain resistant, it requires regular and reasonable care. Wash regularly with warm water and a non-abrasive cleaner such as Soft Scrub Liquid Gel with bleach (without abrasives), Clorox Clean-up with bleach, Top Job or Mr. Clean. Remove hard water stains or mineral build up with scale removers such as Lime-Away.

Do not use harsh cleansers or abrasives such as scouring powders, abrasive cleansers or scouring pads. Abrasives will dull the finish. Protect the finish with fiberglass wax or automotive paste wax.