

With Fit-Flo Drain

Manufactured from Swanstone solid surface
(see page 2 for detailed information)

WARRANTY
Limited Lifetime – Residential
Limited 10-year – Commercial

Recommended for high use traffic areas and commercial surfaces

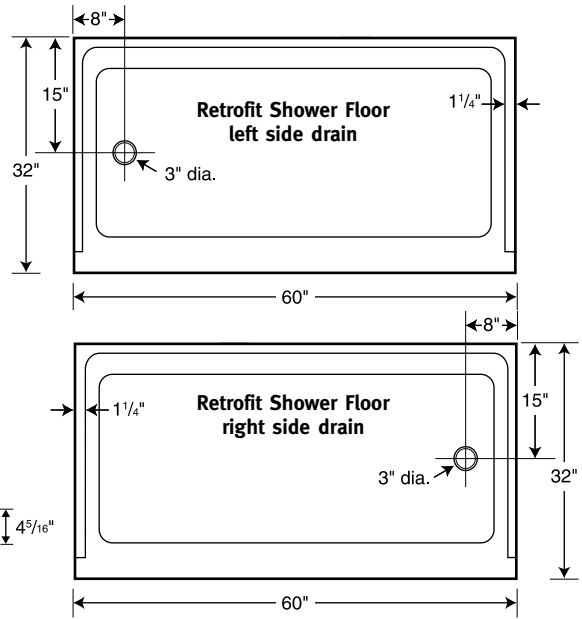
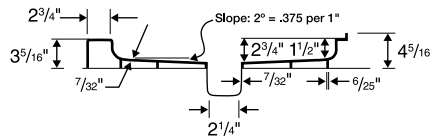
FEATURES

- Reinforced solid surface means color and texture run all the way through and cannot wear away
- Will not mold or mildew, no grout to clean
- Coordinates with Swanstone shower and bath systems
- Pebbled, slip-resistant surface
- Without expensive plumbing re-work, this floor can be installed in the same area once occupied by a standard bath tub.

Model	Nominal Size	Rough-In Dimensions			
		60"	32"	8"	15"
SR-3260L*	32" x 60"	60-3/8"	32-3/16"	8-3/16"	15-3/16"
SR-3260R**	32" x 60"	60-3/8"	32-3/16"	8-3/16"	15-3/16"

*Retrofit (left side drain) **Retrofit (right side drain)

IMPORTANT: Rough-in dimensions are provided for reference only. You must measure the actual shower floor and check local building code requirements before construction of the stud wall.



SPECIFICATIONS

Retrofit Shower Floors With Fit-Flo Drain

Model	Part	Nominal Size Dimensions	Ship Wt. Lb.	Ship UPS	Carton Dims. In.	Cu. Ft.
SR-3260L	SR03260LM	32" D x 60" W (Retrofit left drain)	59	-	66 x 37 x 10	15
SR-3260R	SR03260RM	32" D x 60" W (Retrofit right drain)	59	-	66 x 37 x 10	15

Kit Includes: One code approved compression molded Swanstone floor with molded-in Fit-Flo drain and complete installation instructions.
Packaging: Each floor packed in a rectangular carton.

STANDARDS AND RATINGS

- Class 1A fire rating
- American National Standard Institute—ANSI Z124.1.2–2005
- International Association of Plumbing and Mechanical Officials (IAPMO)—listed cUPC listed—Certified to CSA Standard B45 by IAPMO
- American Society for Testing and Materials
- National Electrical Manufacturers Association
- National Sanitation Foundation-NSF Splash Zone, -NSF Food Zone

For a complete list of tests and results see the Technical Data Sheet – page 131.

SUPPORT DOCUMENTS

Installation instructions available on line at www.swanstone.com

 **MADE IN USA.**

COLORS

(See inside back cover for color sample.)

- White (010)
- Bone (037)
- Bisque (018)
- Almond Galaxy (046)
- Arctic Granite (035)
- Barley (091)
- Bermuda Sand (040)
- Gray Granite (042)
- Green Pasture (095)
- Sierra (094)
- Tahiti Blue (056)
- Tahiti Desert (050)
- Tahiti Evergreen (057)
- Tahiti Gray (053)
- Tahiti Ivory (059)
- Tahiti Matrix (058)
- Tahiti Rose (052)
- Tahiti Sand (051)
- Tahiti Terra (055)
- Tahiti White (011)
- Cornflower (063)
- Ironweed (061)
- Night Sky (012)
- Purple Sage (064)
- Wild Indigo (022)
- Winter Wheat (060)
- Indian Grass (071)
- Pebble (072)
- Seafoam (074)
- Glacier (121)
- Prairie (122)
- Acorn (123)
- Canyon (124)
- Cloud White (125)
- Cloud Bone (126)
- Baby's Breath (168)
- Caraway Seed (169)

MAINTENANCE AND CLEANING INFORMATION

Everyday cleaning with liquid cleaners such as Dow or Lysol foaming bubbles, Top Job, Mr. Clean or similar type products with a sponge or Mr. Clean Magic Eraser. To remove hard water stains or mineral build-up, scale removers such as Lime Away, Rust-out or Whink are recommended. Abrasive cleaners are not recommended on shower bases because they are designed with high sheen areas to help prevent soap scum build up. Prolonged scrubbing will dull the surface over time and promote build-up and soap scum. **Do not** use "leave on" cleaning products such as the Automatic Shower Cleaner. Prolonged contact with harsh chemicals could have an adverse reactive over time and discolor your surfaces. **Do not** use cleaning agents that caution use on acrylic, polyester or plastics.