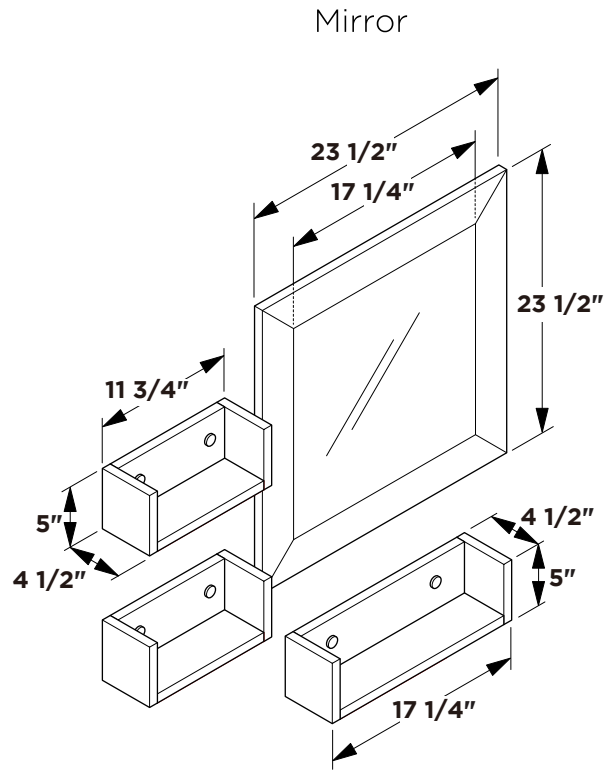
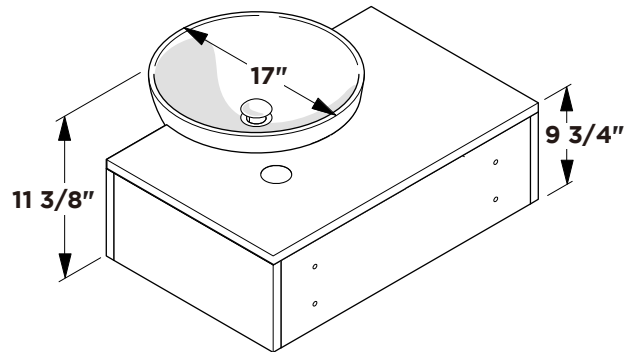
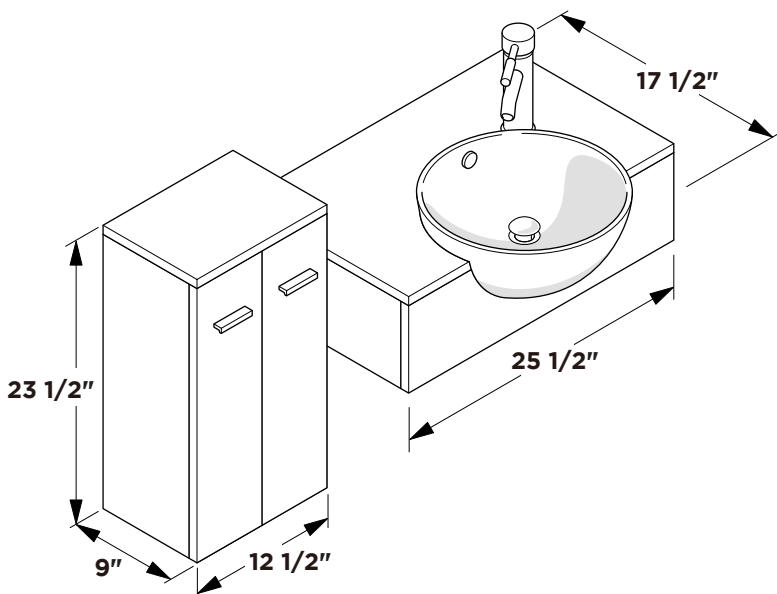


Vanity Front

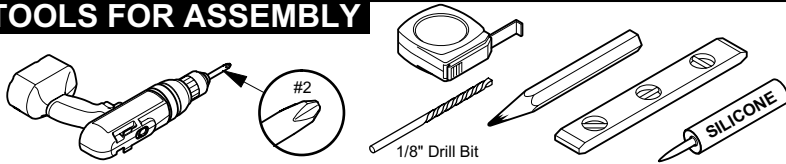


Vanity Back

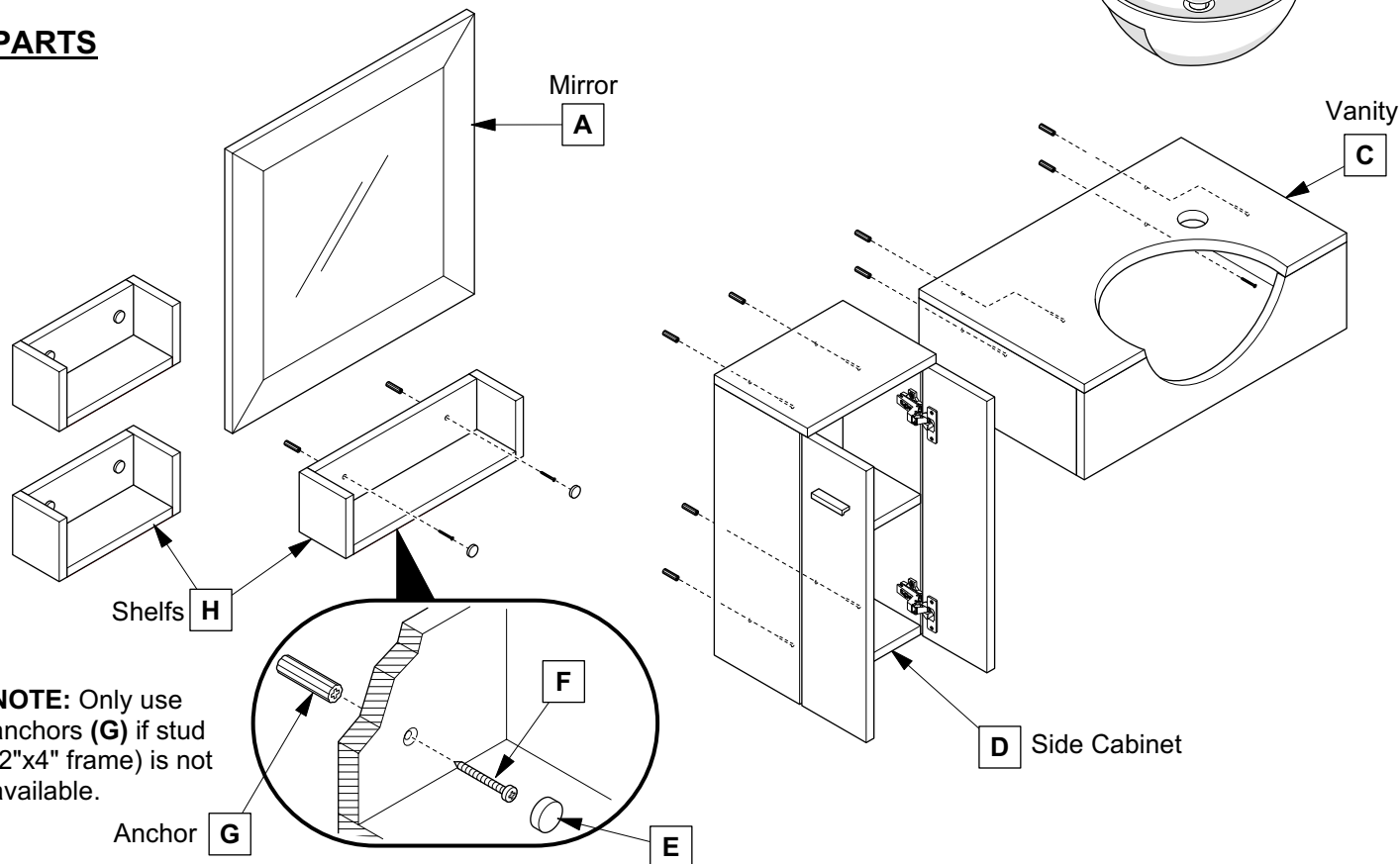


Note: All dimensions and specifications are approximate and subject to change without notice.

TOOLS FOR ASSEMBLY



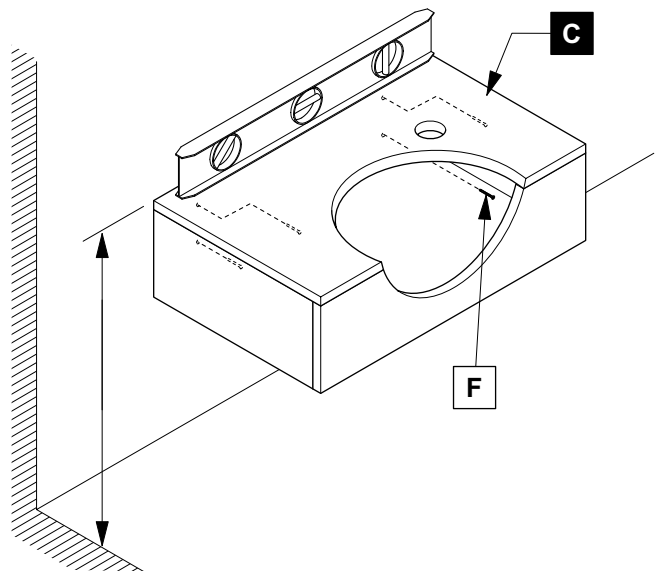
PARTS



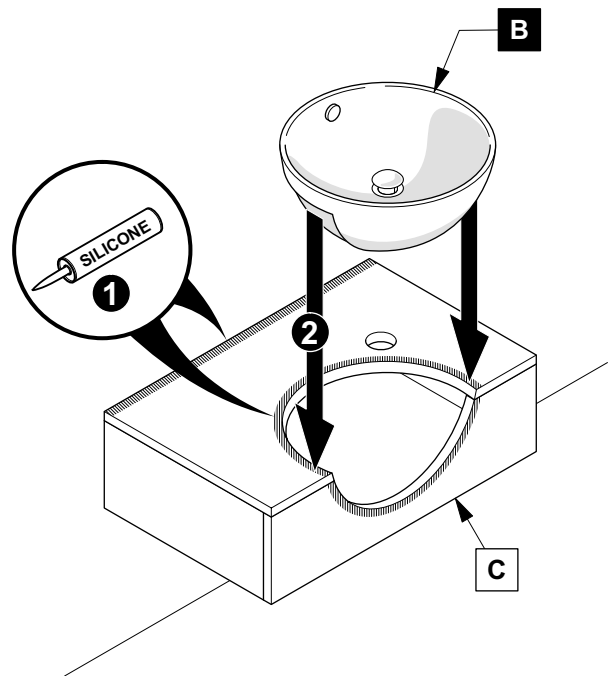
NOTE: Only use anchors (G) if stud (2"x4" frame) is not available.

1 Install vanity (C)

IMPORTANT: Consult an expert for the proper screws/bolts to use when attaching to various wall constructions. Screws provided do not attach to all wall construction types.

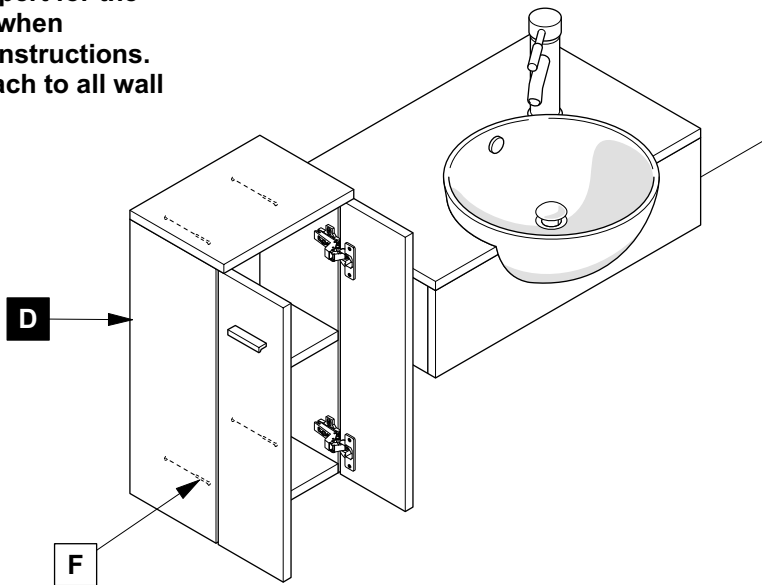


2 Install sink (B)

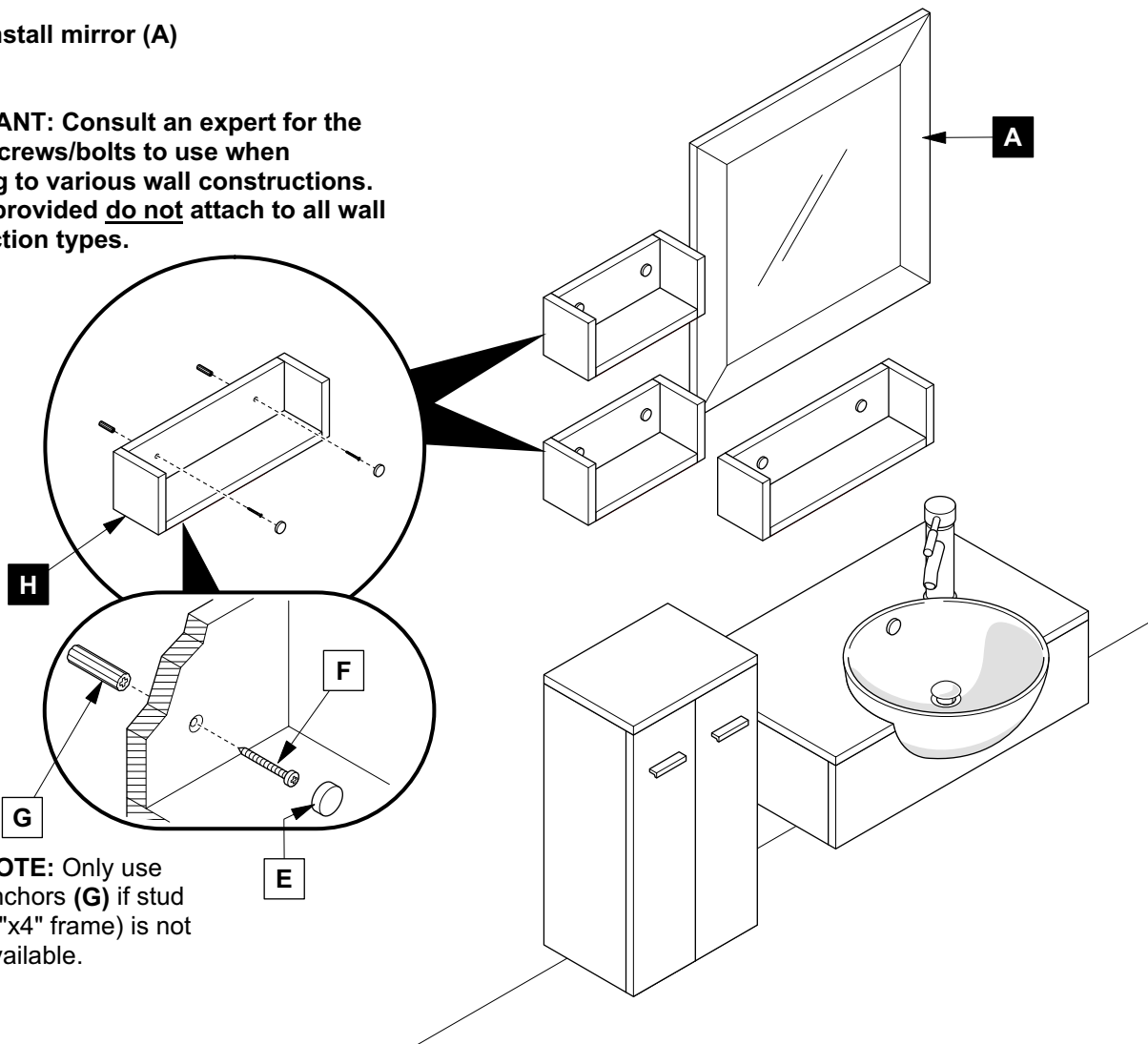


3**Install side cabinet (D)**

IMPORTANT: Consult an expert for the proper screws/bolts to use when attaching to various wall constructions. Screws provided do not attach to all wall construction types.

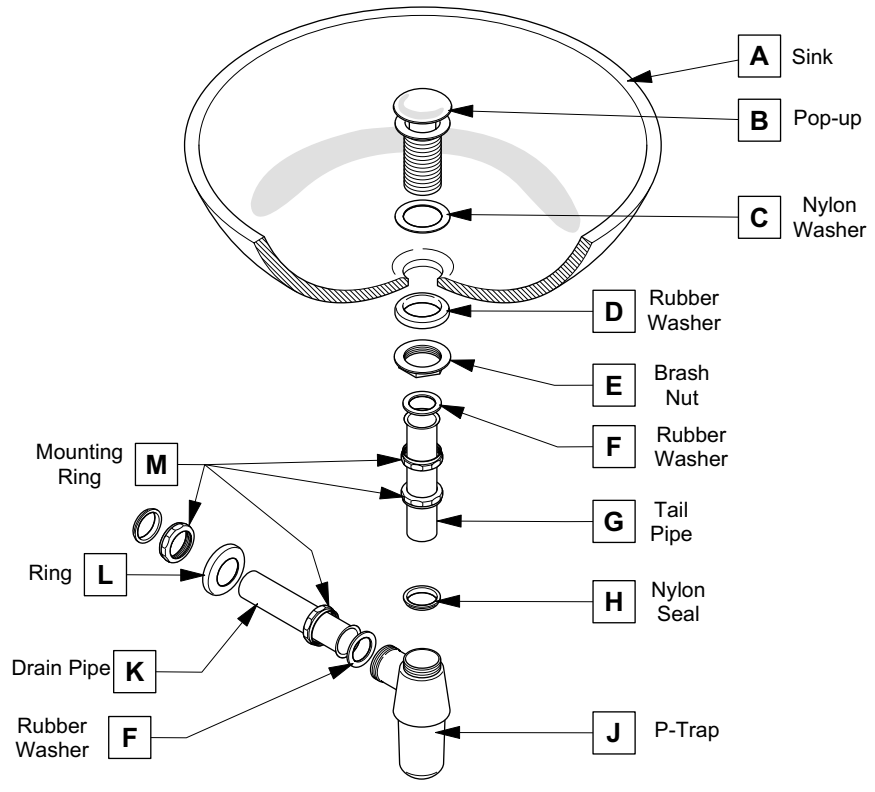
**4****Install shelves (H)****5****Install mirror (A)**

IMPORTANT: Consult an expert for the proper screws/bolts to use when attaching to various wall constructions. Screws provided do not attach to all wall construction types.



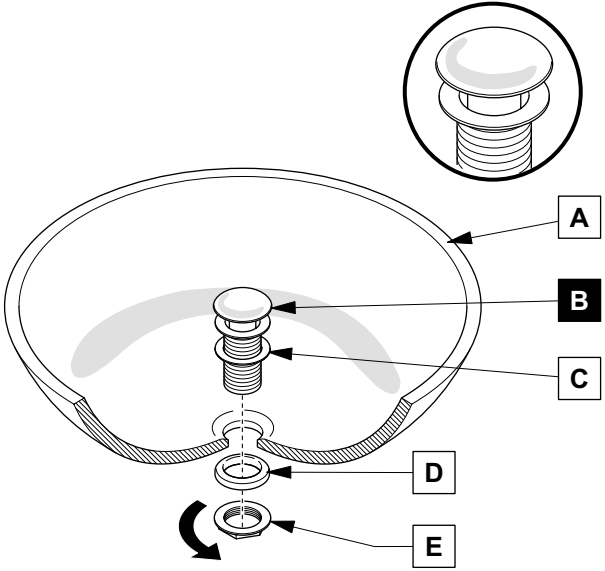
NOTE: Only use anchors (G) if stud (2"x4" frame) is not available.

P-TRAP AND POP-UP INSTALLATION INSTRUCTIONS



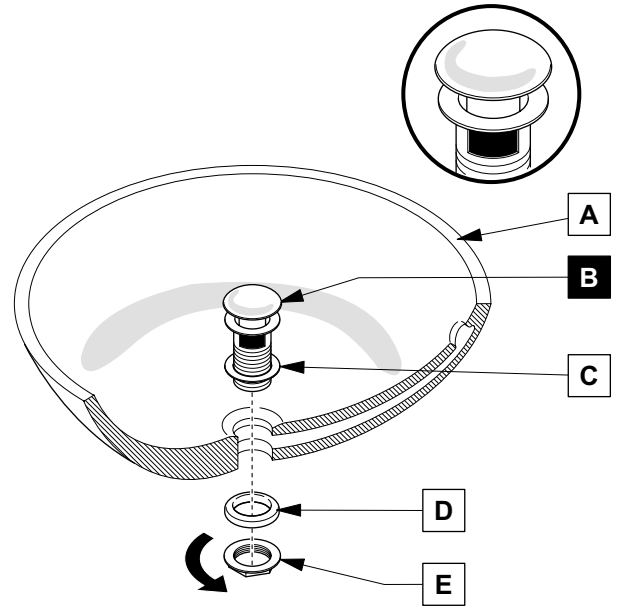
POP-UP INSTALLATION

FOR SINKS WITHOUT OVERFLOW



OR

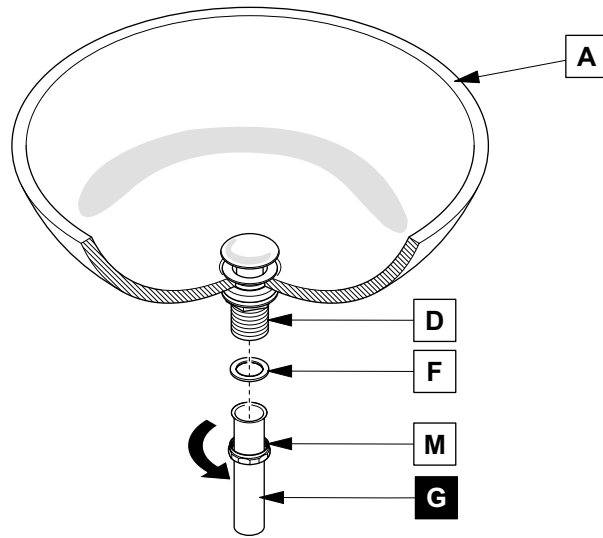
FOR SINKS WITH OVERFLOW



P-TRAP INSTALLATION

1

Install tail pipe (G)



2

Install p-trap (J)

