

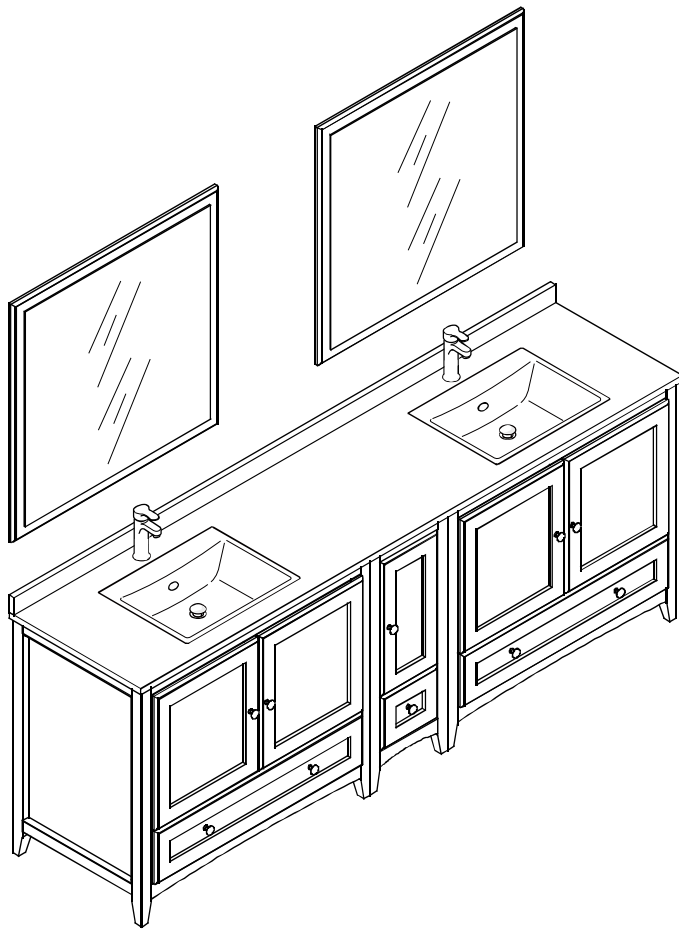
FVN20-361236

OXFORD

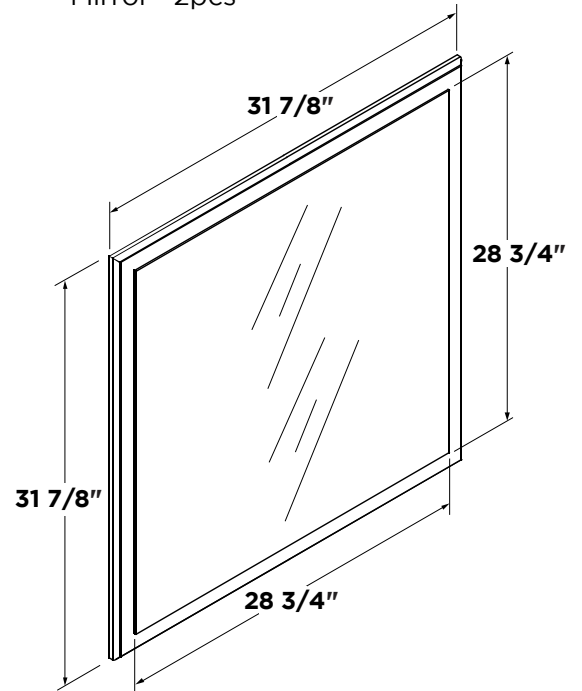
INSTALLATION GUIDE



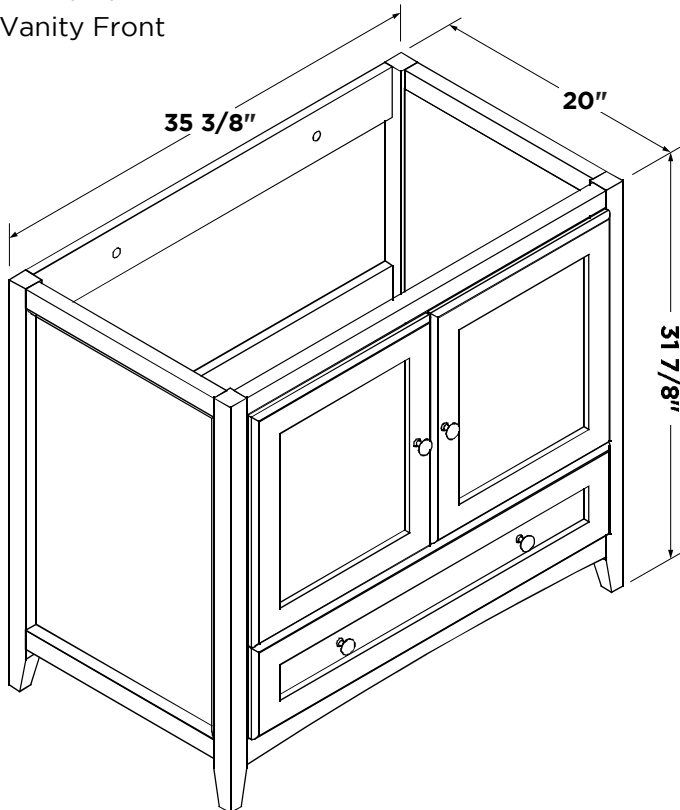
FRESCA



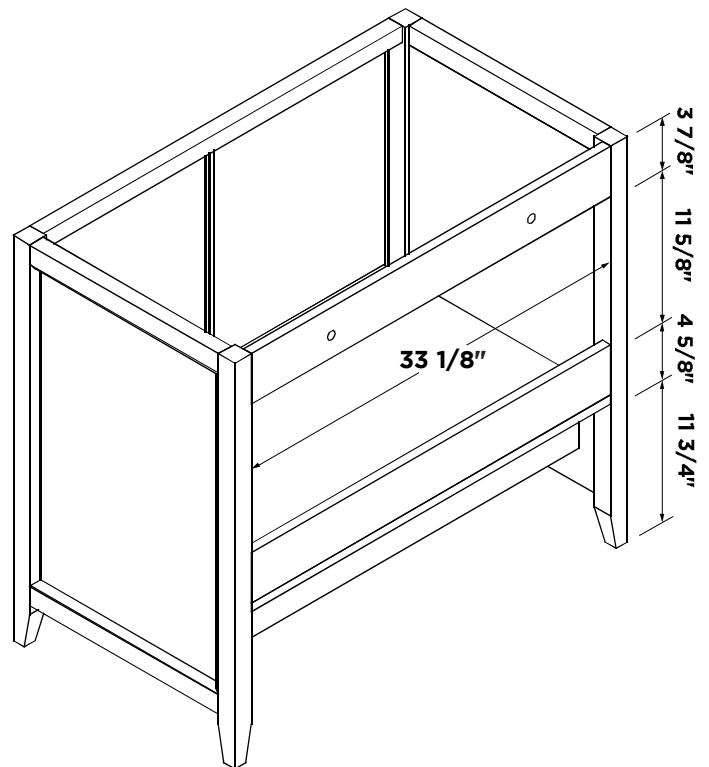
Mirror 2pcs



Vanity 2pcs
Vanity Front



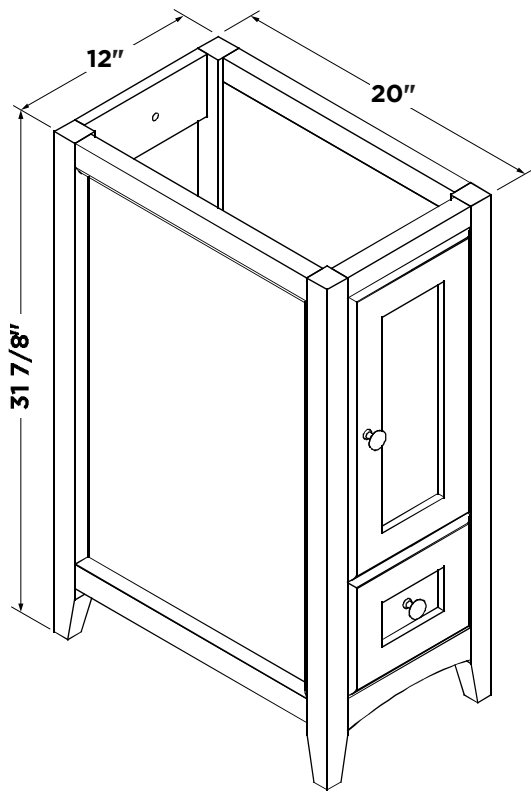
Vanity Back



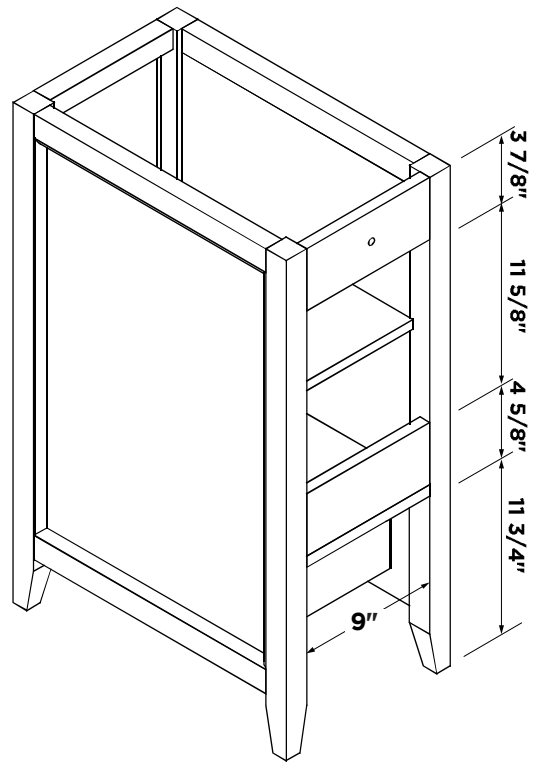
OXFORD INSTALLATION GUIDE

PAGE 1

Side Cabinet

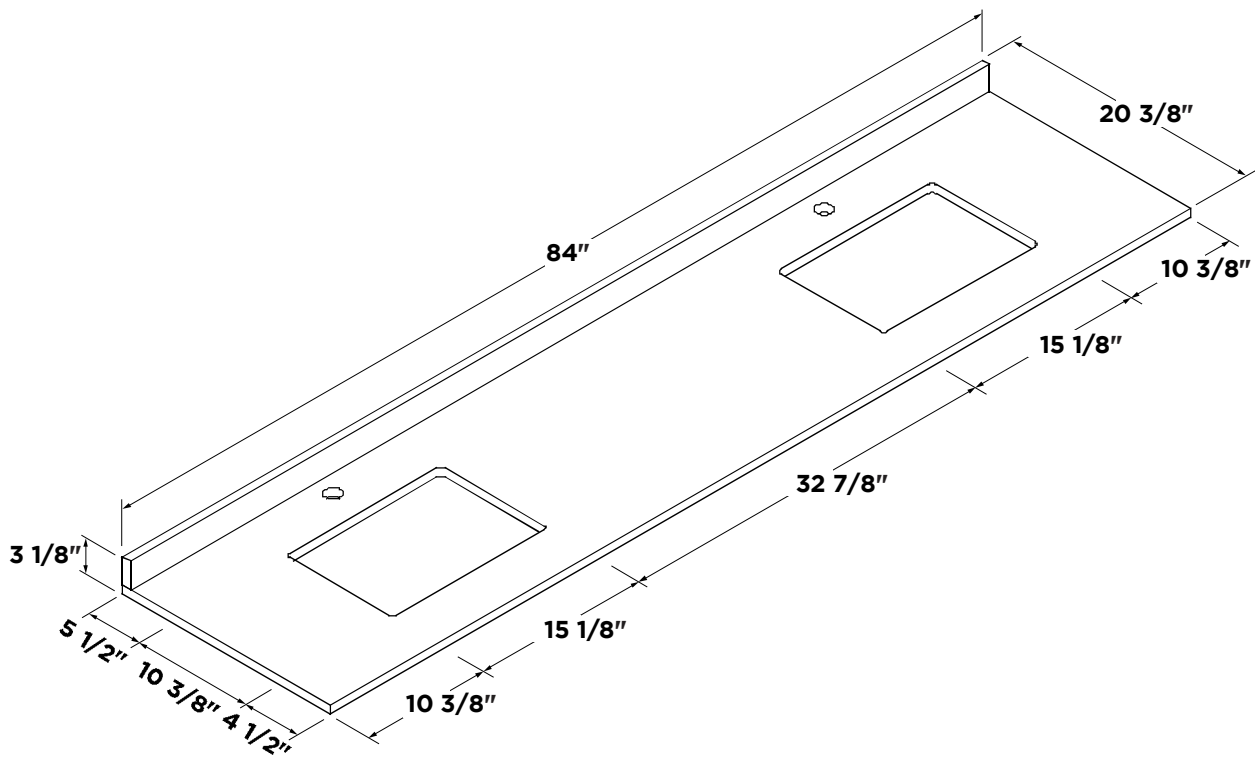


Side Cabinet Front



Side Cabinet Back

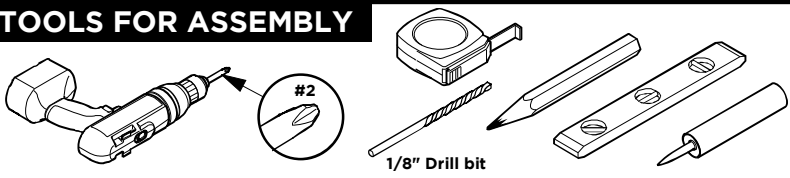
Counter Top



Note: All dimensions and specifications are approximate and subject to change without notice.

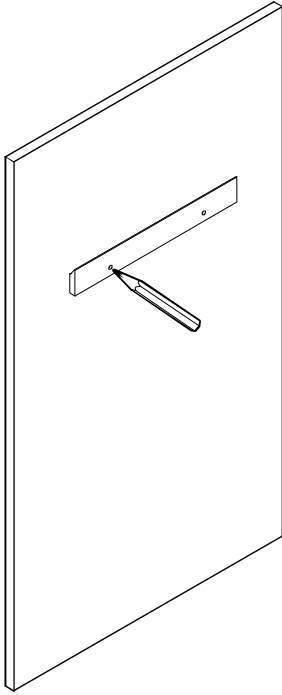


TOOLS FOR ASSEMBLY

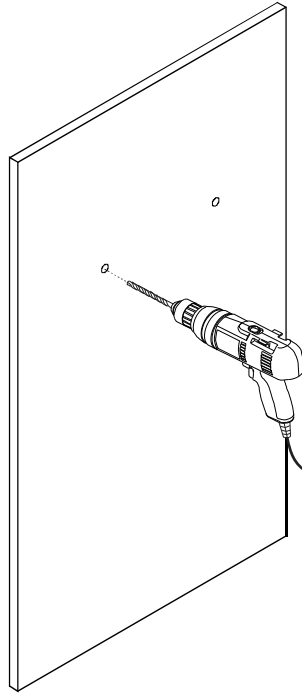


MIRROR INSTALLATION

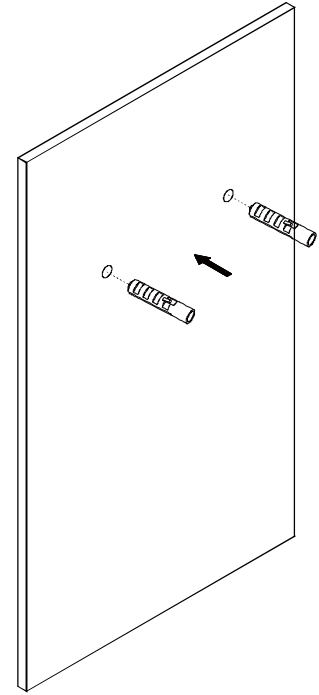
- 1** Level the mirror bracket and then mark the installation position



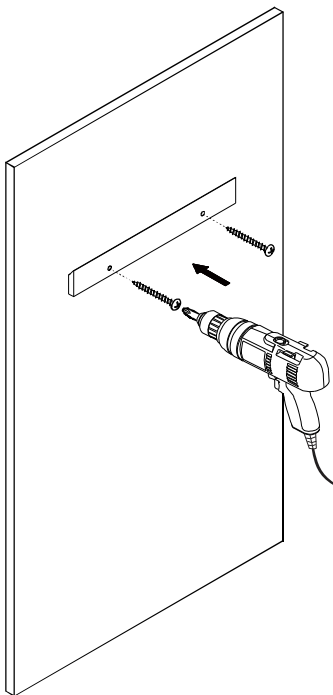
- 2** Drill the installation holes



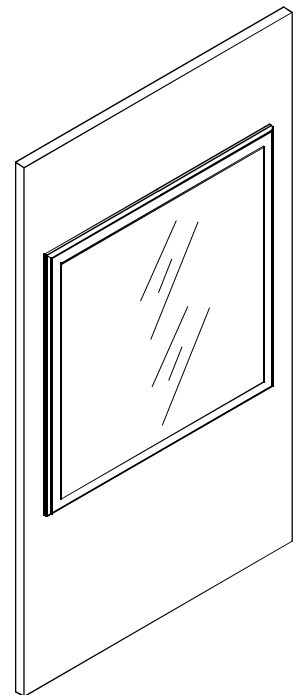
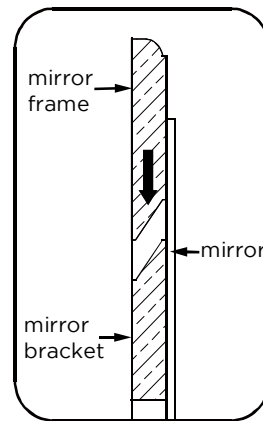
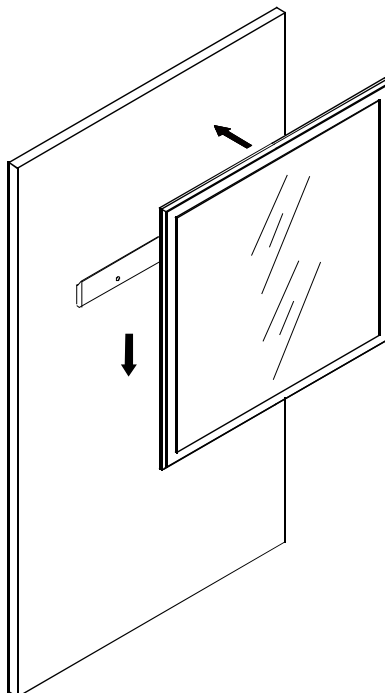
- 3** Insert the plastic plug



- 4** Fix the mirror bracket

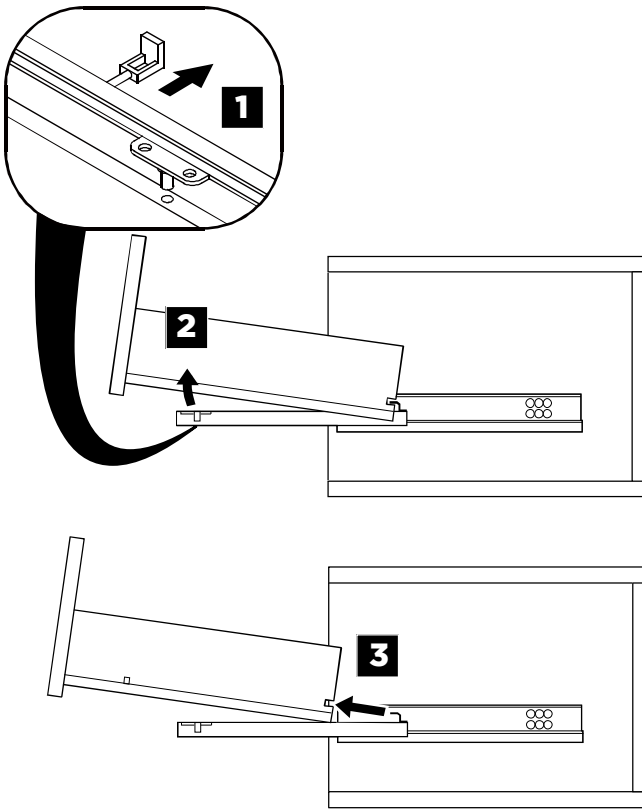


- 5** Hang up the mirror

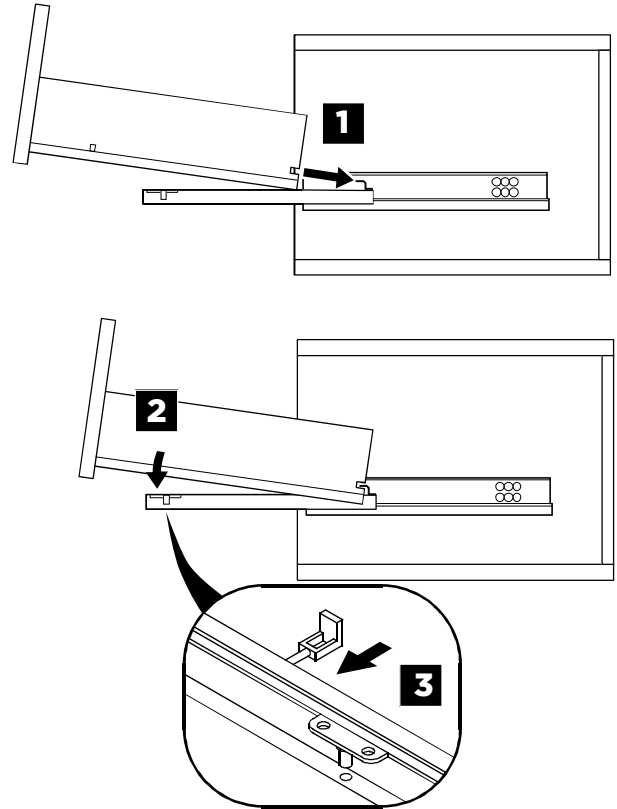


DRAWER REMOVAL & INSTALLATION

REMOVAL



INSTALLATION

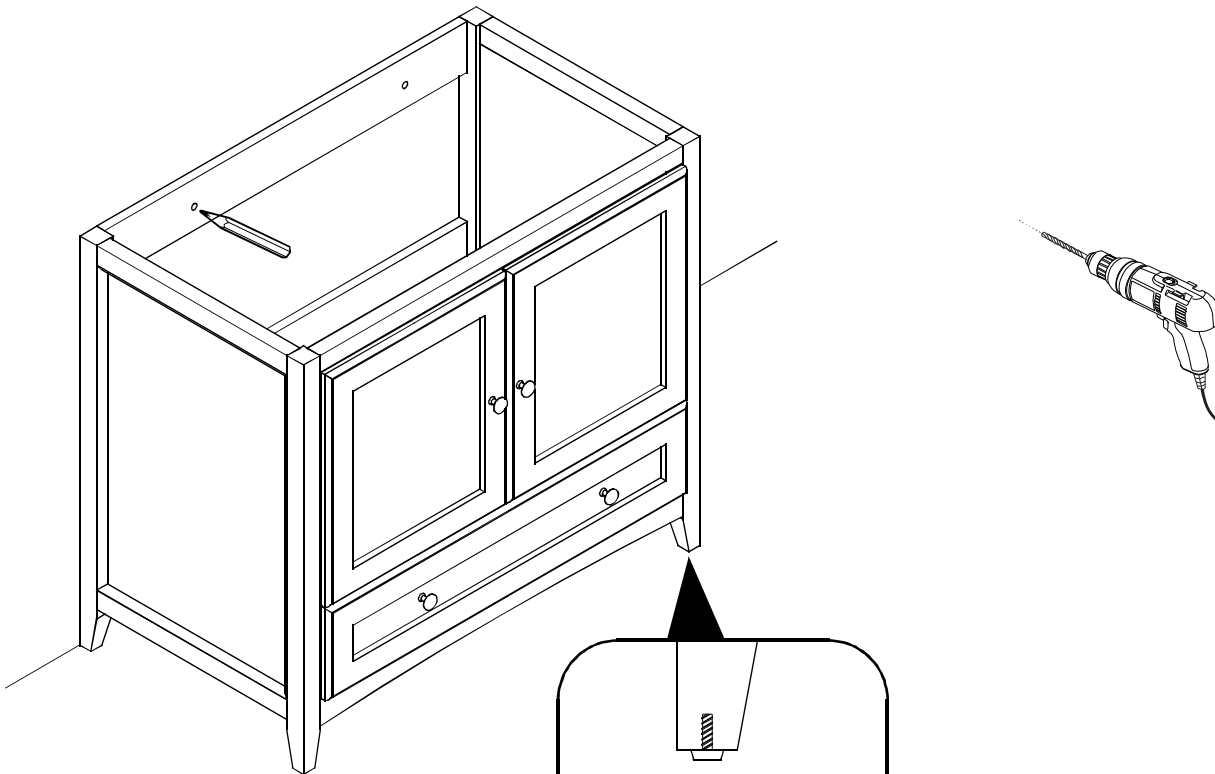


1

Level the cabinet and mark the installation position

2

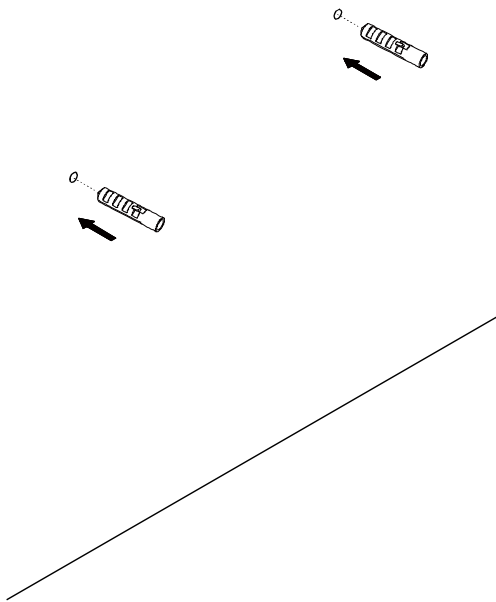
Drill the installing holes



OPTIONAL STEP

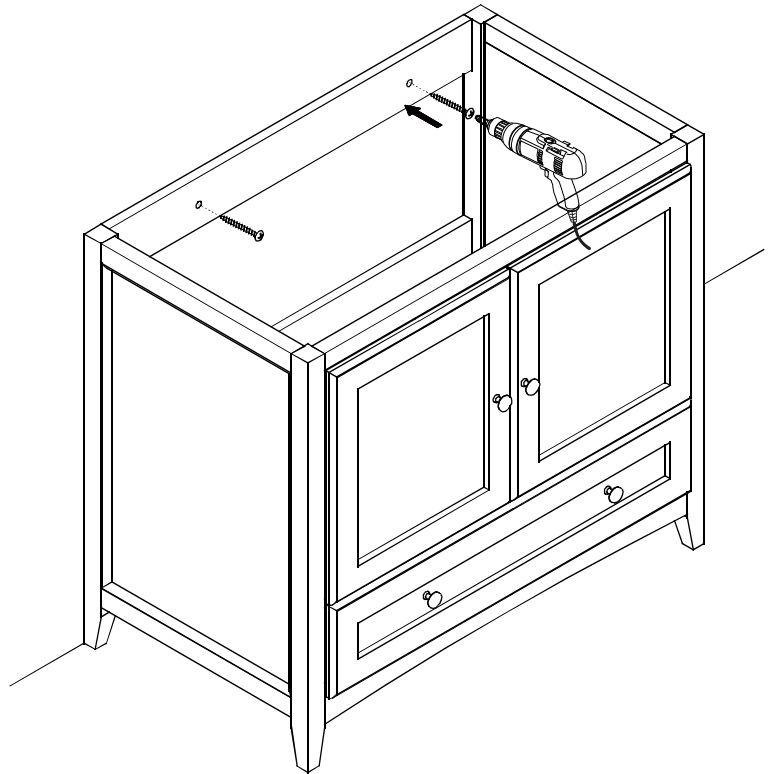


3 Insert the expansible plastic plugs

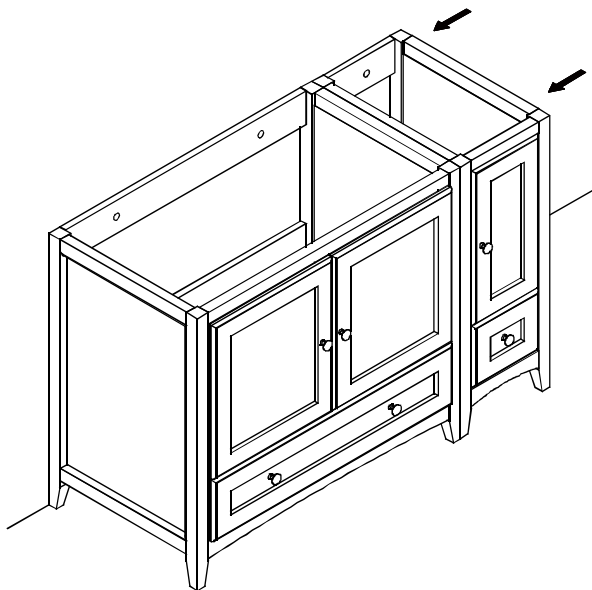


4 Install cabinet

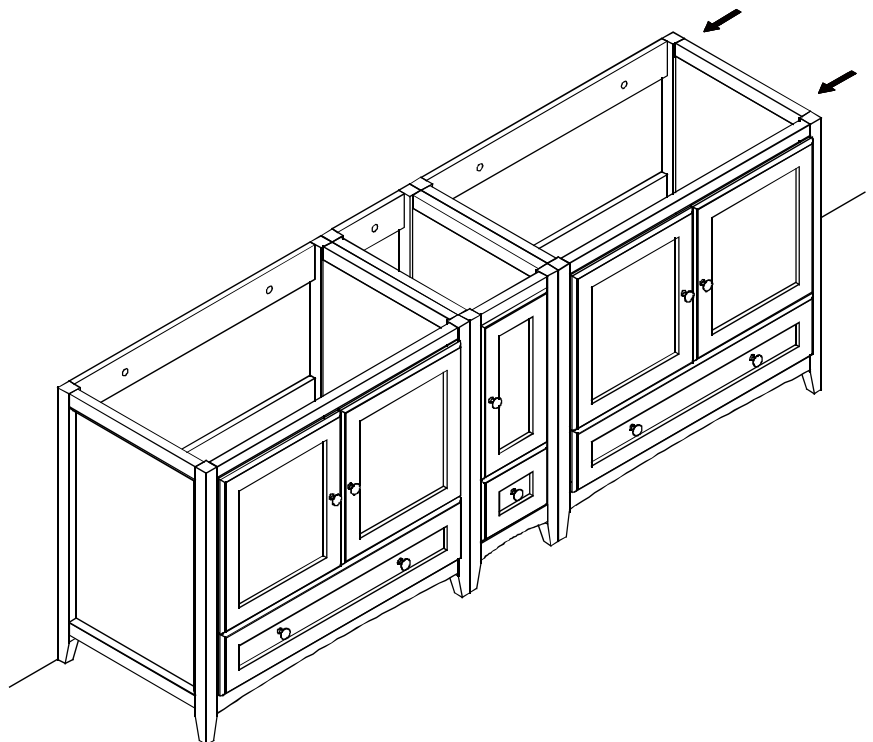
IMPORTANT: Consult an expert for the proper screws/bolts to use when attaching to various wall constructions. Screws provided do not attach to all wall construction types.



5 Align and level the side cabinet as illustrated shown, then install side cabinet according to master cabinet installation procedure.



6 Align and level the rest master cabinet as illustrated shown, then repeat the master cabinet installation procedure.

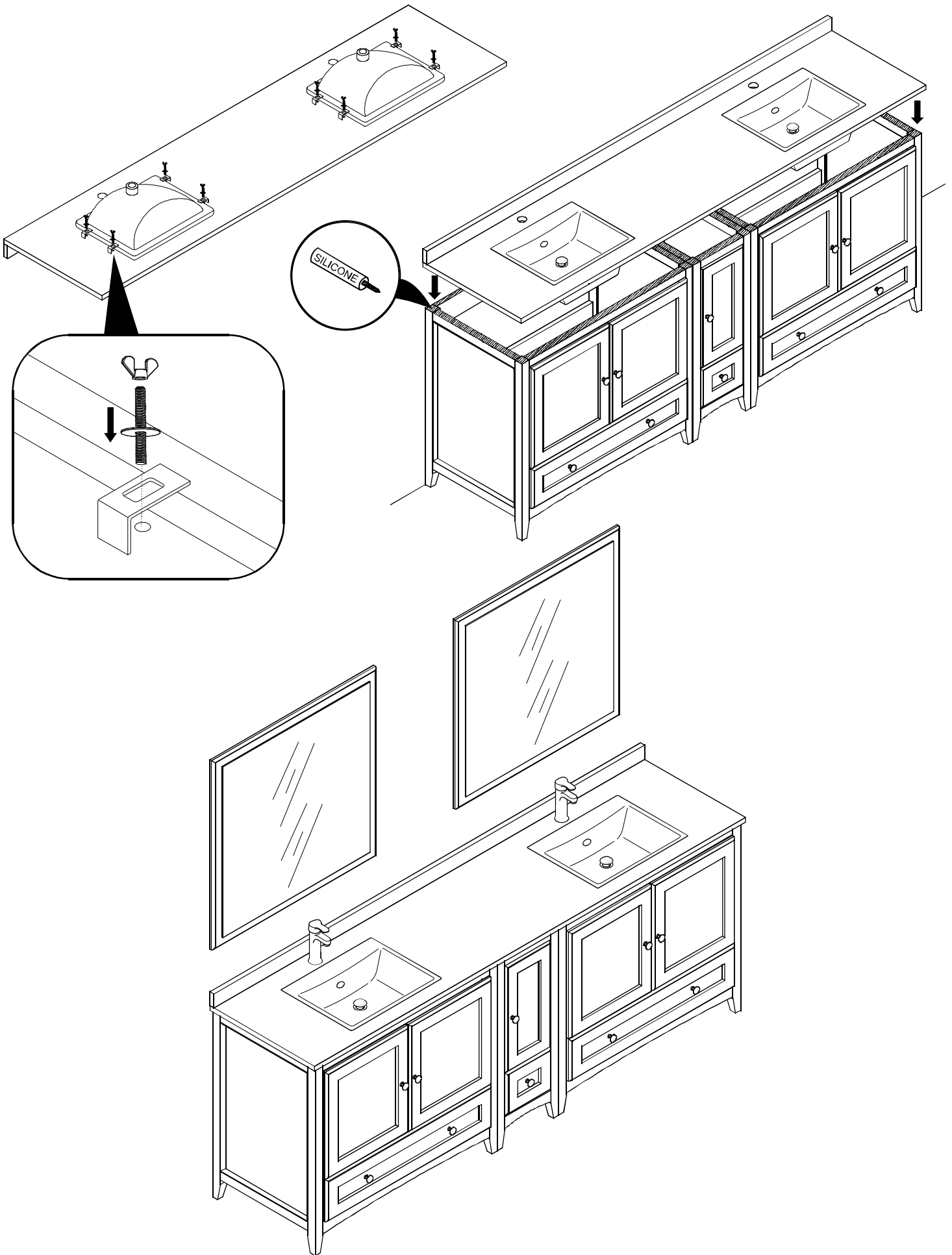


7

Install sink

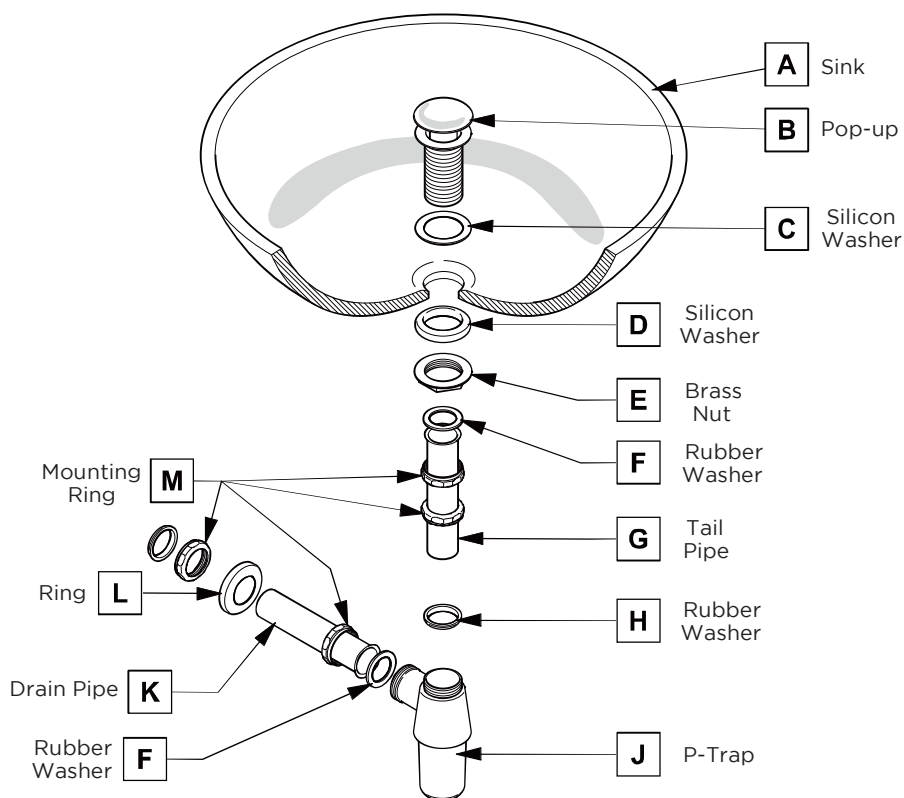
8

Install counter top



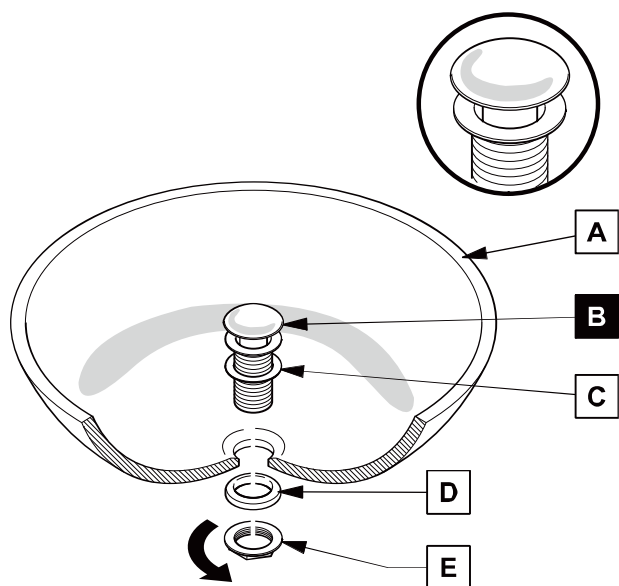
P-TRAP AND POP-UP INSTALLATION INSTRUCTIONS

Your item may appear slightly different from the illustration



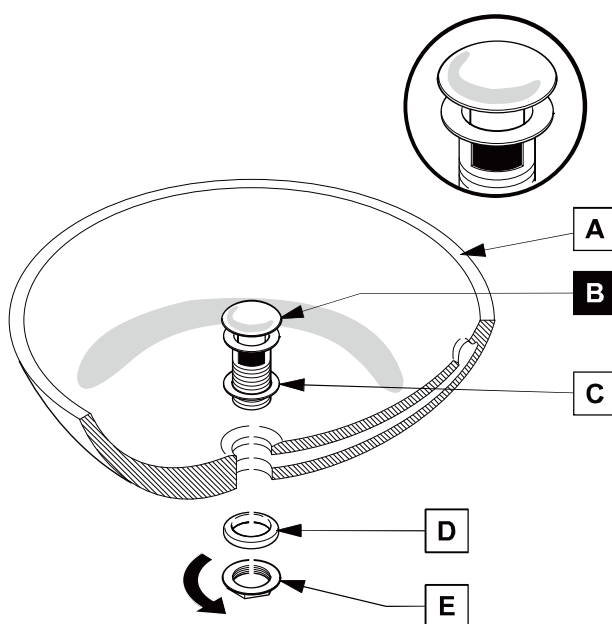
POP-UP INSTALLATION

FOR SINKS WITHOUT OVERFLOW



OR

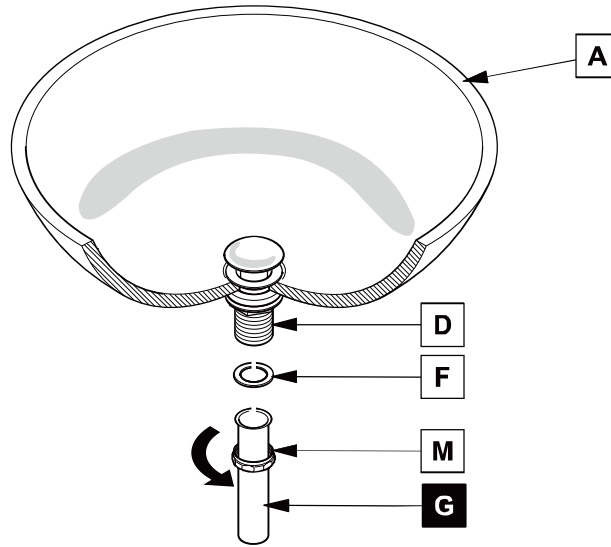
FOR SINKS WITH OVERFLOW



P-TRAP INSTALLATION

1

Install tail pipe (G)



2

Install p-trap (J)

