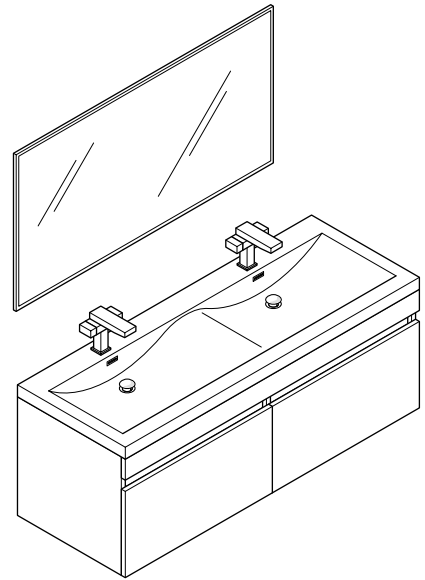
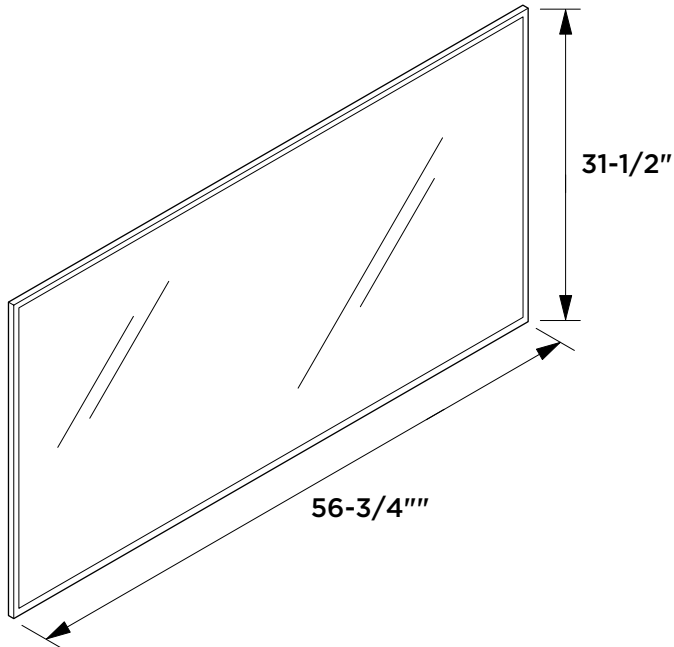
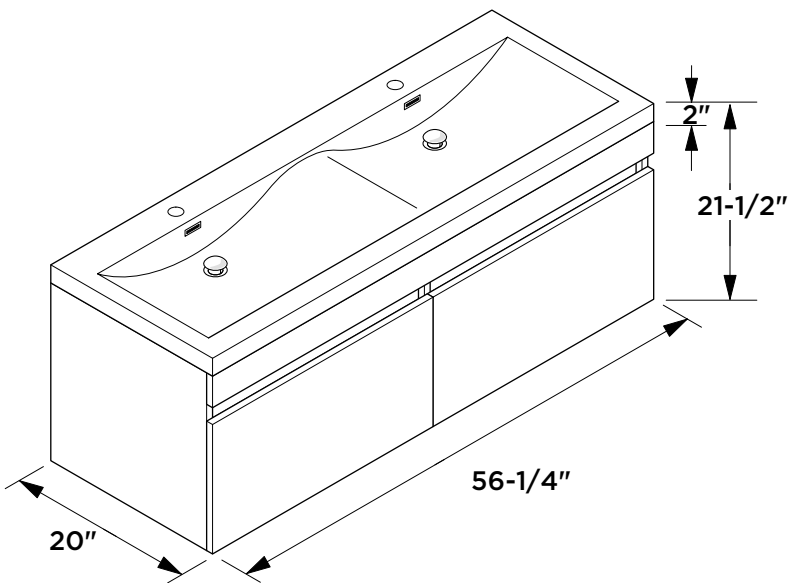


Medicine Cabinet

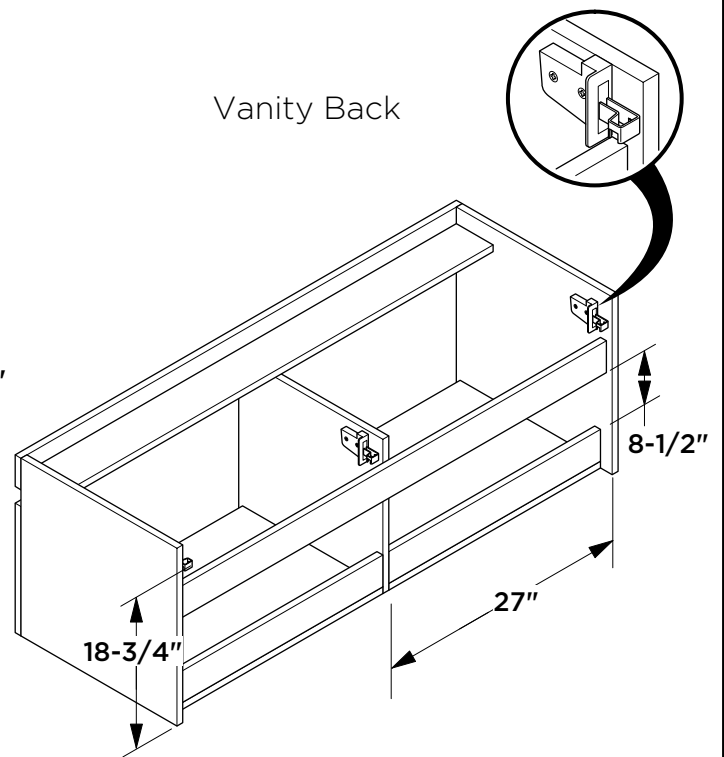


FVN8040

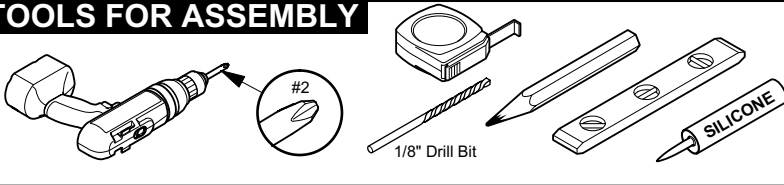
Vanity Front



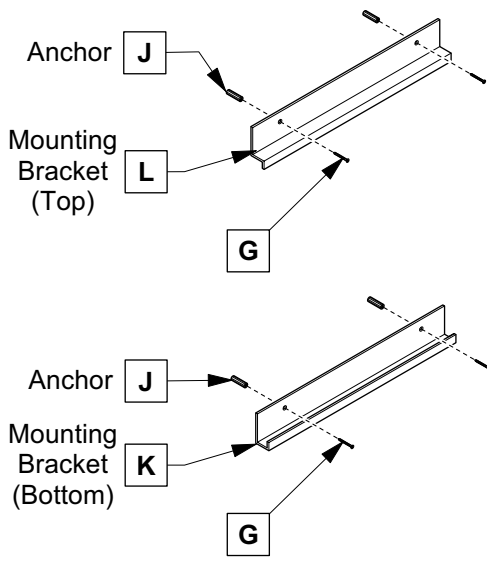
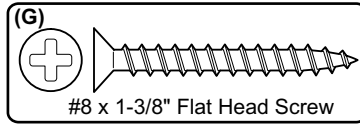
Vanity Back



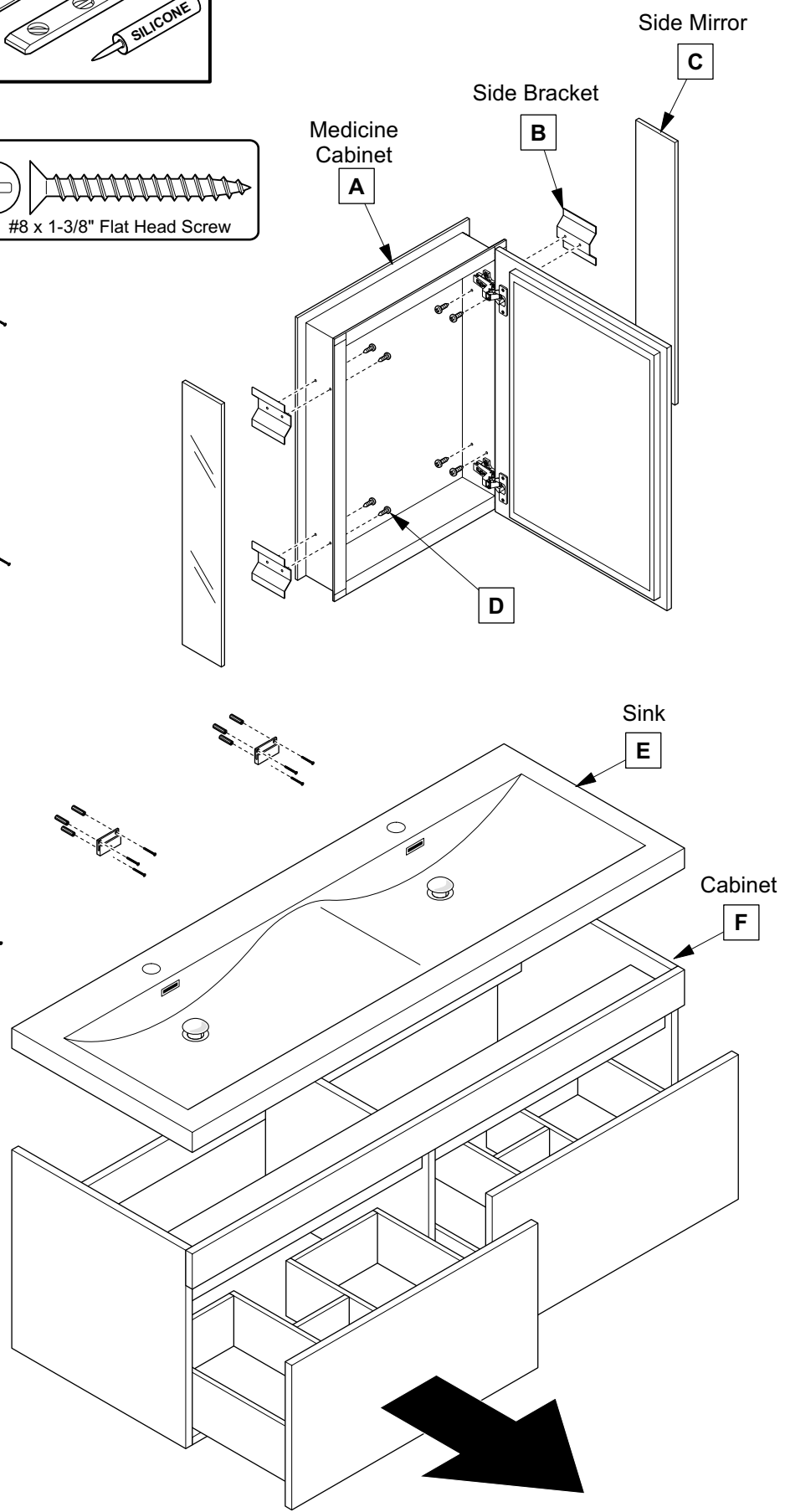
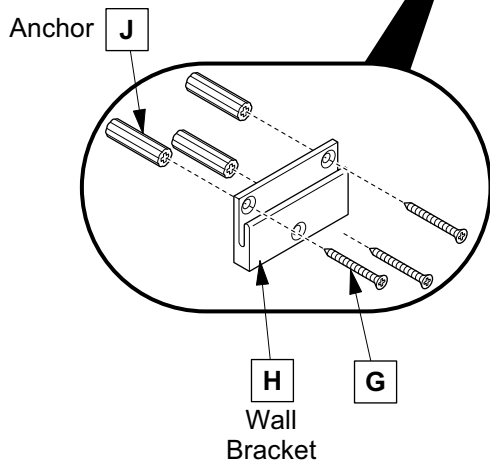
TOOLS FOR ASSEMBLY



PARTS

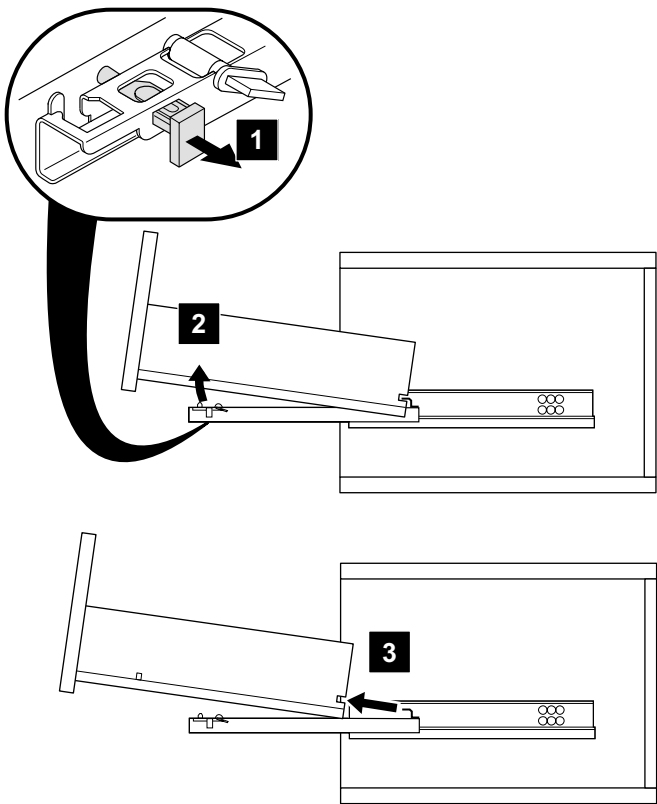


NOTE: Only use anchors (J) if stud (2"x4" frame) is not available.

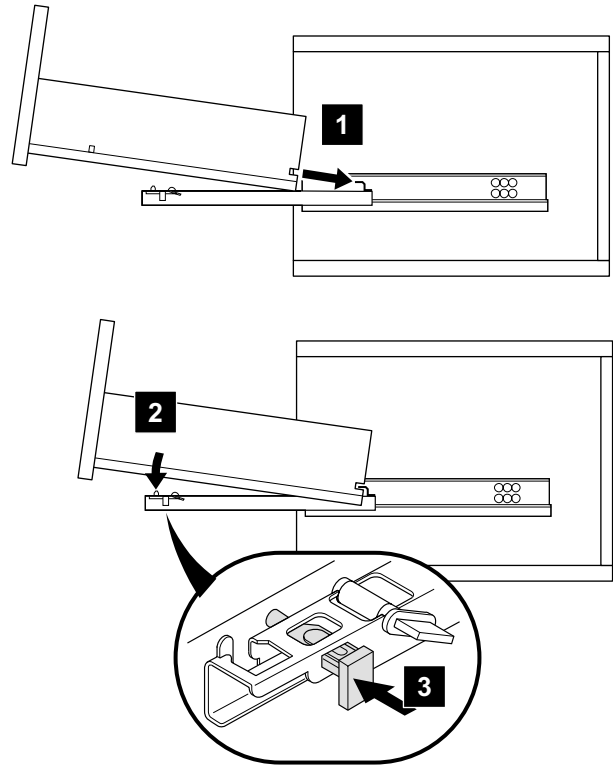


DRAWER REMOVAL & INSTALLATION

REMOVAL



INSTALLATION

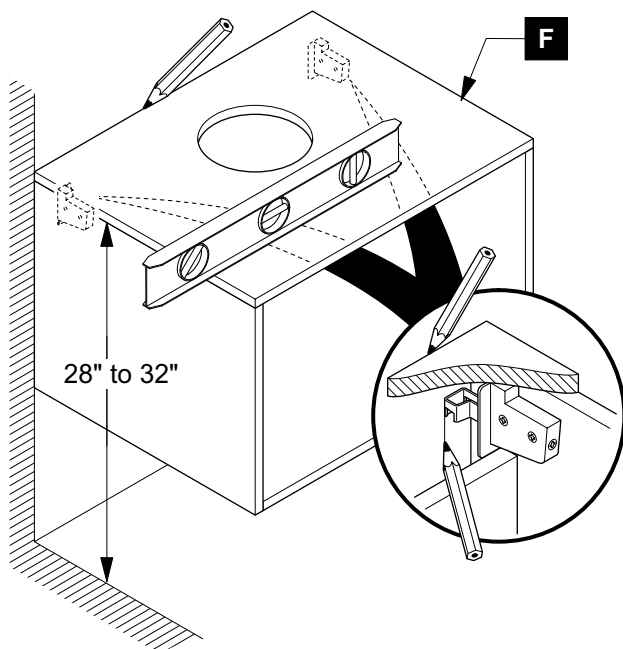
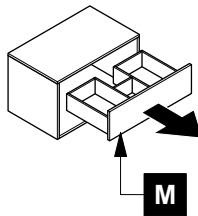


1

Remove drawer (M)

2

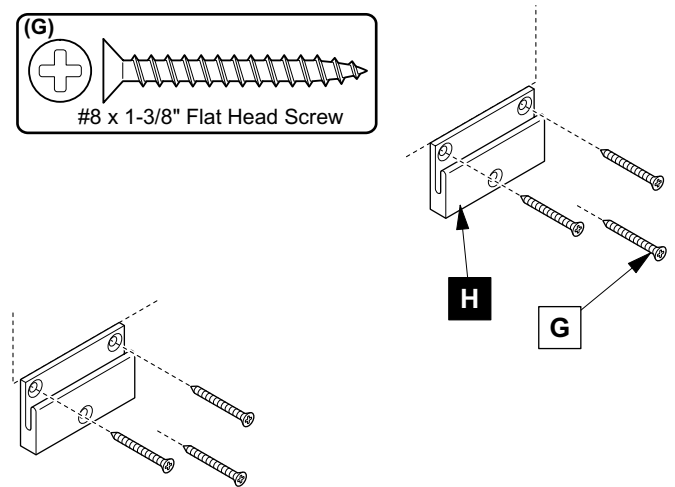
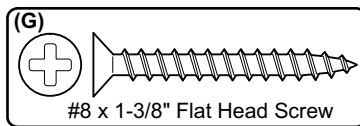
Locate cabinet (F) & mark location



3

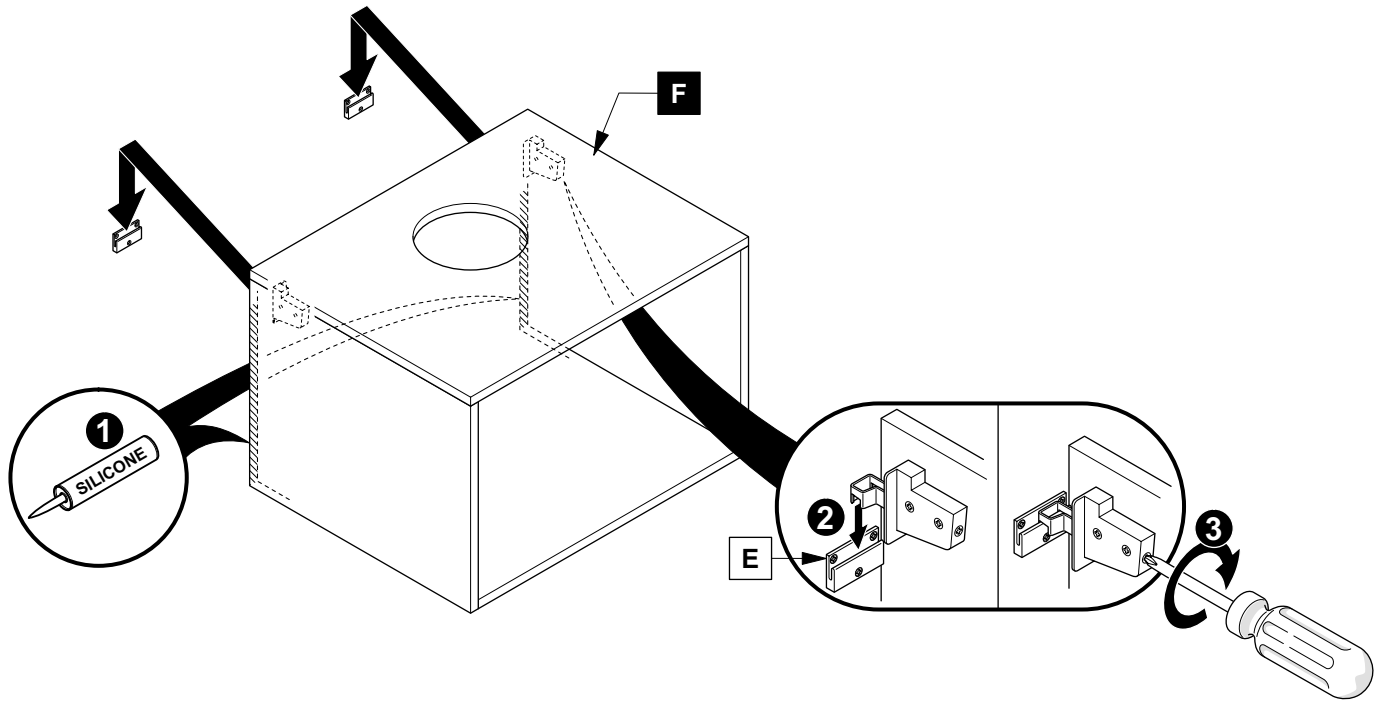
Install wall brackets (H)

IMPORTANT: Consult an expert for the proper screws/bolts to use when attaching to various wall constructions. Screws provided do not attach to all wall construction types.



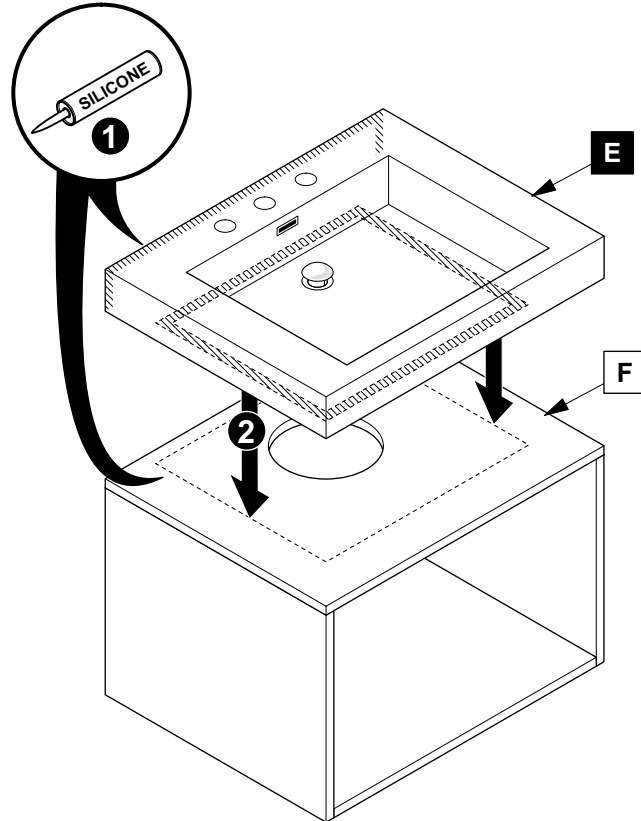
4

Apply silicone and install cabinet (F)



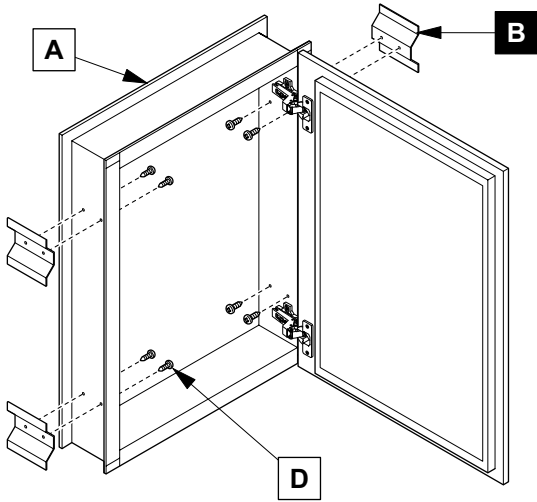
5

Apply silicone and install sink (E)

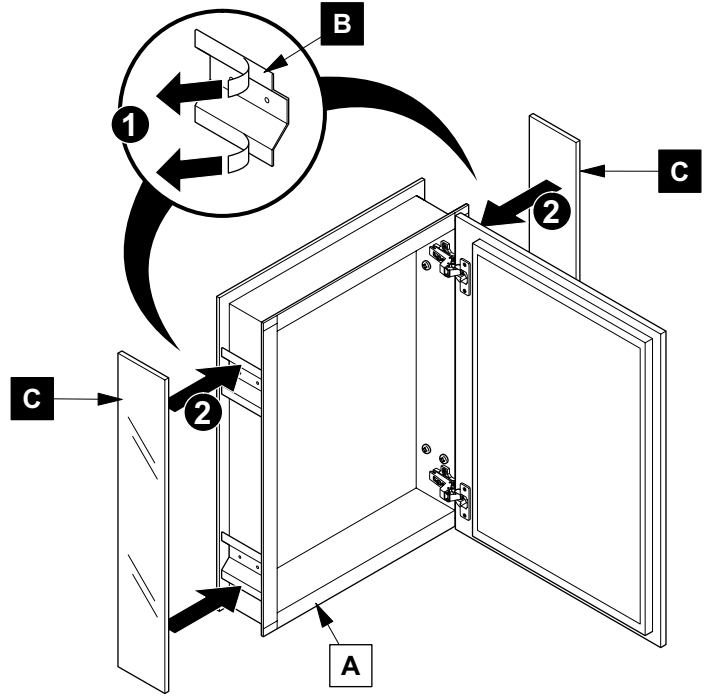


MEDICINE CABINET INSTALLATION

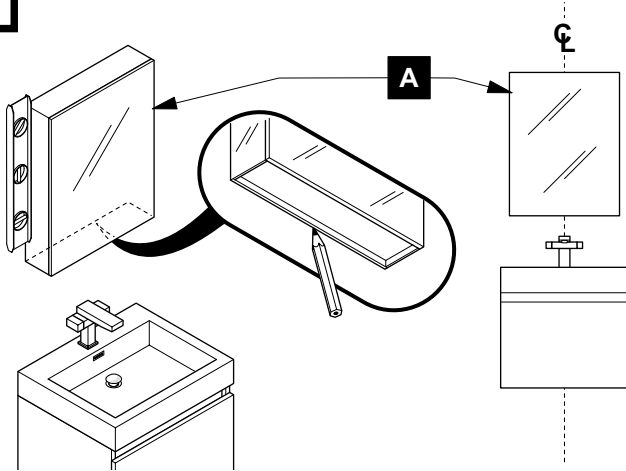
1 Install side brackets (B)



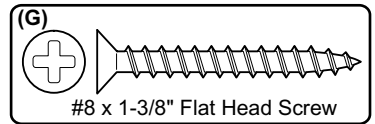
2 Install side mirrors (C)



3 Mark cabinet (A) location



5 Install cabinet (A)



4 Install bottom bracket (K)

IMPORTANT: Consult an expert for the proper screws/bolts to use when attaching to various wall constructions. Screws provided **do not** attach to all wall construction types.

