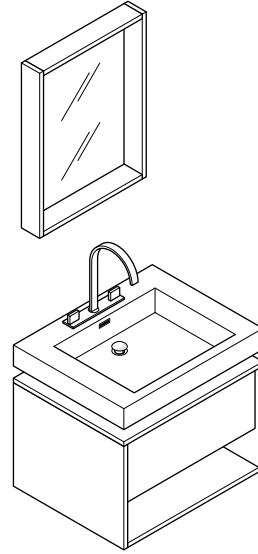
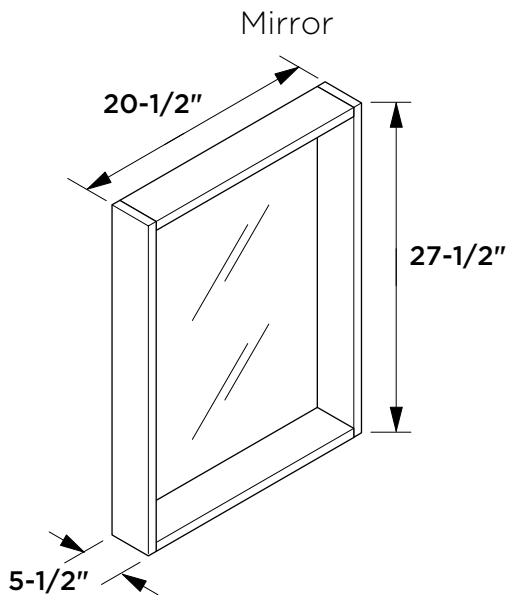


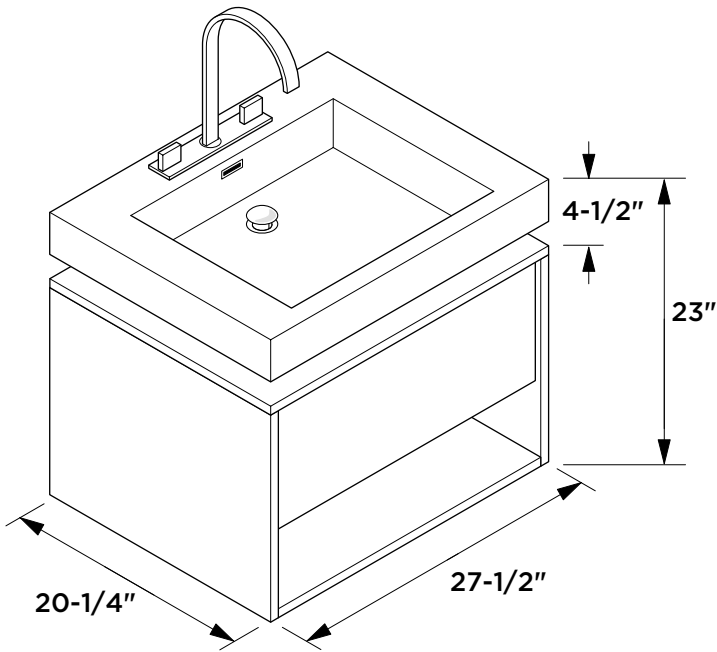


FVN8070
POTENZA
INSTALLATION GUIDE

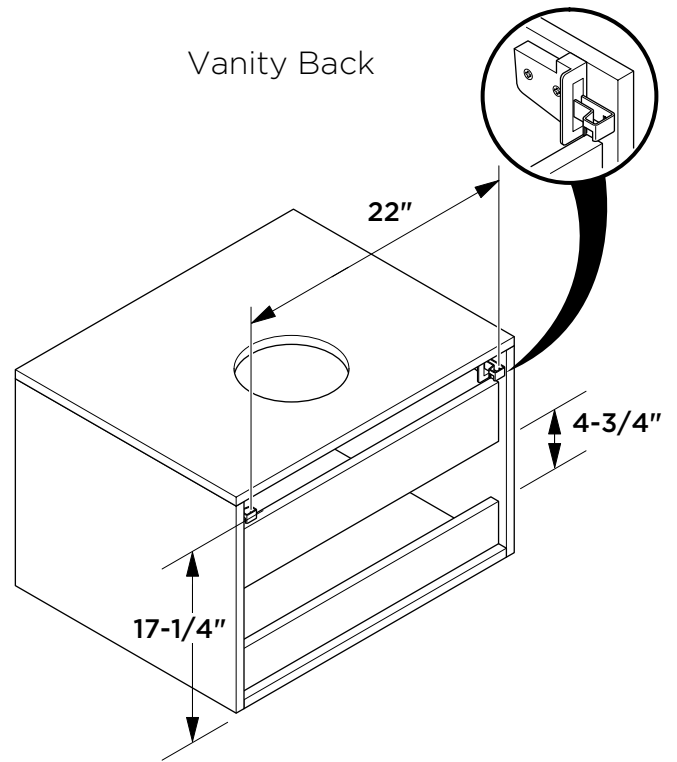


FVN8070

Vanity Front



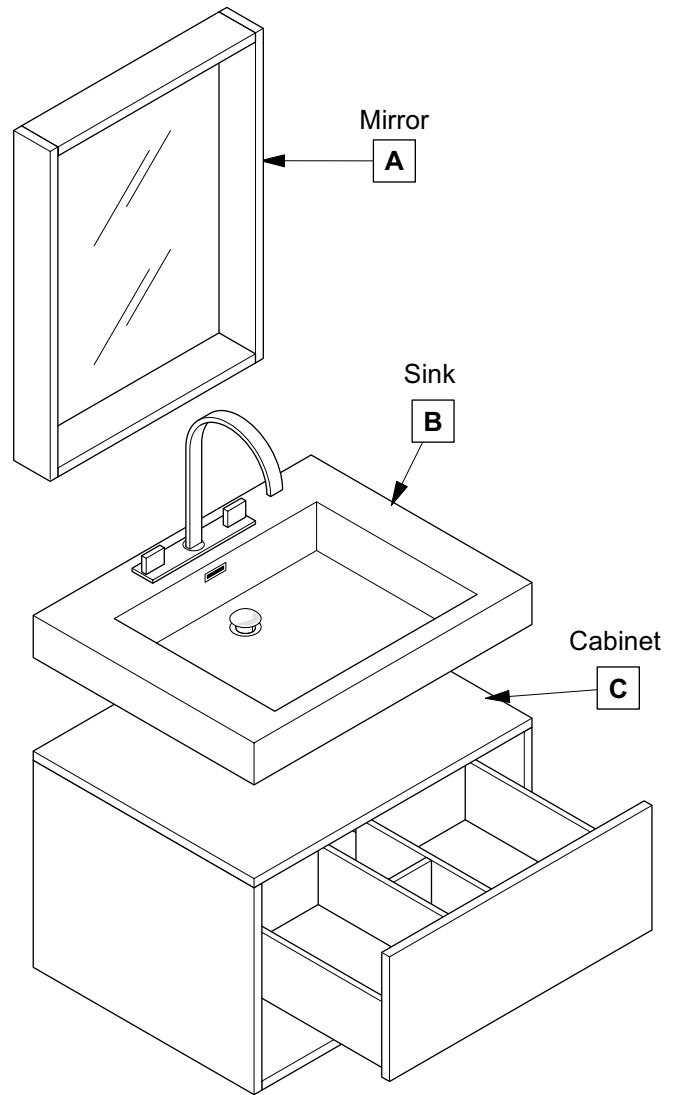
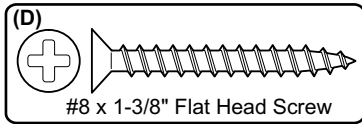
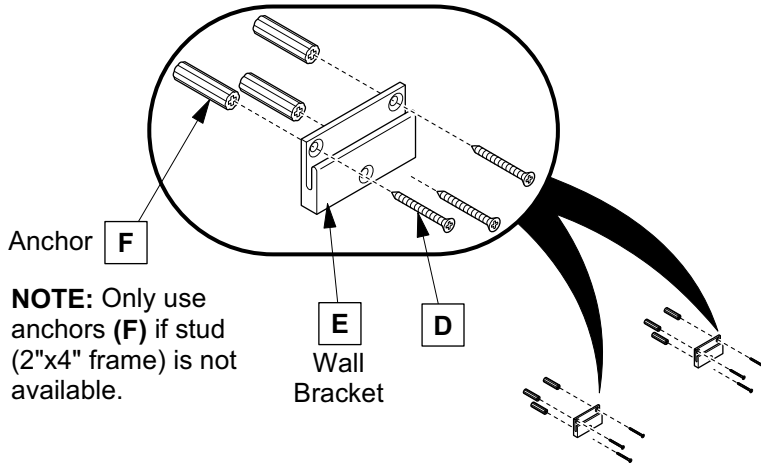
Vanity Back



TOOLS FOR ASSEMBLY

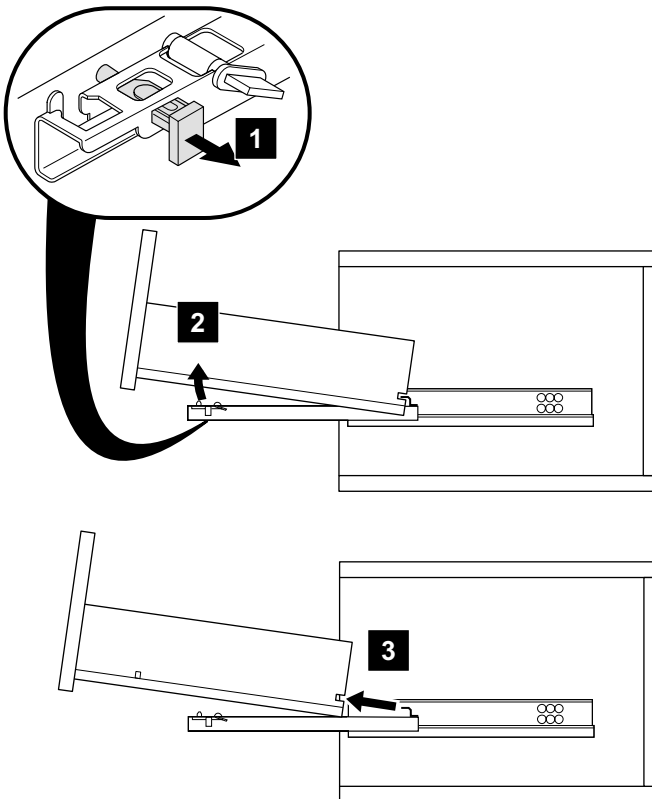


PARTS

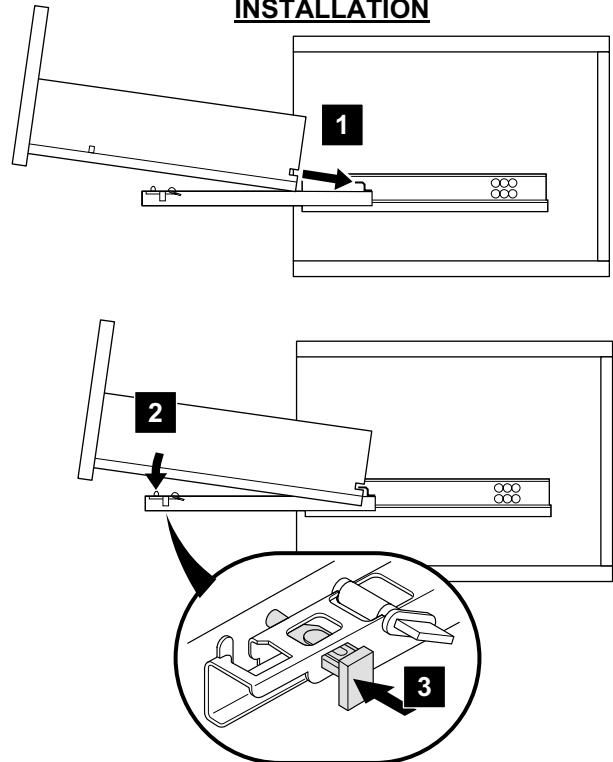


DRAWER REMOVAL & INSTALLATION

REMOVAL

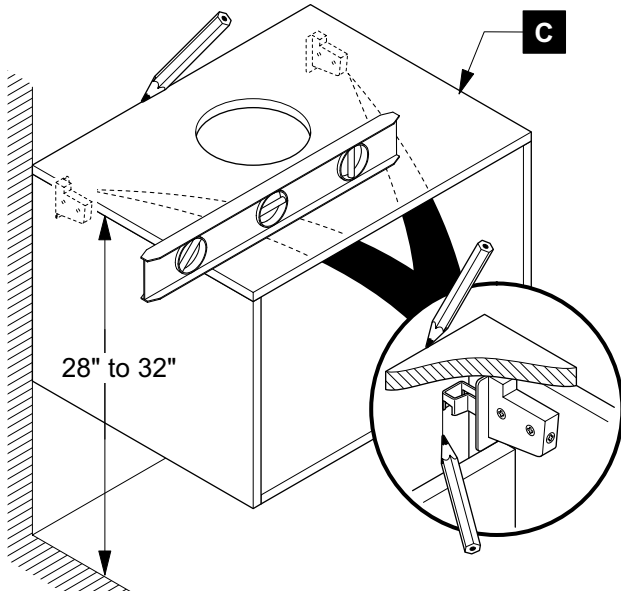
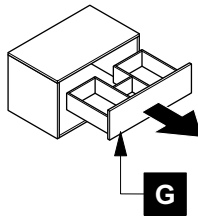


INSTALLATION



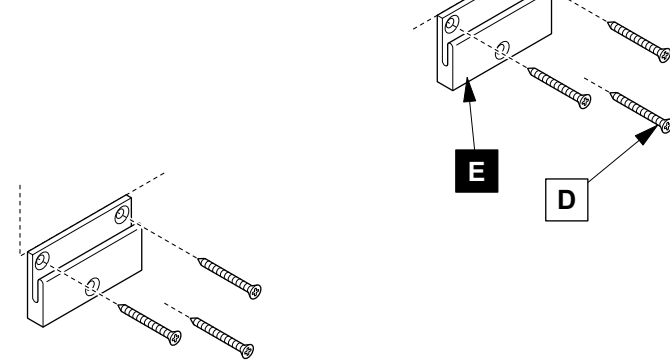
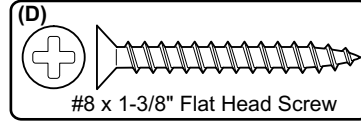
1 Remove drawer (G)

2 Locate cabinet (C) & mark location

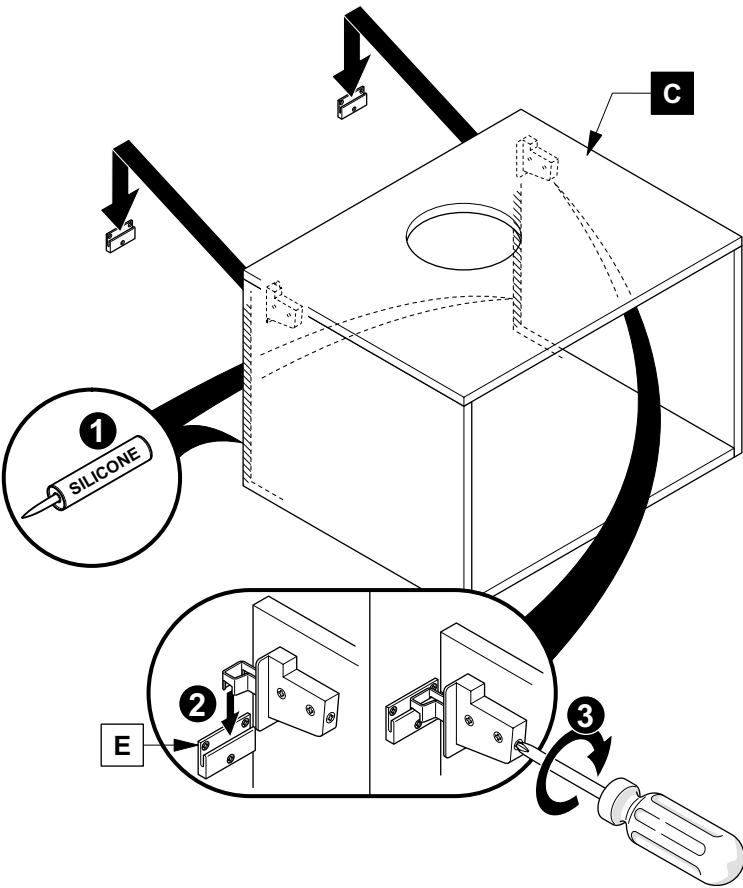


3 Install wall brackets (E)

IMPORTANT: Consult an expert for the proper screws/bolts to use when attaching to various wall constructions. Screws provided do not attach to all wall construction types.



4 Apply silicone and install cabinet (C)



5 Apply silicone and install sink (B)

6 Install mirror (A)

