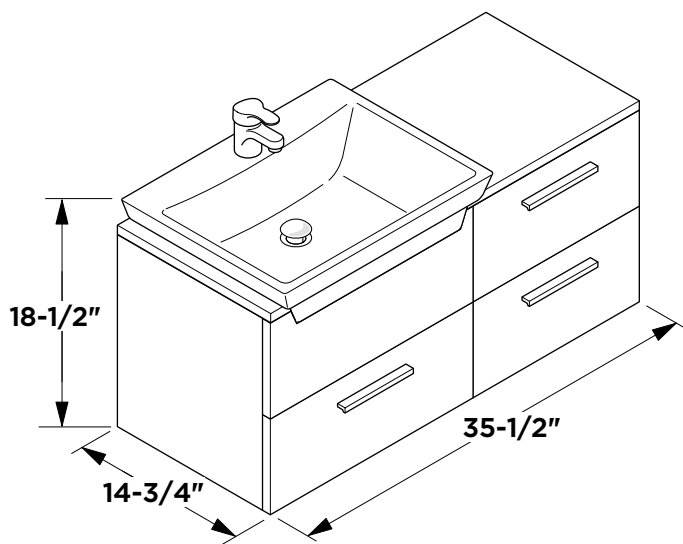
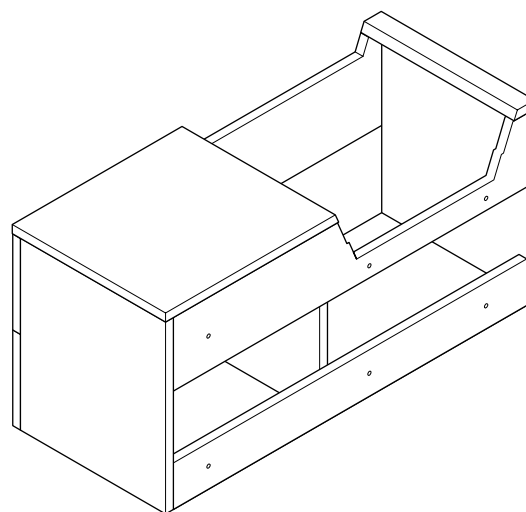


Vanity Front



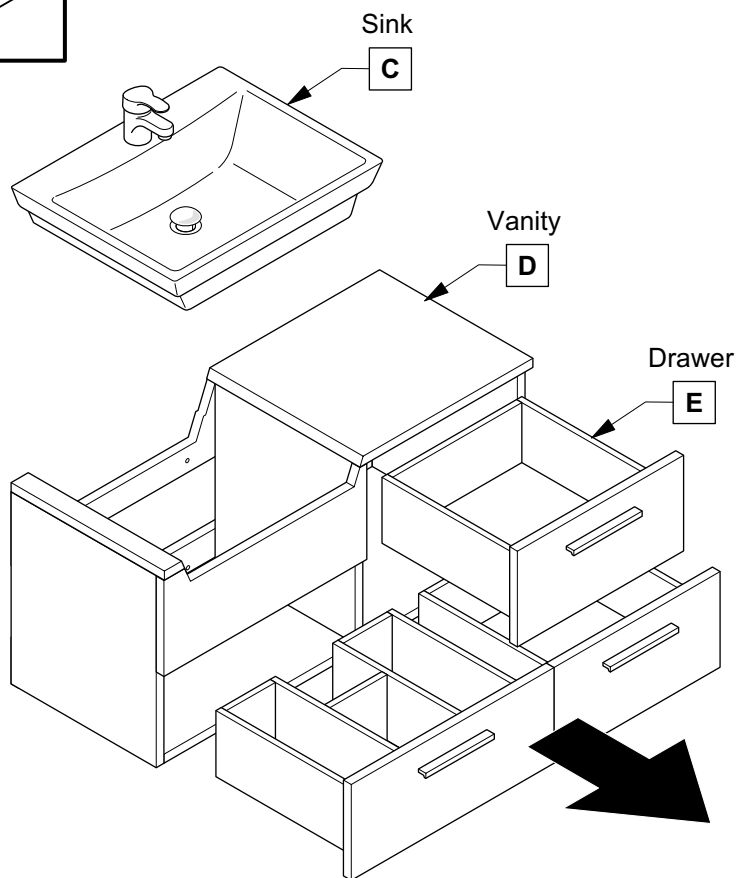
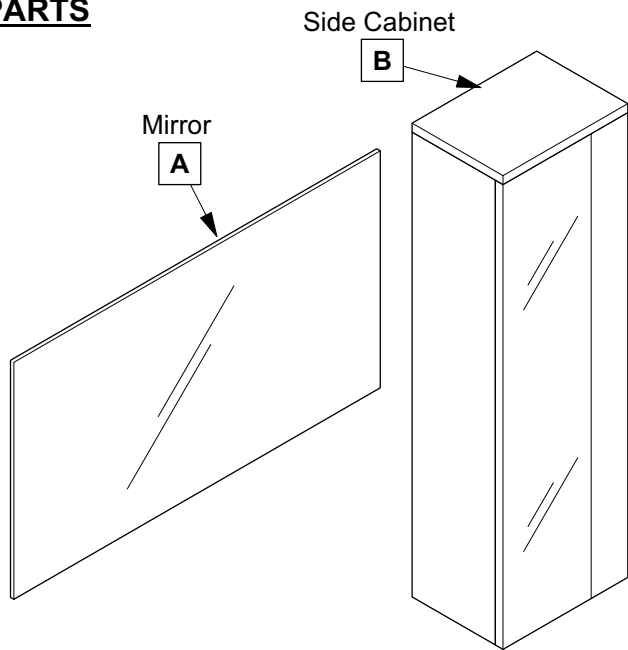
Vanity Back



TOOLS FOR ASSEMBLY

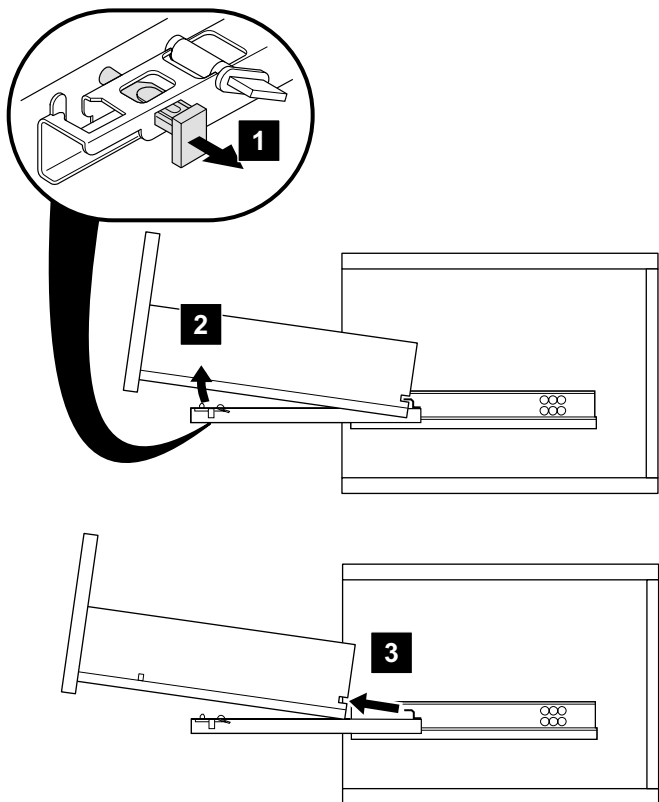


PARTS

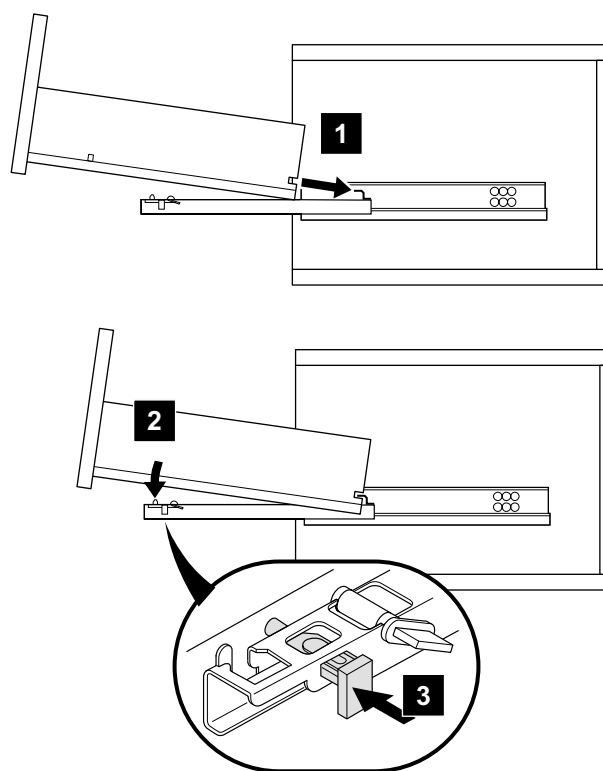


DRAWER REMOVAL & INSTALLATION

REMOVAL

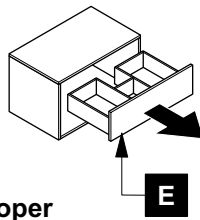


INSTALLATION

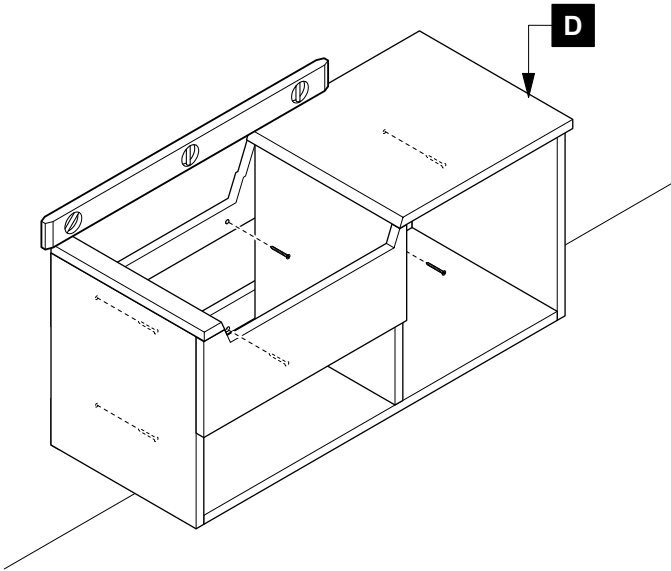


1 Remove drawers (E)

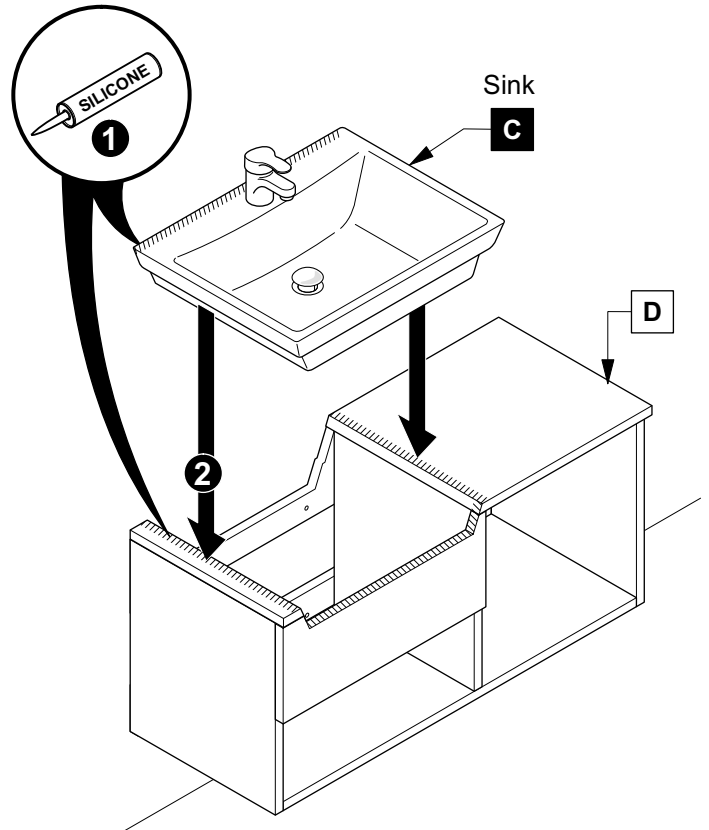
2 Install vanity (D)



IMPORTANT: Consult an expert for the proper screws/bolts to use when attaching to various wall constructions. Screws provided do not attach to all wall construction types.



3 Apply silicone and install sink (C)



4 Install mirror (A)

5 Install side cabinet (B)

IMPORTANT: Consult an expert for the proper screws/bolts to use when attaching to various wall constructions. Screws provided do not attach to all wall construction types.

