



Tot Tutors, Inc.
www.tottutors.com

561 . 995 . 8940
email : info@tottutors.com
6600 West Rogers Circle . Suite 13
Boca Raton . Florida . 33487

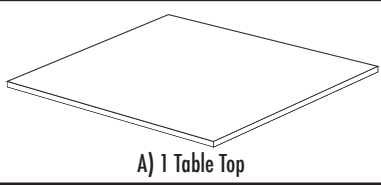
TC714 / TC715 / TC824 Wood Table & 4 Chairs

JAN12HY

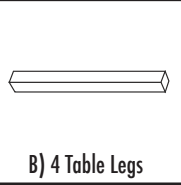
Made in China

Recommended for ages 3 - 8 years

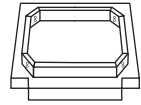
This model is in compliance with ASTM toy safety standard F963 & CPSIA 2008



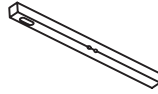
A) 1 Table Top



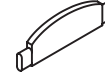
B) 4 Table Legs



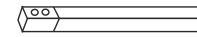
C) 4 Chair Seats



D) 8 Back Chair Legs



E) 4 Chair Back Panels



F) 8 Front Chair Legs



G) 40 Machine
Screws



H) 8 Wood
Screws



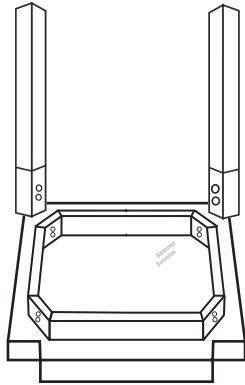
I) 1 Allen
Wrench

Please read instructions completely before assembling. Assemble on a soft, smooth area. Adult assembly required.

! WARNING: CHOKING HAZARD – Small parts NOT for children under 3 years.

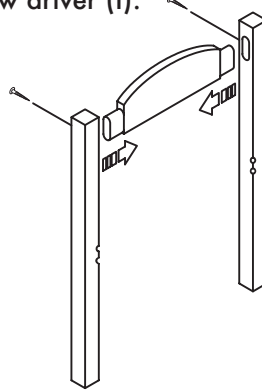
1

Assemble chair seat (C) to 2 front legs (F). Use machine screws (G) to fasten, tighten with wrench (I)



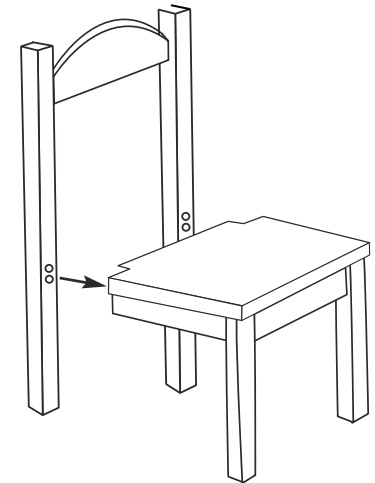
2

Assemble chair back panel (E) to 2 back chair legs (D). Use wood screws (H) to fasten, tighten with screw driver (I).



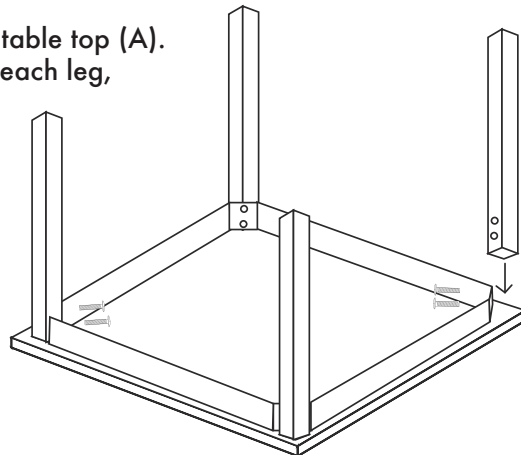
3

Assemble chair back to chair seat (C). Use machine screws (G) to fasten, tighten with wrench (I).



4

Assemble 4 table legs (B) into table top (A). Use 2 machine screws (G) for each leg, tighten with wrench (I).



Cleaning

Use only household soap or mild detergent and warm water. Wipe with damp cloth.

Periodically check for loose screws to avoid accidental injury.

