

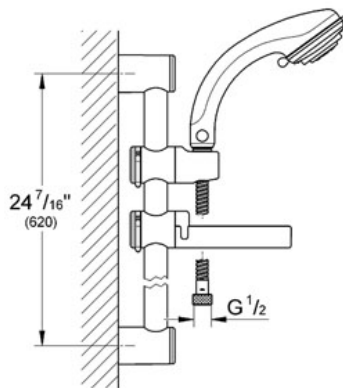
RELEXA PLUS 80 TOP 4 Shower rail set 4 sprays

MODEL # 28617

Pure Freude an Wasser

GROHE

GROHE America, Inc | 200 North Gary Avenue, Suite G, Roselle, IL 60172
Phone: +1 (800) 444-7643 | Fax: +1 (800) 225-2778 | us-customerservice@grohe.com



Product Description: Shower rail set 4 sprays

Standard Specification:

- GROHE StarLight® finish
- SpeedClean anti-lime system
- Relaxa plus Top 4 hand shower (28 179)
- 24" shower bar (28 620)
- Soap dish (28 631)
- Relaxaflex 59" hose (28 105)
- Max Flow Rate 2.5 gpm at 80 psi (9.5 L/min)

Applicable Codes & Standards:

- Energy Policy Act of 1992
- ASME A112.18.1/CSA B125.1

Color:

- 28617 000 chrome