

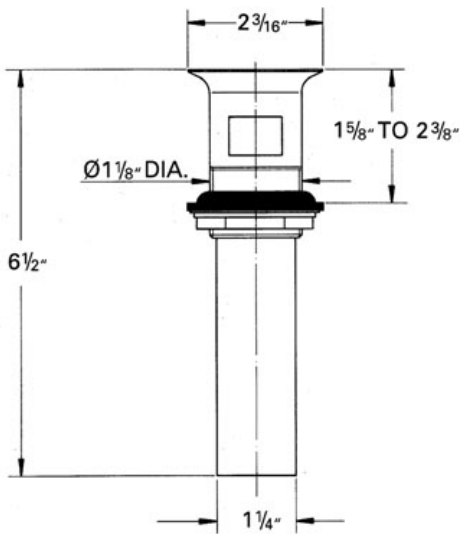
Lavatory Grid Waste

MODEL # 28951

Pure Freude an Wasser



GROHE America, Inc | 200 North Gary Avenue, Suite G, Roselle, IL 60172
Phone: +1 (800) 444-7643 | Fax: +1 (800) 225-2778 | us-customerservice@grohe.com



Product Description:
Lavatory Grid Waste

Standard Specification:
• GROHE StarLight® finish

Color:
□ 28951 000 chrome