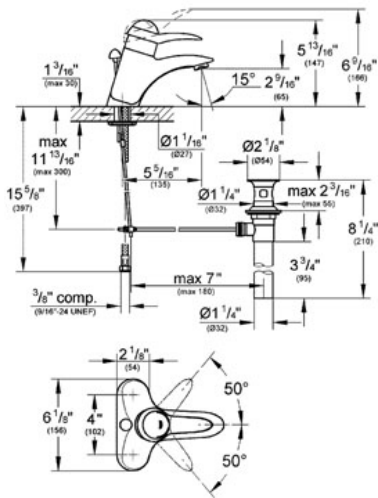


TALIA
Bath Mixer
MODEL # 33121

Pure Freude an Wasser



GROHE America, Inc | 200 North Gary Avenue, Suite G, Roselle, IL 60172
Phone: +1 (800) 444-7643 | Fax: +1 (800) 225-2778 | us-customerservice@grohe.com



Product Description:
Bath Mixer

Standard Specification:

- GROHE SilkMove® ceramic cartridge
- GROHE StarLight® finish
- GROHE WaterCare™
- Optional temperature limiter ref. no. 46 308
- Max Flow Rate 2.5 gpm at 80 psi (9.5 L/min)

Applicable Codes & Standards:

- Energy Policy Act of 1992
- ASME A112.18.1/CSA B125.1
- US Federal and State material regulations

Color:

- 33121 000 chrome
- 33121 EN0 Brushed Nickel

