

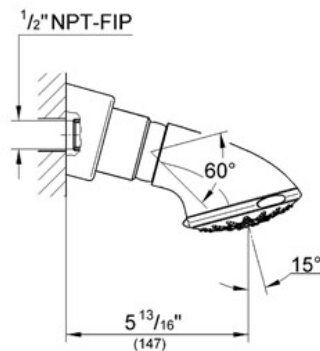
MOVARIO 100 FIVE Head Shower 5 sprays

MODEL # 28521

Pure Freude an Wasser



GROHE America, Inc | 200 North Gary Avenue, Suite G, Roselle, IL 60172
Phone: +1 (800) 444-7643 | Fax: +1 (800) 225-2778 | us-customerservice@grohe.com



Product Description: Head Shower 5 sprays

Standard Specification:

- GROHE StarLight® finish
- With integrated shower arm
- GROHE EcoJoy® 2.4 g flow limiter
- 5 spray patterns: Wide Spray / Needle Jet / Rain / Massage / Champagne
- SpeedClean anti-lime system
- Ball-joint
- Assembly dependent angle of inclination
- 1/2" NPT Female Threads
- Max Flow Rate 2.5 gpm at 80 psi (9.5 L/min)

Applicable Codes & Standards:

- Energy Policy Act of 1992
- ASME A112.18.1/CSA B125.1

Color:

- 28521 000 chrome
- 28521 BE0 Sterling inf
- 28521 EN0 Brushed Nickel

