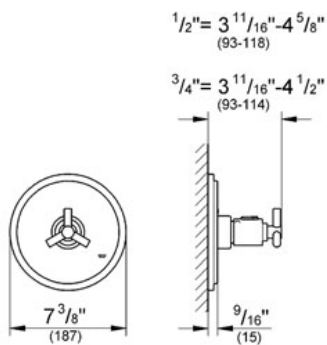


ATRIO  
Central Thermostatic Mixer  
MODEL # 19169

Pure Freude an Wasser



GROHE America, Inc | 200 North Gary Avenue, Suite G, Roselle, IL 60172  
Phone: +1 (800) 444-7643 | Fax: +1 (800) 225-2778 | us-customerservice@grohe.com



**Product Description:**  
Central Thermostatic Mixer

**Standard Specification:**

- For use with GROHTHERM Rough-In Valve 34 331 or 34 397

**Applicable Codes & Standards:**

- Energy Policy Act of 1992
- ASME A112.18.1/CSA B125.1

**Color:**

- 19169 000 chrome
- 19169 EN0 Brushed Nickel