

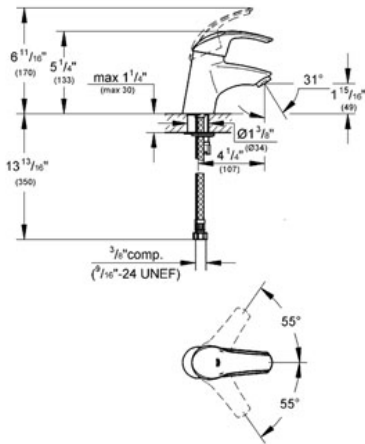
EUROSMART Lavatory Centerset S-Size

MODEL # 32643

GROHE America, Inc | 200 North Gary Avenue, Suite G, Roselle, IL 60172
Phone: +1 (800) 444-7643 | Fax: +1 (800) 225-2778 | us-customerservice@grohe.com

Pure Freude an Wasser

GROHE



Product Description: Lavatory Centerset S-Size

Standard Specification:

- GROHE StarLight® finish
- GROHE SilkMove® ceramic cartridge
- Single hole installation
- Adjustable flow rate limiter
- Flow control
- Smooth body
- Without lift rod and without pop up waste
- Stainless Steel Braided Flexible Supplies
- Quick installation system
- Max Flow Rate 1.5 gpm (5.7 L/min)

Applicable Codes & Standards:

- Energy Policy Act of 1992
- NSF 61
- ASME A112.18.1/CSA B125.1
- US Federal and State material regulations
- EPA WaterSense®
- ICC/ANSI A117.1

Color:

- 32643 001 chrome