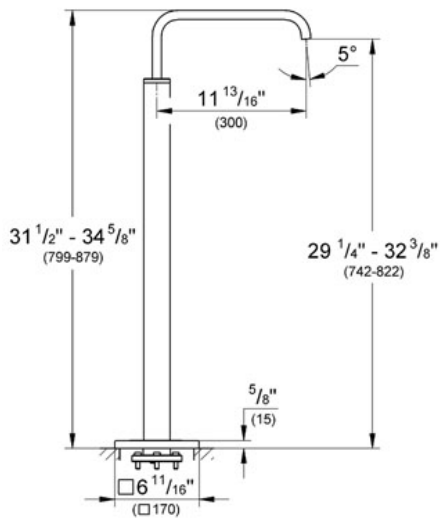
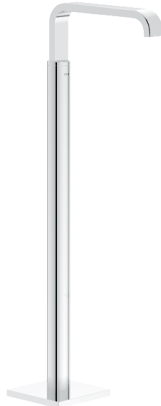


ALLURE
Tub Spout
MODEL # 13218

Pure Freude an Wasser



GROHE America, Inc | 200 North Gary Avenue, Suite G, Roselle, IL 60172
Phone: +1 (800) 444-7643 | Fax: +1 (800) 225-2778 | us-customerservice@grohe.com



Product Description:
Tub Spout

Standard Specification:

- GROHE StarLight® finish
- Floor standing tub filler
- Set for final installation for
- Requires Rough-In Set 29 038 000 (sold separately)
- Projection $11\frac{13}{16}''$
- Spout with flow control
- Total height $35\frac{13}{16}''$
- Min. recommended pressure 14.5 PSI
- Requires 45 984 000 Rough-In
- Max Flow Rate 7 gpm at 45 psi (26.5 L/min)

Applicable Codes & Standards:

- Energy Policy Act of 1992
- ASME A112.18.1/CSA B125.1
- US Federal and State material regulations

Color:

- 13218 000 chrome