

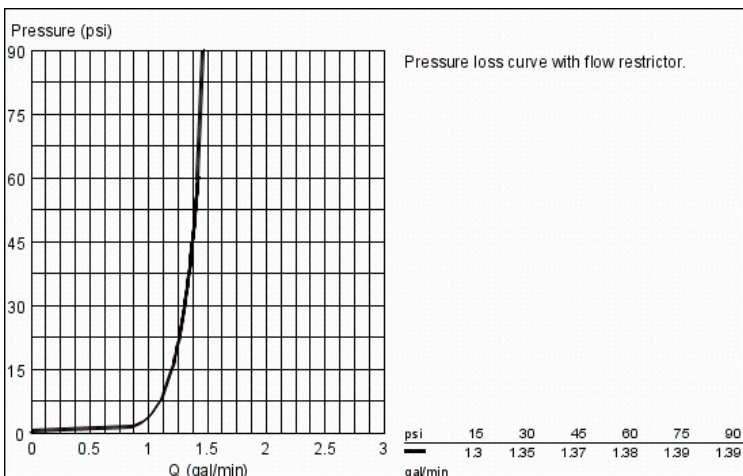
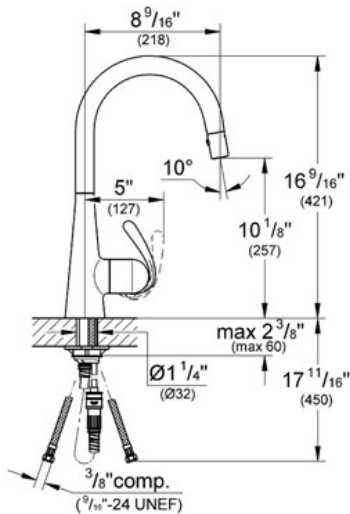
LADYLUX3 PRO

Single-lever sink mixer 1/2"

MODEL # 32226

GROHE America, Inc | 200 North Gary Avenue, Suite G, Roselle, IL 60172
 Phone: +1 (800) 444-7643 | Fax: +1 (800) 225-2778 | us-customerservice@grohe.com

Pure Freude an Wasser



Product Description:

Single-lever sink mixer 1/2"

Standard Specification:

- GROHE EcoJoy® technology for less water and perfect flow
- GROHE SilkMove® ceramic cartridge
- GROHE StarLight® finish
- GROHE SuperSteel Infinity Finish™
- GROHE RealSteel® Stainless Steel Construction produced from 304 stainless steel
- Single hole installation
- Swivel Spout
- Adjustable flow rate limiter
- **Dual Spray Pull-Out**
- Automatic returning
- Integrated non-return valve
- Diverter: aerator/shower jet
- Automatic return to aerator
- Stainless Steel Braided Flexible Supplies
- Quick installation system
- **SpeedClean** anti-lime system
- **Protected against backflow**
- Max Flow Rate 1.5 gpm (5.7 L/min)

Applicable Codes & Standards:

- Energy Policy Act of 1992
- NSF 61
- ASME A112.18.1/CSA B125.1
- US Federal and State material regulations
- CalGreen

Color:

- 32226 000 chrome
- 32226 00E laser
- 32226 DC0 supersteel
- 32226 SDE stainless steel
- 32226 SD0 GROHE RealSteel®
- 32226 DCE supersteel